

## Factory Certificate DECLARATION OF CONFORMITY

Remscheid, 15.11.2022

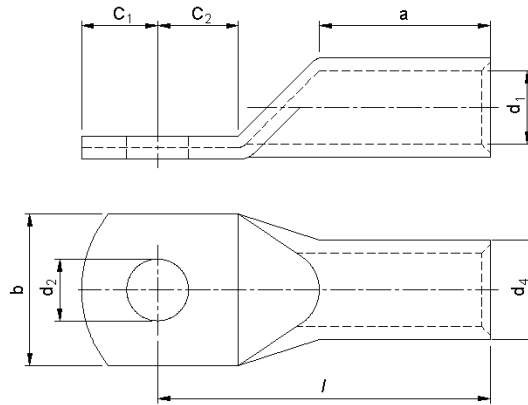
Product: tubular compression cable lugs DIN  
Product line: around the cable  
Art.-no.: 292770 - 292824  
Size: from 35 mm<sup>2</sup> to 500 mm<sup>2</sup>  
Norm: according to DIN 46329  
Surface: bright  
Material: Aluminium 99,5 %  
mechanical properties: A correct connection according VDE 0220 Part 2 is only guaranteed if the user work with Haupa cable lugs and also adequate Haupa pressing tools  
remark: RoHS-conform (EU-directive 2011/65/EU)

We, Haupa GmbH & Co KG, with the main Headquarter in 42853 Remscheid/Germany, Königstrasse 165-169, declare under our sole responsibility that the products mentioned in the data sheet complies with the European Standards or Standard Documentations according to the regulations of the following mentioned directives:  
Directive 2014/35/EU

**CE**

HAUPA GmbH & Co.KG  
Productmanagement





**Cable lugs AL**  
**DIN 46 329**

Art.-Nr.	mm <sup>2</sup>	M	Dimension mm									
			d <sub>1</sub>	a	b	d <sub>2</sub>	d <sub>4</sub>	c <sub>1</sub>	c <sub>2</sub>	l	J	s
29 27 70	35	10	8	42	25	10,5	14	12,5	15,5	62	74,5	4
29 27 72	35	12	8	42	25	13	14	12,5	15,5	62	74,5	4
29 27 74	50	10	9,8	42	25	10,5	16	12,5	15,5	62	74,5	5,5
29 27 76	50	12	9,8	42	25	13	16	12,5	15,5	62	74,5	5,5
29 27 78	70	10	11,2	52	25	10,5	18,5	12,5	15,5	72	84,5	5,5
29 27 80	70	12	11,2	52	25	13	18,5	12,5	15,5	72	84,5	5,5
29 27 82	95	10	13,2	56	25	10,5	22	12,5	15,5	75	87,5	6
29 27 84	95	12	13,2	56	25	13	22	12,5	15,5	75	87,5	6
29 27 86	120	12	14,7	56	25	13	30	15	20	80	95	7,5
29 27 88	120	16	14,7	56	30	17	30	15	20	80	95	7,5
29 27 90	150	10	16,3	60	30	10,5	30	15	20	90	105	8
29 27 92	150	12	16,3	60	30	13	30	15	20	90	105	8
29 27 94	150	16	16,3	60	30	17	30	15	20	90	105	8
29 27 96	185	10	18,3	60	30	10,5	30	15	20	91	106	8
29 27 98	185	12	18,3	60	30	13	30	15	20	91	106	8
29 28 00	185	16	18,3	60	30	17	30	15	20	91	106	8
29 28 02	240	12	21	70	38	13	38	19	24	103	122	11
29 28 04	240	16	21	70	38	17	38	19	24	103	122	11
29 28 06	240	20	21	70	38	21	38	19	24	103	122	11
29 28 08	300	12	23,3	70	38	13	38	19	24	103	122	13
29 28 10	300	16	23,3	70	38	17	38	19	24	103	122	13
29 28 12	300	20	23,3	70	38	21	38	19	24	103	122	13
29 28 14	400	12	26	73	38	13	38	19	24	116	135	14
29 28 16	400	16	26	73	38	17	38	19	24	116	135	14
29 28 18	400	20	26	73	38	21	38	19	24	116	135	14
29 28 20	500	12	29	79	44	13	44	22	24	122	144	15
29 28 22	500	16	29	79	44	17	44	22	240	122	144	15
29 28 24	500	20	29	79	44	21	44	22	24	122	144	15

