

**NS 16 OZ AL (480 004)**

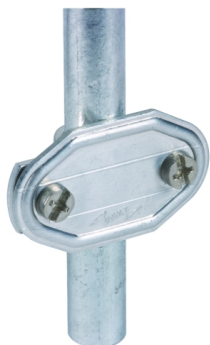
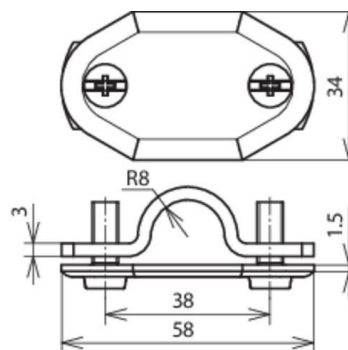


Figure without obligation



Type	NS 16 OZ AL
Part No.	480 004
Material	Al
Clamping range Rd	16 mm
Screw	⚙️ M6 x 16 mm
Material of screw	StSt
Standard	DIN 48821
Weight	26 g
Customs tariff number (Comb. Nomenclature EU)	83100000
GTIN	4013364035355
PU	50 pc(s)

We reserve the right to introduce changes in performance, configuration and technology, dimensions, weights and materials in the course of technical progress. The figures are shown without obligation.

All number plates are available with different numbers or lettering on request!