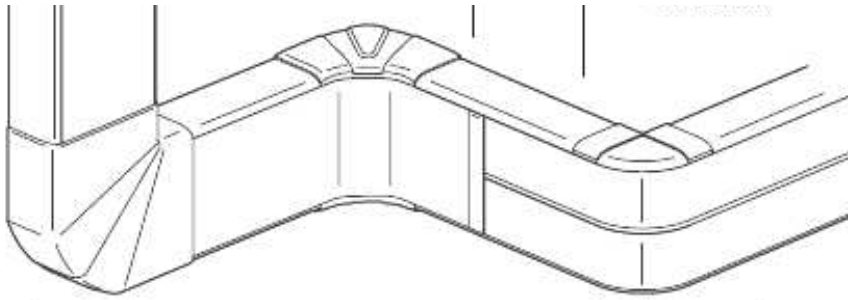


## DLP PVC trunking & accessories

Number(s) : 10411/12/21 à 23/24/27/32/33/52/53/59/62/67, 10472/73, 10520 à 22/24/26/82/83/84, 10601 à 03/05 à 07/19/21, 10623/35/36/38/39/50/58/91/92/95/96, 10700 à 03/05 à 08/10/11 10722/35 à 40/63 à 65/67/84 à 86/89/90/92, 10793/95/96/98, 10800 à 02/04/06, 30698, 30897/99, 30949



CONTENTS	PAGES
1. Range	1 to 3
2. Finishing Accessories	3 to 7
3. Complementary Accessories	8 to 9
4. Supports	10 to 13
5. Accessories	14 to 17
6. Technical characteristics	18
7. Material characteristics	19

### 1. RANGE

DLP PVC trunking offers:

- the distribution, the protection and the derivation of various cables in an electrical installation.
- trunkings, finishing accessories (end, joint of lid, joint of body, interior angle, exterior angle, flat angle, derivation)
- all the easy ways/advantages for the installation.
- to comply with the norm EN 50085-2-1, safety and technical performance.
- a flexibility with the installation and maintenance:

Available in length of 2m.

Fixing by:

- joining (cartridge of adhesive neoprene for glue gun ref. 30949)
- wall plugs for immediate fixing (without screw nor nail ref. 30899)
- DLP rapid wall plug ref. 30897 (for 10 mm min. plasterboard walls at least 20 mm away from a concrete surface. For fixing DLP plastic trunking in a single operation.
- Spit end (the fast fixing of sections ref. 10695 allows)
- screw, nails...

For cutting all plastic bodies, use a saw or a DLPlus cutting unit for PVC DLP (ref.30698)

Possibility of adapting removable separations.

White color RAL 9003

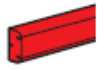


Assembly of the body and covers by clips (disassembling with the assistance tool ex: screwdriver)

### 1. RANGE (continued)

#### 1.1. Full assembled DLP trunking (suite)

Full assembled trunking :

Supplied with flexible cover(s) 65 mm wide.

TRUNKING			
Number of compartments	Covers width (mm)	Dimensions (mm)	Body and covers complete
1 	65	50 x 80	104 62
	65	50 x 105	104 24
2 	65 65	50 x 150	104 27
3 	40 65 40	50 x 170	104 67

# DLP PVC trunking & accessories

Number(s) : 10411/12/21 à 23/24/27/32/33/52/53/59/62/67, 10472/73, 10520 à 22/24/26/82/83/84, 10601 à 03/05 à 07/19/21, 10623/35/36/38/39/50/58/91/92/95/96, 10700 à 03/05 à 08/10/11 10722/35 à 40/63 à 65/67/84 à 86/89/90/92, 10793/95/96/98, 10800 à 02/04/06, 30698, 30897/99, 30949




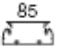

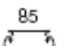
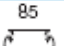
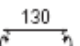
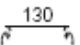
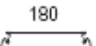
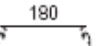

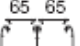
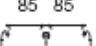
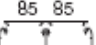
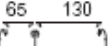
## 1. RANGE (continued)

### 1.2. Adaptable DLP trunking

System to be composed according to the specificities of the building site.

Available in length of 2m without cover.

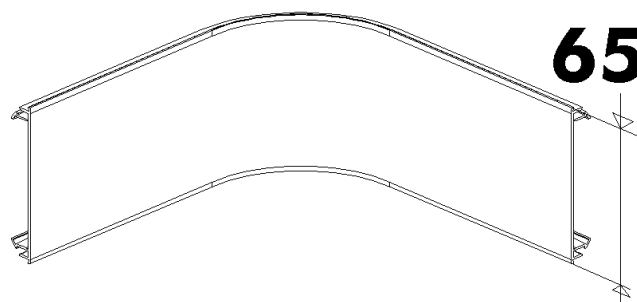
Universal applications, open solutions (assembly of the Mosaic program, Programs Plexo, Hypra, Lexic etc...)

TRUNKING			Bodies
Number of compartments	Cover(s) width (mm)	Dimensions (mm)	
	 65	35 x 80	104 11
	 85	35 x 105	104 21
	 65	50 x 80	104 12
	 85	50 x 105	104 22
	 85	65 x 105	104 23
	 130	50 x 150	104 32
	 130	65 x 150	104 33
	 180	50 x 195	104 52
	 180	65 x 195	104 53
		 65 65	65 x 150
 85 85		50 x 195	104 52
 85 85		65 x 195	104 53
 65 130		65 x 220	104 59

## 1. RANGE (continued)

### 1.3. Covers

Exemple with cover 10521 :



Covers available in length of 2m.

Cut out using a saw (standard hacksaw) and of a cut box (ref. 30698)

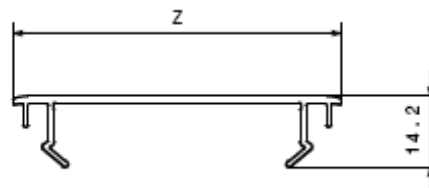
- fixes itself on the whole of the trunking including in the interior/exterior angles (it follows the configuration of the building site).

- clips easy even in the angles and déclipage using a tool to preserve the safety of the installation.

- the flexible cover of offer DLP make it possible to obtain a system more evolutionary, flexible, with a new aesthetics and allowing a perfect separation of the currents.

White color RAL 9003

Dimensions :



References	Z(mm)	thickness
10520	40	1.5mm
10521	65	1.5mm
10522	85	1.5mm
10524	130	1.8mm
10526	180	1.9mm

Assembly bodies-covers by clips (disassembling using a tool e.g.: screwdriver)

# DLP PVC trunking & accessories

Number(s) : 10411/12/21 à 23/24/27/32/33/52/53/59/62/67, 10472/73, 10520 à 22/24/26/82/83/84, 10601 à 03/05 à 07/19/21, 10623/35/36/38/39/50/58/91/92/95/96, 10700 à 03/05 à 08/10/11 10722/35 à 40/63 à 65/67/84 à 86/89/90/92, 10793/95/96/98, 10800 à 02/04/06, 30698, 30897/99, 30949

## 1. RANGE (continued)

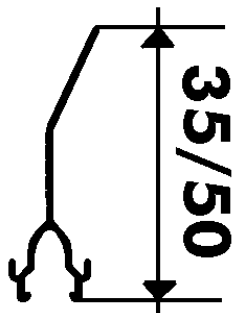
### 1.4. Separations

Separation partition ref. 10582/83/84

Delivered in length of 2m  
White Color.

For the separation of various types of currents allows (sector, telephone, data processing...)  
Assembly with the body by clips and by gluing resing for ref. 10584

Pack by 16m for ref 10584  
Pack by 24m for ref 10582  
Pack by 48m for ref 10583



ref 10582

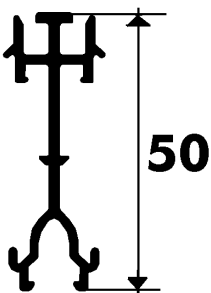
References	Use with ref
10582	10412/21/22/24/27/28/32/62/67/70
10583	10433/53/59
10584	10411/21

Division partition ref. 10472/73

Available in length of 2m  
White color RAL 9003

For the separation of various types of currents allows (sector, telephone, data processing...)  
Assembly with the body by clips.

Pack by 48m for ref 10472  
Pack by 36m for ref 10473

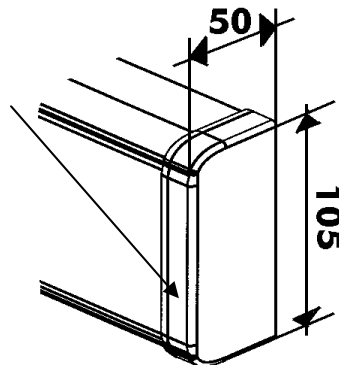


ref 10472

References	Use with ref
10472	10422/32/70
10473	10433/53/59

## 2. FINISHING ACCESSORIES

### 2.1. End cap ref.10700/01/02/03/05/06/07/08/10/11/22



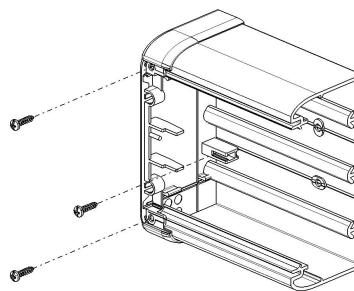
White color RAL 9003

Allows to block the end of the body:

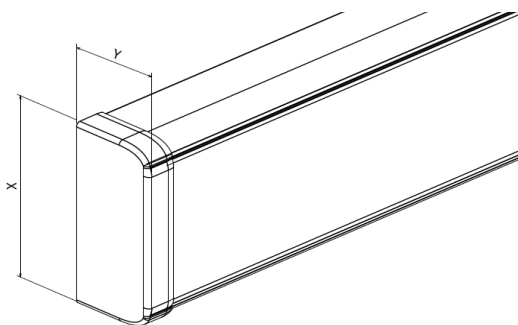
- respect of the protection degree
- improvement of aesthetics (covering of the cut)
- left or right end cap

Assembly on the body by fitment and screwing.

The end cap is delivered with a screw and of a part of closing



Dimensions.



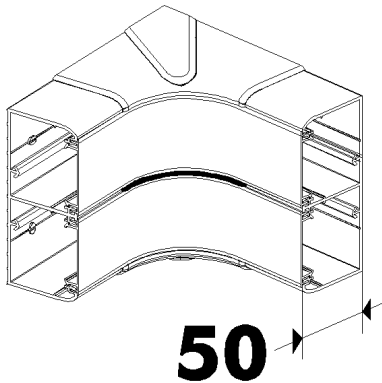
References	X(mm)	Y(mm)	Use with ref
10700	105	50	10424
10701	105	35	10421
10702	105	50	10422
10703	150	50	10432/27
10705	220	50	10428
10706	150	65	10433
10707	195	65	10453
10708	220	65	10459
10710	170	50	10467
10711	195	50	10470
10722	80	35/50	10411/12/62

# DLP PVC trunking & accessories

Number(s) : 10411/12/21 à 23/24/27/32/33/52/53/59/62/67, 10472/73, 10520 à 22/24/26/82/83/84, 10601 à 03/05 à 07/19/21, 10623/35/36/38/39/50/58/91/92/95/96, 10700 à 03/05 à 08/10/11 10722/35 à 40/63 à 65/67/84 à 86/89/90/92, 10793/95/96/98, 10800 à 02/04/06, 30698, 30897/99, 30949

## 2. FINISHING ACCESSORIES (continued)

2.2. Internal angle ref. 10601/02/03/05/06/07/50/58



White color RAL 9003

The two pieces junction in the interior angle:

- avoid the cut of miter on the trunking
- respect of the degree protection
- aesthetics improves (covering of the cut and not or little extra thickness)

Assembly on the body by clipsage.

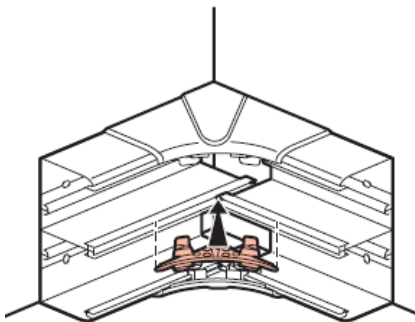
The internal angles thus ensure the continuity of the flexible cover on the angles and do not require cut of cover, and keep aesthetics. Variable internal angles of 80 with 100°.

The interior angles are delivered with:

- 1 element to some extent high
- 1 element to some extent low part

To simplify the offer, some references of angles are delivered with junctions of partition (in the case as of profiled with several compartments).

The internal angles are delivered with 2 elements (ex: for trunking 1 compartment) or with 3 elements (ex: for trunking 2 compartments with partition junction)

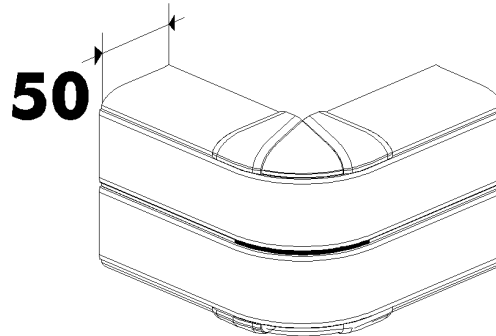


References	X(mm)	Partition junction	Use with ref
10601	35	0	10411/21
10602	50	0	10412/22/32/62
10603	65	0	10433/53
10605	50	0	10424
10606	50	1	10427/70
10607	65	1	10433/53/59
10650	50	2	10428/67
10658	65	2	10453/59

The supports of equipment should not be installed at least with 100mm on each side of the edge of the angles.

## 2. FINISHING ACCESSORIES (continued)

2.3. External angle ref. 10619/21/22/23/35/36/38/39



White color RAL 9003

The junction in exterior angle of two pieces of the same section:

- avoid the cut of miter on the trunking
- respect of the degree protection
- aesthetics improves (covering of the cut and not or little extra thickness)

Assembly on the body by clipsage.

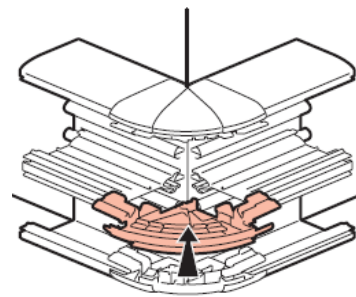
The external angles thus ensure the continuity of the flexible cover on the angles and do not require cut of cover, and keep aesthetics. Variable external angles of 60 with 120°.

The external angles are delivered with:

- 1 element to some extent high
- 1 element to some extent low part

To simplify the offer, some references of angles are delivered with junctions of partition (in the case as of profiled with several compartments).

The external angles are delivered with 2 elements (ex: for trunking 1 compartment) or with 3 elements (ex: for trunking 2 compartments with partition junction)



References	X(mm)	Partition junction	Use with ref
10619	50	0	10424
10621	35	0	10411/21
10622	50	0	10412/22/32/62
10623	65	0	10433/53
10635	50	1	10427/70
10636	65	1	10433/53/59
10638	50	2	10428/67
10639	65	2	10453/59

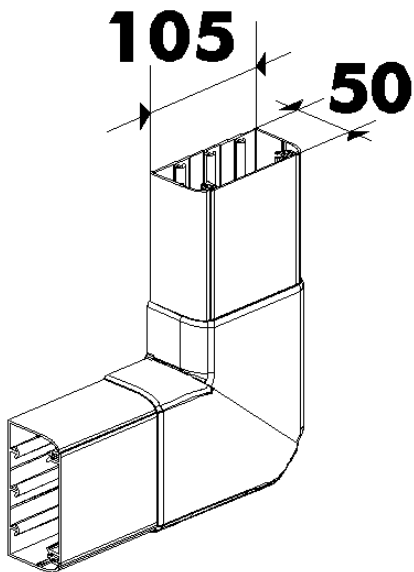
The supports of equipment should not be installed at least with 100mm on each side of the edge of the angles.

# DLP PVC trunking & accessories

Number(s) : 10411/12/21 à 23/24/27/32/33/52/53/59/62/67, 10472/73, 10520 à 22/24/26/82/83/84, 10601 à 03/05 à 07/19/21, 10623/35/36/38/39/50/58/91/92/95/96, 10700 à 03/05 à 08/10/11 10722/35 à 40/63 à 65/67/84 à 86/89/90/92, 10793/95/96/98, 10800 à 02/04/06, 30698, 30897/99, 30949

## 2. FINISHING ACCESSORIES (continued)

2.4. Flat angle ref.10767/84/85/86/89/90/92/93/95/96/98



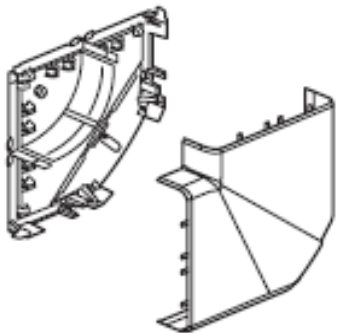
White color RAL 9003

The junction in flat angle of two same sections allows:

- avoid the cut of miter on the trunking
  - respect of the degree protection
  - the distribution of the various currents preserves
  - aesthetics (covering of the cut) improves
- Assembly on the body by clipsage.

Flat angles are variable (85° to 95°)

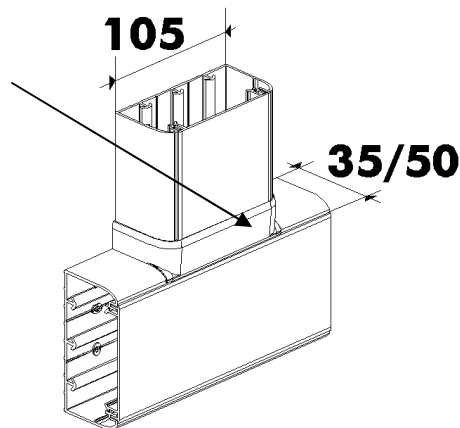
The flat angles are delivered with 2 elements:



References	Trunking	Use with ref
10767	80x35/50	10411/12/62
10784	105x35	10421
10785	105x50	10422
10786	105x50	10424
10789	150x50	10427/32
10790	150x65	10433
10792	195x50	10470
10793	195x65	10453
10795	220x50	10428
10796	220x65	10459
10798	170x50	10467

## 2. FINISHING ACCESSORIES (continued)

2.5. Flat junction ref.10735/36/37/38/39/40



- 10735 : To tap-off to an 80 mm wide trunking
- 10736 : To tap-off to an 105 mm wide trunking equipped with an 85 mm cover
- 10737 : To tap-off to an 105 mm wide trunking equipped with an 65 mm cover
- 10738 : To tap-off to an 105 mm wide and 50 mm deep trunking.
- 10739 : To tap-off to an 80 mm wide branch.
- 10740 : To tap-off to an 105 mm wide branch.

White color RAL 9003

The junction in "T" allows.

- respect of the degree protection
  - aesthetics (covering of the cut) improves
- Assembly on the body by clipsage

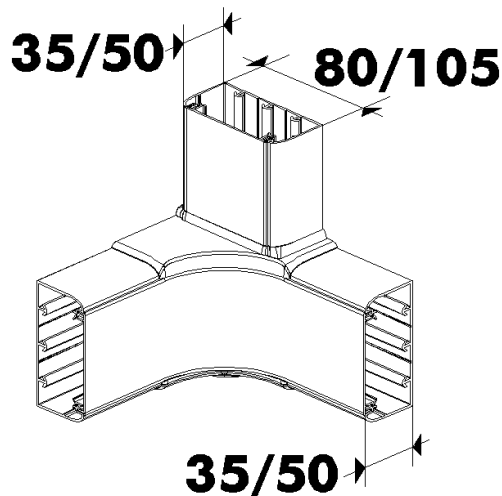
References trunking	To tap-off to an 80 mm wide trunking	To tap-off to an 105 mm wide trunking
10462	10735	-
10424	10739	10740
10427	10735	10736/37
10428	10735	10736/37
10411	10735	-
10412	10735	-
10421	10735	10736
10422	10735	10736/37
10432	10735	10736/37
10433	10733	10738
10453	10733	10738
10459	10733	10738
10467	10735	10736/37
10470	10735	10736/37

# DLP PVC trunking & accessories

Number(s) : 10411/12/21 à 23/24/27/32/33/52/53/59/62/67, 10472/73, 10520 à 22/24/26/82/83/84, 10601 à 03/05 à 07/19/21, 10623/35/36/38/39/50/58/91/92/95/96, 10700 à 03/05 à 08/10/11 10722/35 à 40/63 à 65/67/84 à 86/89/90/92, 10793/95/96/98, 10800 à 02/04/06, 30698, 30897/99, 30949

## 2. FINISHING ACCESSORIES (continued)

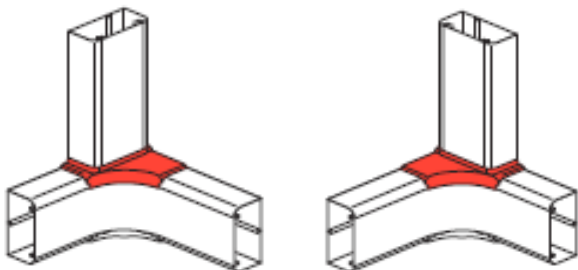
2.6. Angled junction ref. 10763/64/65.



Angled junction (to be associated with the interior angles)

- the distribution of the various currents preserves
  - respect of the degree protection
  - aesthetics (covering of the cut) improve
- Assembly on the body by clipsage.  
White color RAL 9003

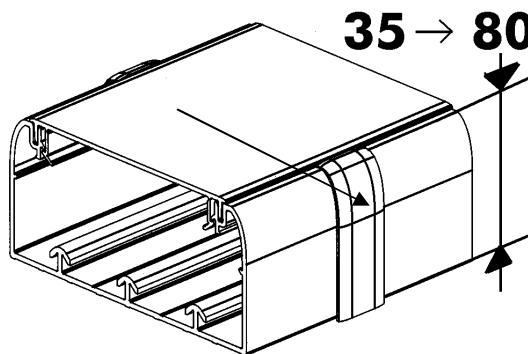
Assembly in angle on wall left-hand side ⇒ trunkings 50x80mm or 50x105mm.  
Assembly in angle on wall right-hand side ⇒ trunkings 50x80mm or 50x105mm.



References trunking	Angled junction	Internal angle
10462	10763	10602
10424	10765	10605
10427	10763	10606
10428	10763	10650
10411	10763	10601
10412	10763	10602
10421	10763	10601
10422	10763	10602
10432	10763	10602/06
10433	10764	10603/07
10453	10764	10603/07/58
10459	10764	10607/58
10467	10763	10650
10470	10763	10606

## 2. FINISHING ACCESSORIES (continued)

2.7. Body joint ref. 10691/92/96

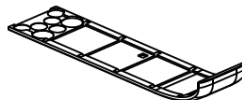


White color RAL 9003

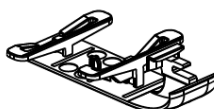
Allows:

- the junction end to end of two same section
  - respect of the degree protection
  - to improve aesthetics (covering of the cut)
  - fixing by adhesive, poses at the end of the installation
- to aligne bases during installation (ref. 10691) and (ref.10696 for trunking 105x50 with cover 65mm)
  - to fit at the end of installation (ref. 10692)

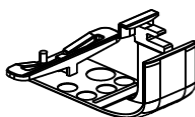
Ref 10692, body joint, attached with adhesive :



Ref 10691, body joint (for aligning bases during installation)



Ref 10696, body joint (for aligning bases during installation for trunking 105x50 equipped with cover65mm) :

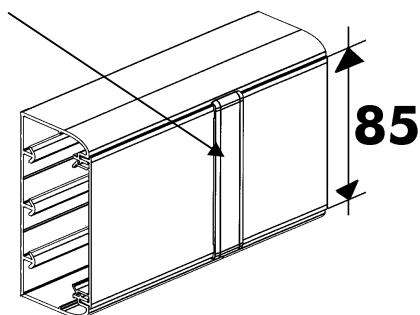


# DLP PVC trunking & accessories

Number(s) : 10411/12/21 à 23/24/27/32/33/52/53/59/62/67, 10472/73, 10520 à 22/24/26/82/83/84, 10601 à 03/05 à 07/19/21, 10623/35/36/38/39/50/58/91/92/95/96, 10700 à 03/05 à 08/10/11 10722/35 à 40/63 à 65/67/84 à 86/89/90/92, 10793/95/96/98, 10800 à 02/04/06, 30698, 30897/99, 30949

## 2. FINISHING ACCESSORIES (continued)

2.8. Cover joint ref. 10800/01/02/04/06.



White color RAL 9003

Allows:

- the junction end to end of two covers
  - respect of the degree protection
  - to improve aesthetics (covering of the cut)
- Assembly of the joint by clips

Pack by 10

Assembly of the cover joint by clips of the two parts

References	Covers	Use with ref
10800	40	10520
10801	65	10521
10802	85	10522
10804	130	10524
10806	180	10526

## 2. FINISHING ACCESSORIES (continued)

2.9 Sockets :

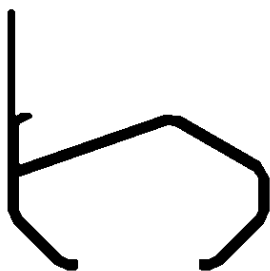
MOSAIC SOCKETS OUTLETS - AUTOMATIC TERMINALS GERMAN STANDARD				
		Standard	Red	Tamperproof
2P+E, 2 modules		774 01	-	774 21
2 x 2P+E, 4 modules		774 02	774 12	774 22
3 x 2P+E, 6 modules		774 03	774 13	774 23
4 x 2P+E, 8 modules		774 04	-	774 24
MOSAIC SOCKETS OUTLETS - SCREW TERMINALS GERMAN STANDARD				
		Standard	Red	Tamperproof
2P+E, 2 modules		776 01	-	776 21
2 x 2P+E, 4 modules		776 02	776 12	776 22
3 x 2P+E, 6 modules		776 03	776 13	776 23
4 x 2P+E, 8 modules		776 04	-	776 24

# DLP PVC trunking & accessories

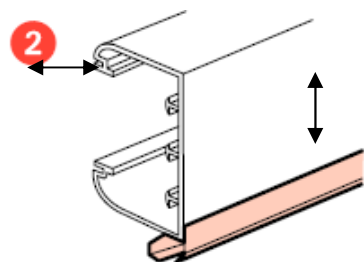
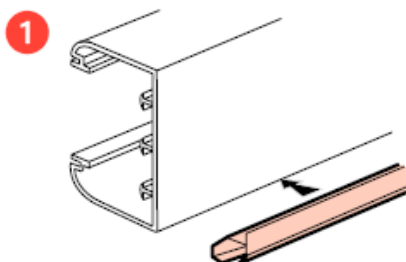
Number(s) : 10411/12/21 à 23/24/27/32/33/52/53/59/62/67, 10472/73, 10520 à 22/24/26/82/83/84, 10601 à 03/05 à 07/19/21, 10623/35/36/38/39/50/58/91/92/95/96, 10700 à 03/05 à 08/10/11 10722/35 à 40/63 à 65/67/84 à 86/89/90/92, 10793/95/96/98, 10800 à 02/04/06, 30698, 30897/99, 30949

## 3. COMPLEMENTARY ACCESSORIES.

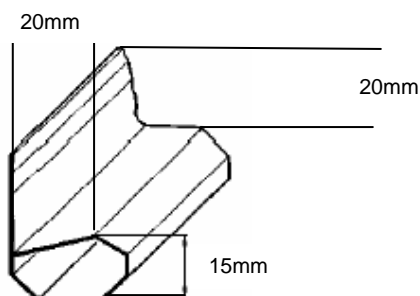
### 3.1 Height spacer ref 10580



Available in length of 2 m, colour: charcoal grey.  
Allows to use the trunking on the ground



Dimensions.



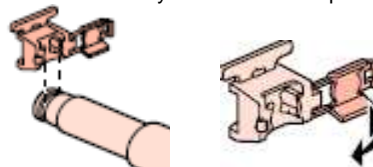
## 3. COMPLEMENTARY ACCESSORIES (continued)

### 3.2 Spit end cap ref.10695.

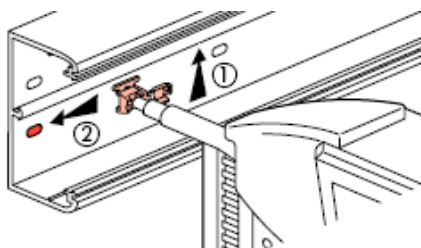
For rapid fixing of the trunking with the Spit Pulsa 700 (use 20mm Spit nails)

The adapter has a shutter making it possible to hide the nail after fixing.

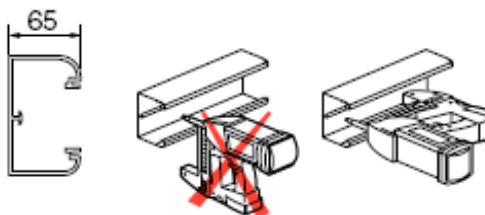
Fixes itself directly on the nose of Spit Pulsa 700.



For a perfect centering of the point, to make slip the adapter to the pastille until blocking.



Attention for fixing in height 65mm, it is necessary to incline the Spit Pulsa.





# DLP PVC trunking & accessories

Number(s) : 10411/12/21 à 23/24/27/32/33/52/53/59/62/67, 10472/73, 10520 à 22/24/26/82/83/84, 10601 à 03/05 à 07/19/21, 10623/35/36/38/39/50/58/91/92/95/96, 10700 à 03/05 à 08/10/11 10722/35 à 40/63 à 65/67/84 à 86/89/90/92, 10793/95/96/98, 10800 à 02/04/06, 30698, 30897/99, 30949

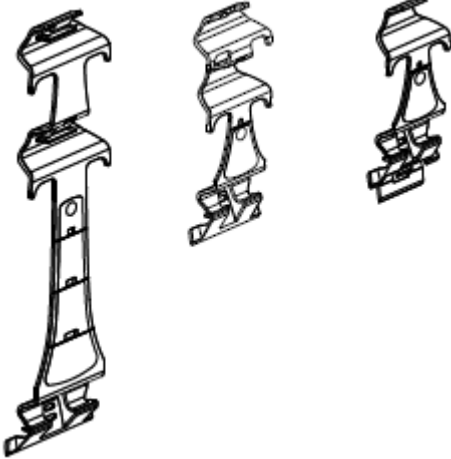
## 3. COMPLEMENTARY ACCESSORIES (continued)

### 3.3 Clip ref. 10681/82/86

Ref 10686

Ref10682

Ref 10681



Allows:

- to retain the cables inside the trunking

Assembly of the clip by clips inside the body of the trunking

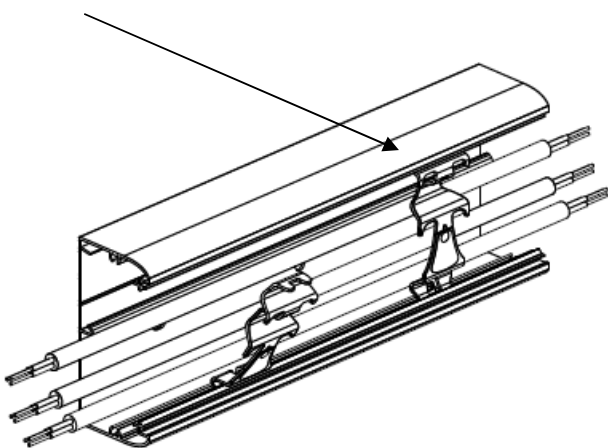
References	Covers
10681	65mm
10682	40/65/85mm
10686	130/180mm

Grey Colour.

Warning with the use of the ref. 10681:

To use only with the trunking ref. 10424 (it is not possible to cut clip ref. 10682 in position cover 65mm and to assemble it in this one)

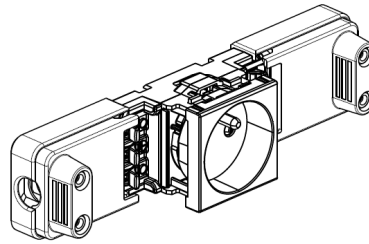
The clip maintains the cables in the trunking at the end of the installation



The clip is fixed on the chute making it possible to retain the cables under installation

## 3. COMPLEMENTARY ACCESSORIES (continued)

### 3.4 End cap of connection ref.89807.

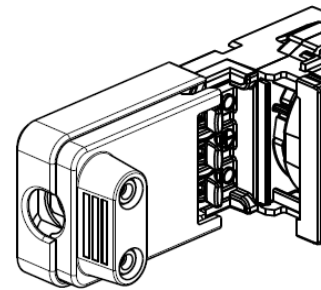


Positions at the end of all the sockets 2P+T with bilateral connection for DLP

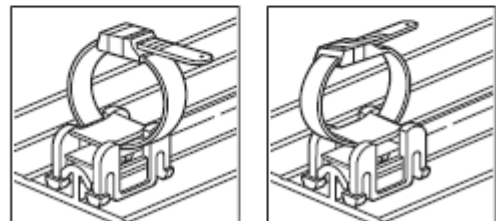
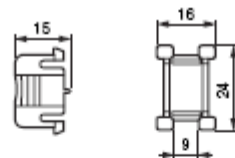
Material ABS

Provide the function cable clamp using 2 screws  
Ensure the protection of connections

Dimensions :



### 3.5 Base for clamp ref 30881



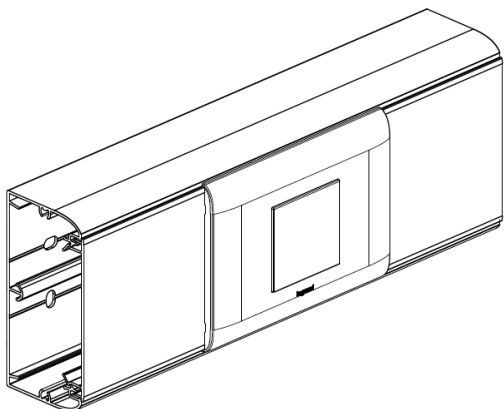
For more information concerning reference 30881, to see data sheet N° F00139FR/07

# DLP PVC trunking & accessories

Number(s) : 10411/12/21 à 23/24/27/32/33/52/53/59/62/67, 10472/73, 10520 à 22/24/26/82/83/84, 10601 à 03/05 à 07/19/21, 10623/35/36/38/39/50/58/91/92/95/96, 10700 à 03/05 à 08/10/11 10722/35 à 40/63 à 65/67/84 à 86/89/90/92, 10793/95/96/98, 10800 à 02/04/06, 30698, 30897/99, 30949

## 4. SUPPORTS.

### 4.1 Supports for Mosaic ref. 10952/54/56/58/92/94/96/98



Supports delivered with finishing plate in white colour.

White color RAL 9003

Allows:

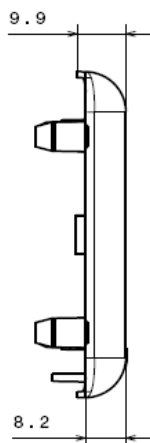
- the assembly on trunking equipped with lid 65mm or 85mm of Mosaic sockets for trunking of 3/2/4 /6/8 modules.
- the assembly of the Mosaic sockets 2 modules French standard in horizontal position and vertical with supports 10952 and 10992 (only horizontal for the other supports)

Use of the Mosaic supports according to the covers of trunking:

	Supp 2 mod.	Supp 4 mod.	Supp 6 mod.	Supp 8 mod.
CV 65 mm	10952	10954	10956	10958
CV 85 mm	10992	10994	10996	10998

Dimensions :

Thickness plates

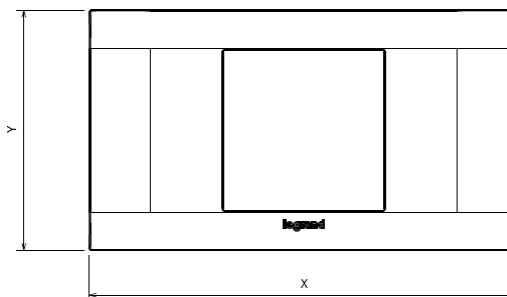


## 4. SUPPORTS (continued)

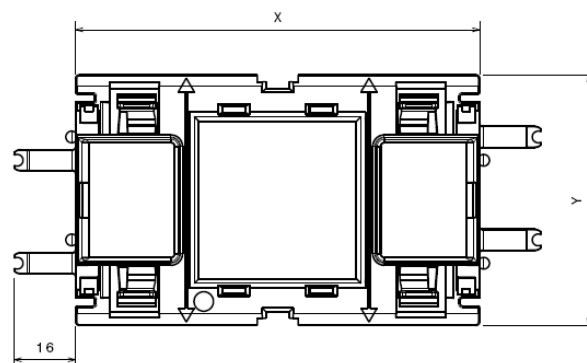
### 4.1 Supports for Mosaic ref. 10952/54/56/58/92/94/96/98

Dimensions :

Plate :



Support :



For cover 65mm.

Y (mm) = the plates width 67.5mm, the supports width 64.5mm.

	2 mod. 10952	4 mod. 10954	6 mod. 10956	8 mod. 10958
support X(mm)	104	149.2	194.4	239.6
plate X(mm)	120	165.2	210.4	255.6

For cover 85mm.

Y (mm) = the plates width 90mm, the supports width 87mm.

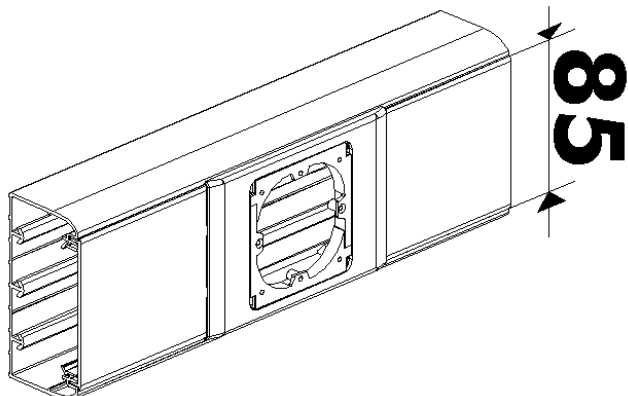
	2 mod. 10992	4 mod. 10994	6 mod. 10996	8 mod. 10998
support X(mm)	104	149.2	194.4	239.6
plate X(mm)	120	165.2	210.4	255.6

# DLP PVC trunking & accessories

Number(s) : 10411/12/21 à 23/24/27/32/33/52/53/59/62/67, 10472/73, 10520 à 22/24/26/82/83/84, 10601 à 03/05 à 07/19/21, 10623/35/36/38/39/50/58/91/92/95/96, 10700 à 03/05 à 08/10/11, 10722/35 à 40/63 à 65/67/84 à 86/89/90/92, 10793/95/96/98, 10800 à 02/04/06, 30698, 30897/99, 30949

## 4. SUPPORTS (continued)

4.2 Universal supports ref. 10913/23/33/43/14/24/34/44



Supports delivered with finishing plate in white colour.

White color RAL 9003  
Allows:

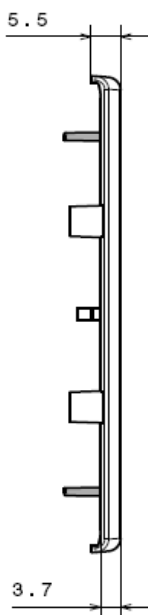
- the assembly on trunking equipped with covers 85mm or 130mm of equipment 2/4/6/8 modules Programme Mosaic, Programme Céliane, Programme Plexo or another equipment distance between centres 60mm
- assembly of possible Mosaic equipment on cover 130mm with 10914/24/34/44 + metal support.
- possibility of assembly into vertical with 10913 and 10914..

Use of the Mosaic supports according to the covers of trunking:

	Support 1 poste.	Support 2 postes.	Support 3 postes.	Support 4 postes.
CV 85 mm	10913	10923	10933	10943
CV 130 mm	10914	10924	10934	10944

Dimensions :

Thickness plates

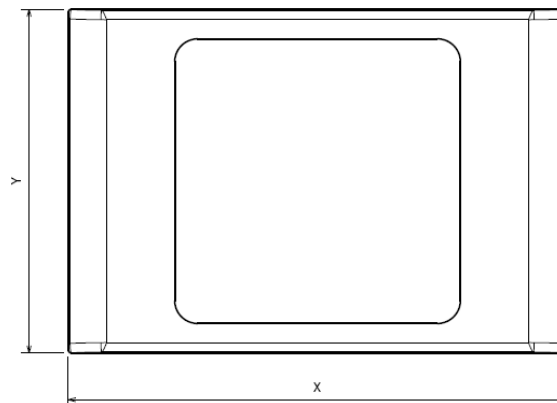


## 4. SUPPORTS (continued)

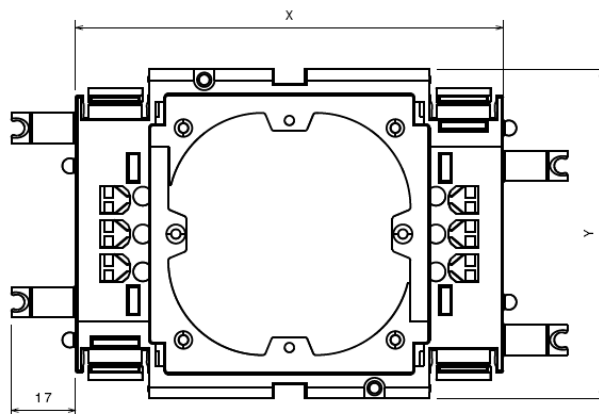
4.2 Universal supports ref. 10913/23/33/43/14/24/34/44

Dimensions :

Plate :



Support :



For cover 85mm.

Y (mm) = the plates width 90mm, the supports width 87mm.

	Support 1 poste 10913	Support 2 postes 10923	Support 3 postes 10933	Support 4 postes 10943
X(mm)	130	201	272	343
Y(mm)	113	184	255	326

For cover 130mm.

Y (mm) = the plates width 135mm, the supports width 132mm.

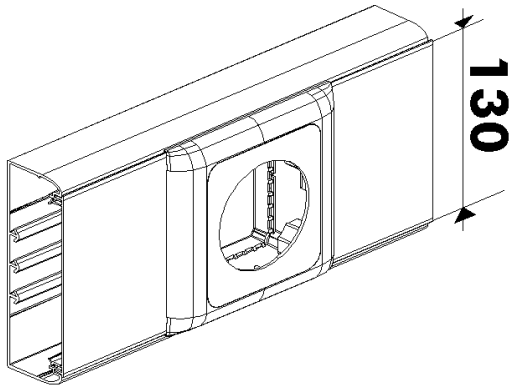
	Support 1 poste 10914	Support 2 postes 10924	Support 3 postes 10934	Support 4 postes 10944
X(mm)	130	201	272	343
Y(mm)	113	184	255	326

# DLP PVC trunking & accessories

Number(s) : 10411/12/21 à 23/24/27/32/33/52/53/59/62/67, 10472/73, 10520 à 22/24/26/82/83/84, 10601 à 03/05 à 07/19/21, 10623/35/36/38/39/50/58/91/92/95/96, 10700 à 03/05 à 08/10/11 10722/35 à 40/63 à 65/67/84 à 86/89/90/92, 10793/95/96/98, 10800 à 02/04/06, 30698, 30897/99, 30949

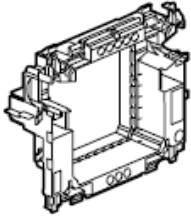
## 4. SUPPORTS (continued)

### 4.3 Hypra socket support ref. 10900



Supports delivered with finishing plate in white colour.  
White color RAL 9003

1 industrial support cover 130mm in grey colour.



3 industrial plates in white colour.  
(1 plate A diameter 52 mm/1 plate B diameter 63 mm et 1 plate C diameter 73mm)

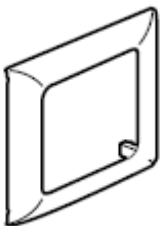


4 screw TC diameter 4x20mm  
8 screw CS 3x19mm

Allows:

- the assembly on the trunking (equipped with cover 130mm) of the industrial sockets plastic P17 in horizontal position or vertical (see the dimensions of the sockets in the catalog)
- the assembly of the sockets Plexo.
- the assembly of the sockets Plexo 20A/32A IP 44 IK 08.

Dimensions :



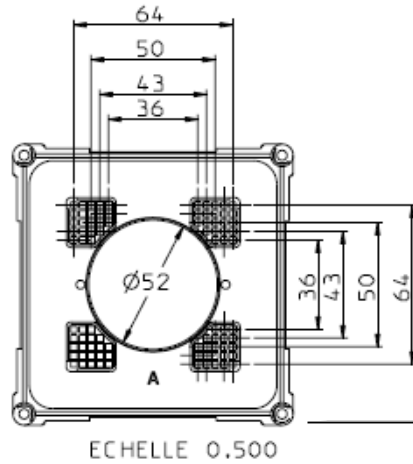
Only for cover 130 mm.  
Y(mm)= la plaque industriel largeur 00mm, le support industriel largeur 00mm.

## 4. SUPPORTS (continued)

### 4.3 Hypra socket support ref. 10900

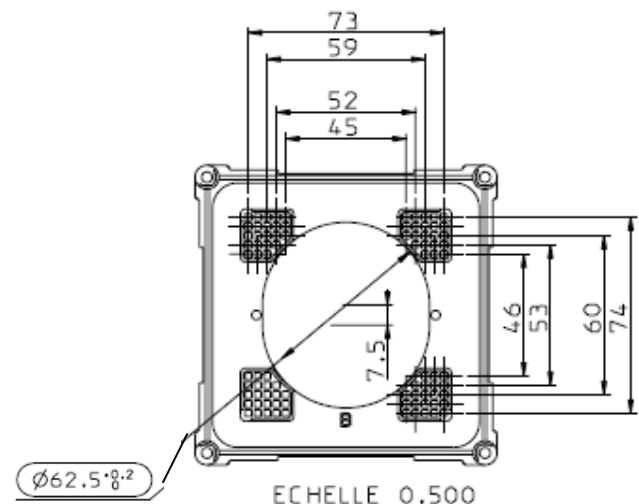
Industrial plates allowing the assembly of support hypra

Plate A diameter 52 mm :



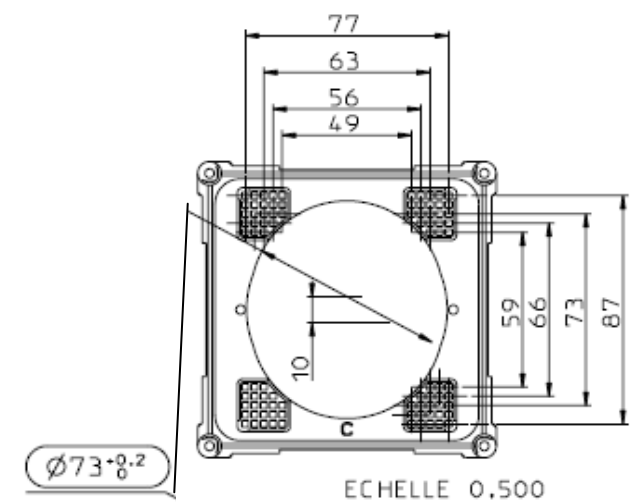
ECHELLE 0.500

Plate B diameter 63 mm



ECHELLE 0.500

Plate C diameter 73 mm)



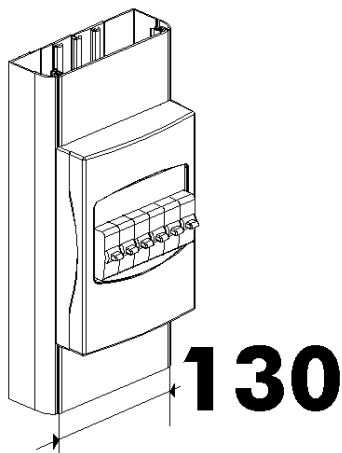
ECHELLE 0.500

# DLP PVC trunking & accessories

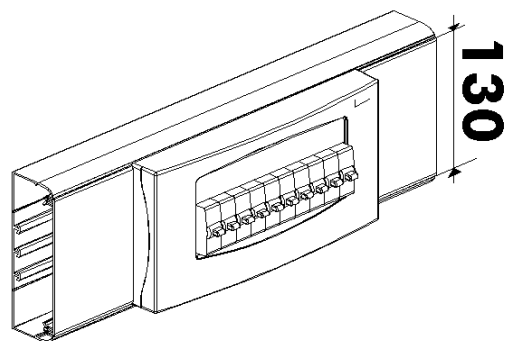
Number(s) : 10411/12/21 à 23/24/27/32/33/52/53/59/62/67, 10472/73, 10520 à 22/24/26/82/83/84, 10601 à 03/05 à 07/19/21, 10623/35/36/38/39/50/58/91/92/95/96, 10700 à 03/05 à 08/10/11 10722/35 à 40/63 à 65/67/84 à 86/89/90/92, 10793/95/96/98, 10800 à 02/04/06, 30698, 30897/99, 30949

## 4. SUPPORTS (continued)

4.4 Legrand Lexic support ref. 10905/25/35/65/85.



Assembly on trunking into vertical for 10925.10935 and 10965.



Assembly on trunking into horizontal for 10905.10985.

Supports delivered with finishing plate in white colour

White color RAL 9003

Allows:

- the assembly on trunking equipped with covers 65/85mm or 130mm of Lexic 2/3/6/8/10 modules

	Supp 10 mod.	Supp 2 mod.	Supp 3 mod.	Supp 6 mod.	Supp 8 mod.
CV 65mm	-	10925	-	-	-
CV 85mm	-	-	10935	-	-
CV 130mm	10905	-	-	10965	10985

Dimensions :

H = 35.5 mm for the height of the plates

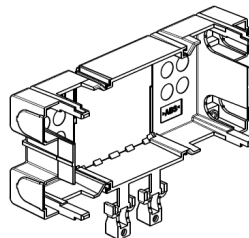
Y = the plates width 131 mm

	10 mod. CV 130 10905	2 mod. CV 65 10925	3 mod. CV 85 10935	6 mod. CV 130 10965	8 mod. CV 130 10985
support X(mm)	264	175	175	175	228
plate X(mm)	274	185	185	185	238

## 4. SUPPORTS (continued)

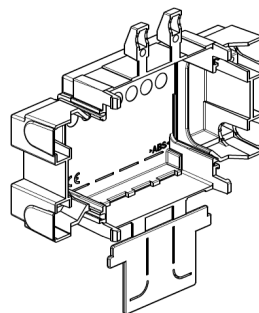
4.5 Insulation unit ref 10927.

Insulation unit for 2 modules, can be fitted together to create 4, 6 and 8 modules supports



2.7 Insulation unit ref 10917.

Insulation unit for 2 modules, can be fitted together to create 4, 6 and 8 modules supports

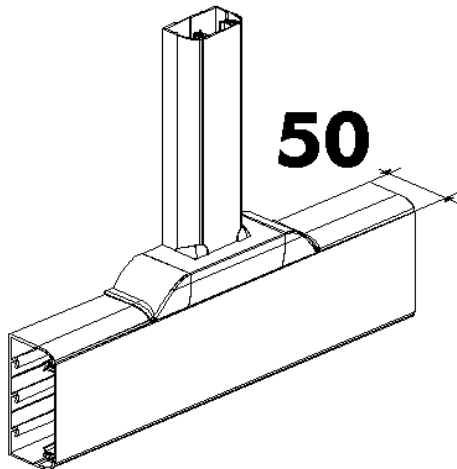


# DLP PVC trunking & accessories

Number(s) : 10411/12/21 à 23/24/27/32/33/52/53/59/62/67, 10472/73, 10520 à 22/24/26/82/83/84, 10601 à 03/05 à 07/19/21, 10623/35/36/38/39/50/58/91/92/95/96, 10700 à 03/05 à 08/10/11 10722/35 à 40/63 à 65/67/84 à 86/89/90/92, 10793/95/96/98, 10800 à 02/04/06, 30698, 30897/99, 30949

## 5. ACCESSORIES

### 5.1 Flat junctions ref. 10731/32/33



White color RAL 9003

The junction in "T" allows.

- respect of the degree protection
- aesthetics (covering of the cut) improves

Assembly on the body by clip

10731 : For trunking H 35mm to tap-off to a trunking H 35mm

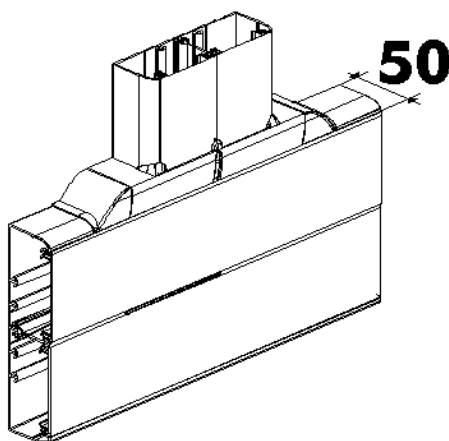
10732 : For trunking H 50mm to tap-off to a trunking H 50mm

10733 : For trunking H 65mm to tap-off to a trunking H 65mm

For ref. 10732/33 and to tap-off to a trunking width superior to 105 mm, to use:

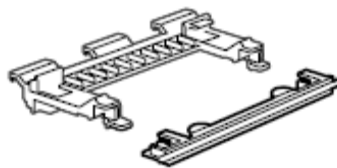
2 derivations of body (ex: to derive from a trunking 150x50 to a the same trunking 150x50, to use 2x10732)

3 derivations of body (ex: to derive from a trunking 220x65 to a the same trunking 220x65, to use 3x10733)



## 5. ACCESSORIES (continued)

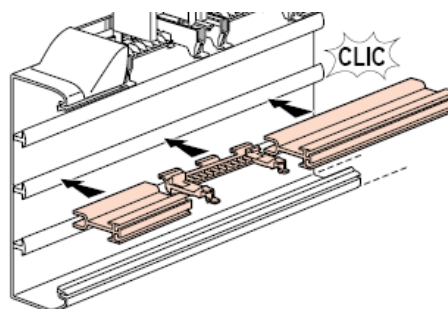
### 5.2 Complementary for flat junctions ref. 10742/43.



Allow the derivation of the cables since the compartment of the bottom.

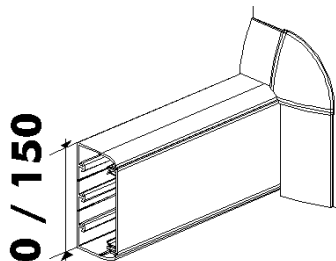
10742 for trunking H 50mm.

10743 for trunking H 65mm.



Fix itself directly in the bottom of the trunking (on the "T") between two pieces of division partition.

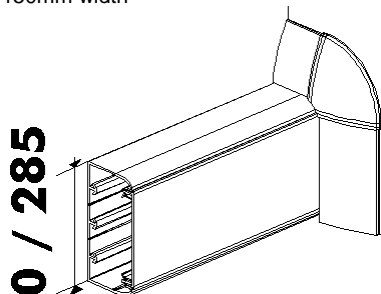
### 5.3 All feedthroughs ref.10698/99.



60 / 150

Ref.10698 for trunking 80 to

150mm width



60 / 285

Ref.10699 for trunking

195 to 220mm width.

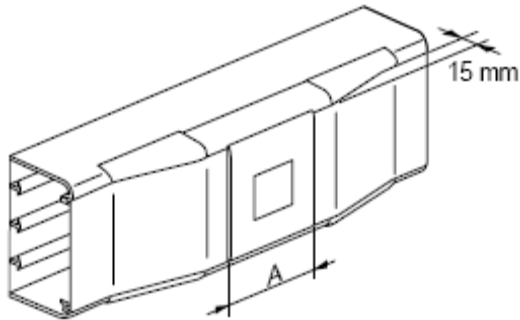
Provide a finish between the trunking and the wall  
 - aesthetics improve (covering of the cut of the wall)  
 - assembly on the body by clipsage.  
 White color RAL 9003

# DLP PVC trunking & accessories

Number(s) : 10411/12/21 à 23/24/27/32/33/52/53/59/62/67, 10472/73, 10520 à 22/24/26/82/83/84, 10601 à 03/05 à 07/19/21, 10623/35/36/38/39/50/58/91/92/95/96, 10700 à 03/05 à 08/10/11 10722/35 à 40/63 à 65/67/84 à 86/89/90/92, 10793/95/96/98, 10800 à 02/04/06, 30698, 30897/99, 30949

## 5. ACCESSORIES (continued)

### 5.4 Change of capacity ref. 10687/88/89



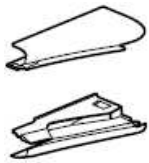
Allows to increase 15mm the height of a trunking to preserve the space of wiring with a flat junction or a support equipment.  
Accessory of change of capacity: still more flexibility.  
Respect of the index of protection.  
Improve aesthetics (covering of the cut)  
Assembly on the body of the trunking by clip

White color RAL 9003

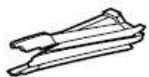
10687: Raise, length 57cm.



10688: Set of 4 accessories to change of capacity of the body



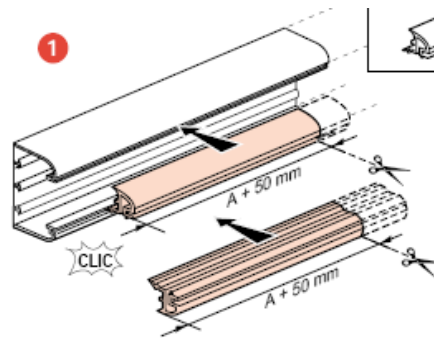
10689: Set of 2 accessories of change height of partition (to be used only on trunking with multi-compartments)



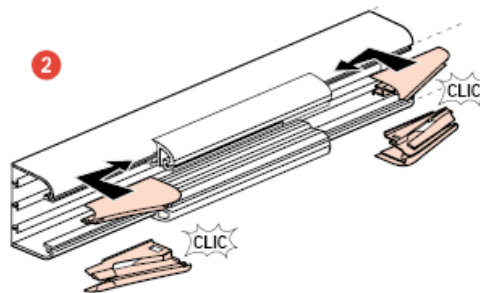
## 5. ACCESSORIES (continued)

### 5.4 Change of capacity ref. 10687/88/89 (suite)

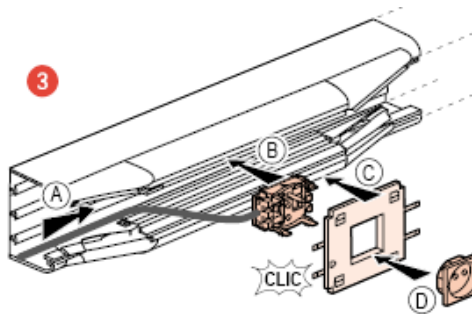
- fix the rise on the trunking



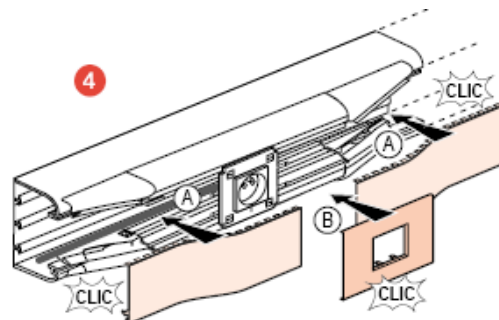
2- install at the end of raise the accessories of change of capacity



3- pose the support



4- clip the cover and the finishing plate on the support



# DLP PVC trunking & accessories

Number(s) : 10411/12/21 à 23/24/27/32/33/52/53/59/62/67, 10472/73, 10520 à 22/24/26/82/83/84, 10601 à 03/05 à 07/19/21, 10623/35/36/38/39/50/58/91/92/95/96, 10700 à 03/05 à 08/10/11, 10722/35 à 40/63 à 65/67/84 à 86/89/90/92, 10793/95/96/98, 10800 à 02/04/06, 30698, 30897/99, 30949

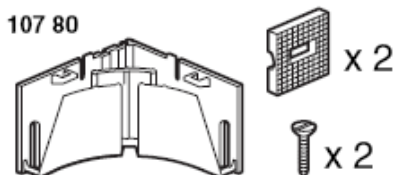
## 5. ACCESSORIES (continued)

5.5 For wiring VDI ref. 10780/81/82/83

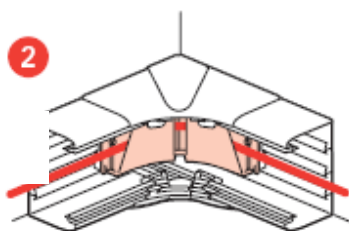
Come in complement from the element from standard advance. Fix themselves in any evolutionary chute (except for the 35x80 in which one cannot fix the accessory and in the compartments using a cover 40)

References	Section mm <sup>2</sup>	Diameter maxi
10780	580	17
10781	580	17
10782	1120	3x17
10783	490	2x13.5

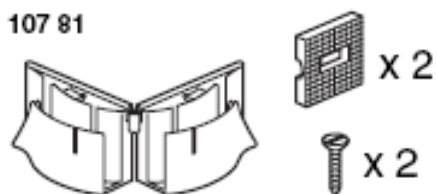
10780: Accessory for internal angle



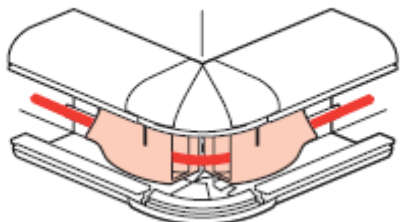
Delivered with supports for fixing on the bottom of the trunking (on the "T" ) and 2 screws



10781: Accessory for external angle



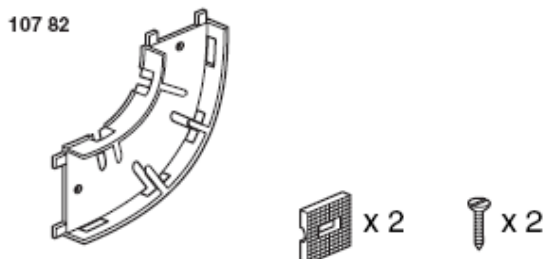
Delivered with supports for fixing on the bottom of the trunking (on the "T" ) and 2 screws



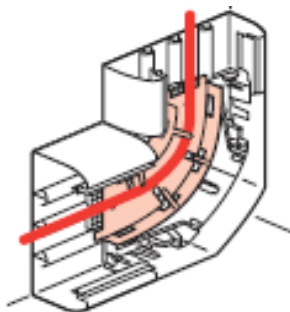
## 5. ACCESSORIES (continued)

5.5 For wiring VDI ref. 10780/81/82/83 (continued)

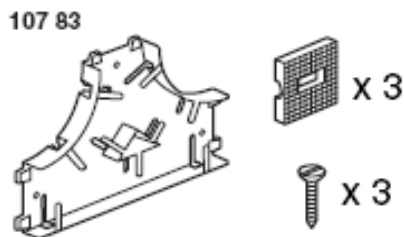
10782: Accessory for flat angle



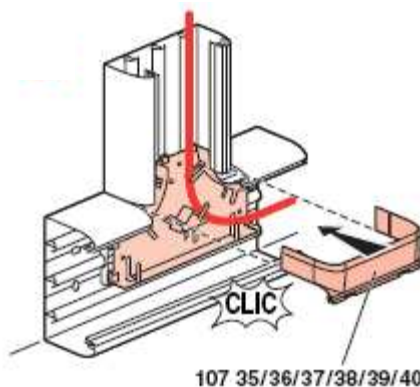
Delivered with supports for fixing on the bottom of the trunking (on the "T" ) and 2 screws



10783: Accessory for flat junction



Delivered with supports for fixing on the bottom of the trunking (on the "T" ) and 3 screws



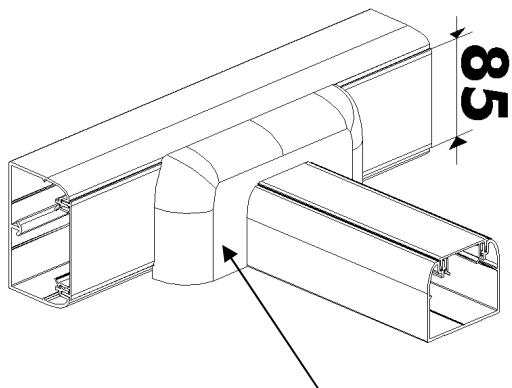


# DLP PVC trunking & accessories

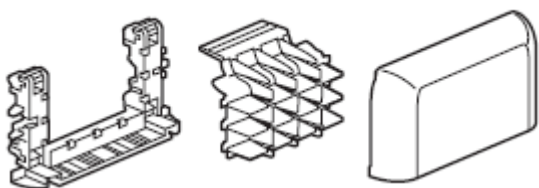
Number(s) : 10411/12/21 à 23/24/27/32/33/52/53/59/62/67, 10472/73, 10520 à 22/24/26/82/83/84, 10601 à 03/05 à 07/19/21, 10623/35/36/38/39/50/58/91/92/95/96, 10700 à 03/05 à 08/10/11 10722/35 à 40/63 à 65/67/84 à 86/89/90/92, 10793/95/96/98, 10800 à 02/04/06, 30698, 30897/99, 30949

## 5. ACCESSORIES (continued)

5.6 Junction for change of plane réf : 10770/71/72/73/74.



107 70/71/72/73/74



To tap-off from wall to ceiling for exemple to supply power to a luminaire.

Respect of the index of protection.

Improve aesthetics (covering of the cut)

Assembly on the body of the trunking by clips

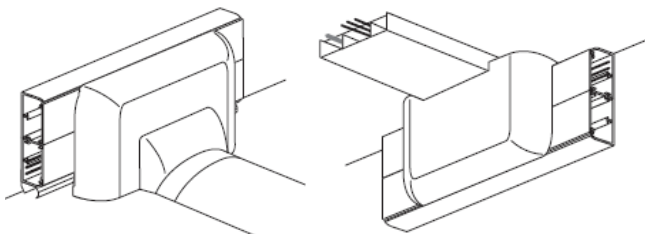
White color RAL 9003

Table of derivations for change of plane to be used with:

References	To use for
10770	Couvercle 40mm
10771	Couvercle 65mm
10772	Couvercle 85mm
10773	Goulotte réf . 10424
10774	Couvercle 130mm

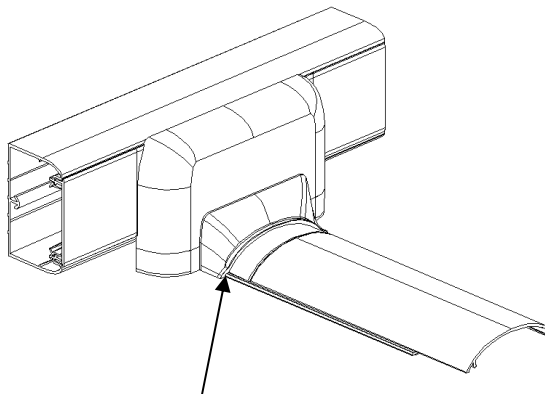
Assembly on the ground in derivation starting from a trunking DLP to a floor duct

Assembly with the ceiling in derivation starting from a trunking DLP to a mini-trunking

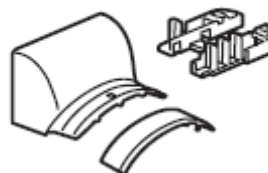


## 5. ACCESSORIES (continued)

5.7 Derivations for floor duct ref. 10690.



106 90



Allows to tap-off on a floor duct ref. 32800.

Respect of the index of protection.

Improve aesthetics (covering of the cut)

Assembly on the body of the trunking by clips

White color RAL 9003

Table of derivations for floor duct to be used with:

(must join the ref. 10690: DLP complement floor duct in white colour)

References	To use for
10770+10690	Covers 40mm
10771/73+10690	Covers 65mm
10772+10690	Covers 85mm
10774+10690	Covers 130mm

No derivation for floor duct for reference 10424 (trunking 105x50 with cover 65mm)

# DLP PVC trunking & accessories

Number(s) : 10411/12/21 à 23/24/27/32/33/52/53/59/62/67, 10472/73, 10520 à 22/24/26/82/83/84, 10601 à 03/05 à 07/19/21, 10623/35/36/38/39/50/58/91/92/95/96, 10700 à 03/05 à 08/10/11 10722/35 à 40/63 à 65/67/84 à 86/89/90/92, 10793/95/96/98, 10800 à 02/04/06, 30698, 30897/99, 30949

## 6. TECHNICAL CHARACTERISTICS (continued)

### ■ New standard EN 50085-2-1

Classification EN 50085-2-1		Level
6.1	Void	
6.2	Resistance to impact for installation and application	2.0 J
6.3	Minimum storage and transport temperature	- 25 °C
6.3	Minimum installation and application temperature	- 5 °C
6.3	Maximum application temperature	+ 60 °C
6.4	Resistance to flame propagation	Non-flame propagating
6.5	Electrical continuity characteristic	Without electrical continuity characteristic
6.6	Electrical insulating characteristic	With electrical insulating characteristic
6.7	Degrees of protection provided by enclosure	IP 40
6.9	System access cover retention	With a tool
6.101	Position when surface mounted	Wall fixed, ceiling fixed, wall fixed and supported by the floor or other horizontal surface
6.102	Prevention of contact between liquids and insulated conductors and live parts in case of CTS/CDS mounted in a skirting position and wet-treatment of floor	Instructions restricting the installation position
6.103	The functions provided	Type 1, type 2 (distribution), type 3 (installation) Type 2: 104 32/33/52/53, type 3: other Cat. Nos
Rated current		500 V
Against mechanical shocks		IK 07

### Composition and functions of fully assembled DLP trunking

Number of compartments	Trunking		Trunking and accessories					Angles			Flat junction <sup>(1)</sup>		Supports for wiring accessories	Cross-section (mm <sup>2</sup> )	
	Covers width (mm)	Dim. (mm)	Bodies	Covers	Division partitions <sup>(2)</sup>	Separation partitions <sup>(2)</sup>	Base joints <sup>(2)</sup>	End cap <sup>(2)</sup>	Internal angle <sup>(1)</sup>	External angle <sup>(1)</sup>	Flat angle <sup>(1)</sup>	To width 80 mm <sup>(2)</sup>			To width 105 mm <sup>(2)</sup>
1	65	50 x 80		104 62 (body and cover complete)	105 82	-	106 92 or 106 91	107 22	106 02	106 22	107 67	107 35	-	(3)	3340
	65	50 x 105		104 24 (body and cover complete)	105 82	-	106 96	107 00	106 05	106 19	107 86	107 39	107 40	(3)	4380
2	65 65	50 x 150		104 27 (body and cover complete)	105 82	-	106 92 or 106 91	107 03	106 06	106 35	107 89	107 35	107 36 107 37	(3)	3060/3060
3	40 65 40	50 x 170		104 67 (body and cover complete)	105 82	-	106 92 or 106 91	107 10	106 50	106 38	107 98	107 35	107 36 107 37	(3)	2 x 2060/2770

### Composition and functions of adaptable DLP trunking

1	65	35 X 80	104 11	105 21	-	105 84	106 92 or 106 91	107 22	106 01	106 21	107 67	107 35	-	(3)	2240
	85	35 X 105	104 21	105 22	-	105 82	106 92 or 106 91	107 01	106 01	106 21	107 84	107 35	107 36	(4)	2850
	65	50 X 80	104 12	105 21	-	105 82	106 92 or 106 91	107 22	106 02	106 22	107 67	107 35	-	(3)	3340
	85	50 X 105	104 22	105 22	-	105 82	106 92 or 106 91	107 02	106 02	106 22	107 85	107 35	107 36 107 37	(4)	4300
	85	65 X 105	104 23	105 22	-	105 83	106 92 or 106 91	107 04	106 03	106 23	107 87	107 33	107 38	(4)	5740
	130	50 X 150	104 32	105 24	-	105 82	106 92 or 106 91	107 03	106 02	106 22	107 89	107 35	107 36 107 37	Distribution	6440
	130	65 X 150	104 33	105 24	-	105 83	106 92 or 106 91	107 06	106 03	106 23	107 90	107 33		Distribution	8200
	180	50 X 195	104 52	105 26	-	105 82	106 92 or 106 91	107 07	106 02	106 22	107 92	107 35	107 36 + 107 37	Distribution	8460
	180	65 X 195	104 53	105 26	-	105 83	106 92 or 106 91	107 07	106 03	106 23	107 93	107 33	107 38	Distribution	11240
2	65 65	65 X 150	104 33	2 x 105 21	104 73	105 83	106 92 or 106 91	107 06	106 07	106 36	107 90	107 33	107 38	(3)	3960/3960
	85 85	90 X 195	104 52	2 x 105 22	104 72	105 82	106 92 or 106 91	107 07	106 06	106 35	107 92	107 35	107 36 + 107 37	(4)	3940/3940
	85 85	65 X 195	104 53	2 x 105 22	104 73	105 83	106 92 or 106 91	107 07	106 07	106 36	107 93	107 33	107 38	(4)	5310/5310
	65 130	65 X 220	104 59	105 24 + 105 21	104 73	105 83	106 92 or 106 91	107 08	106 07	106 36	107 96	107 33	107 38	(3)	3960/8010

(1) Classification and performance are for a mounting at an angle of 90°

(2) See mounting and assembling instructions on technical sheets, boxes or on [www.legrand.fr](http://www.legrand.fr)

(3) Universal and Mosaic supports for wiring accessories, cover width 65 mm : Cat.Nos 109 10/52/53/54/56/58

(4) Universal and Mosaic supports for wiring accessories, cover width 85 mm : Cat.Nos 109 92/93/94/96/98

## 7. MATERIAL CHARACTERISTICS.

The trunkings, covers and partitions are in PVC white RAL 9003.

Plastic accessories:

The accessories are in plastic ABS or PVC white RAL 9003