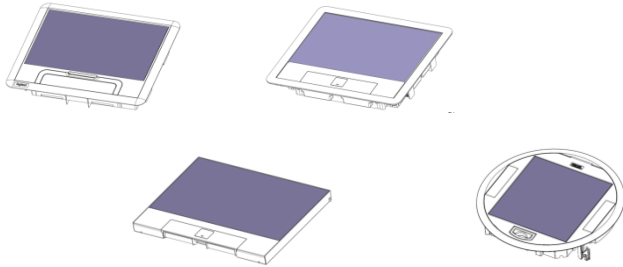


New floor boxes for floor system

Number(s) : 0 880 00 to 08 – 0 880 15 to 17 – 0880 20 to 25 – 0 880 30 to 32
 – 0 880 36 to 38 – 0 880 42 to 55 – 0 880 57 – 0 880 80 to 83–
 0 880 85/86/88 -0 880 89 to 92 – 0 880 95 - 0 880 98/99 – 0 881 03 to 08 –
 0 881 20 to 27 – 0 881 44 to 50 – 0 881 90 to 92

CONTENTS	Pages
For raised floor box	2 to 31
.....Selection chart	
...1. Frames & Wiring devices range	
...2. Frames & Wiring devices dimensions	
...3. Installation	
...4. Floor box range	
For screed floor box	32 to 75
.....Selection chart	
...1. Back boxes	
...2. Frames & Wiring devices range	
...3. Frames & Wiring devices dimensions	
...4. Installation	
...5. Floor box range	
Technical and Material Characteristics	76



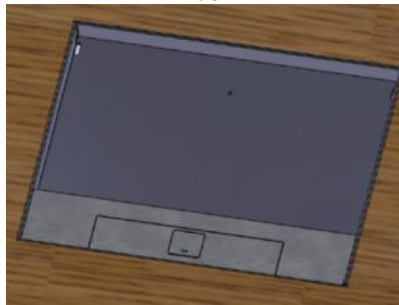
RAISED FLOOR BOXES RANGE

Standard



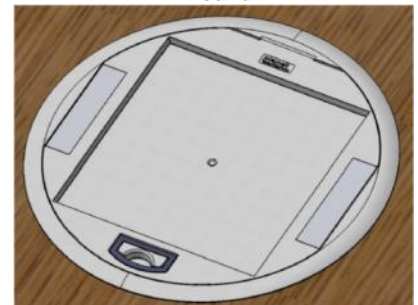
Pages from 2 to 14

Flush



Pages from 15 to 24

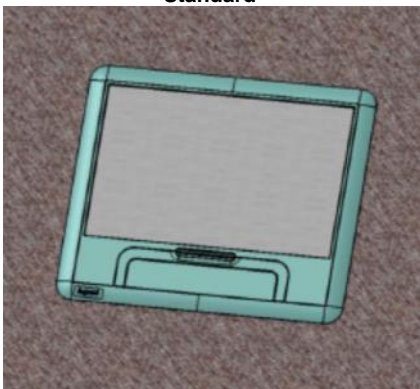
Round



Pages from 25 to 31

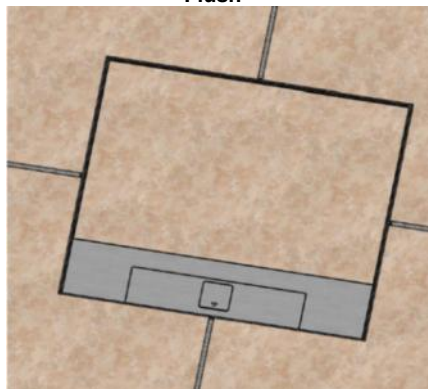
SCREED FLOOR BOXES RANGE

Standard



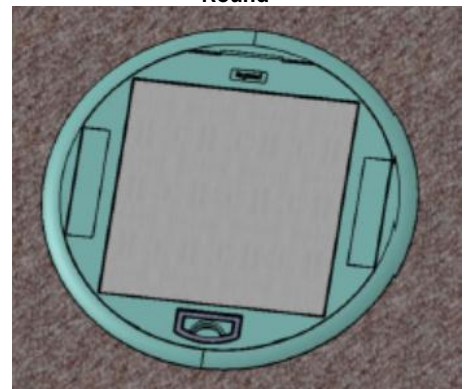
Pages from 32 to 59

Flush



Pages from 60 to 67

Round











Pages from 68 to 75

RAISED FLOOR BOXES
Standard range

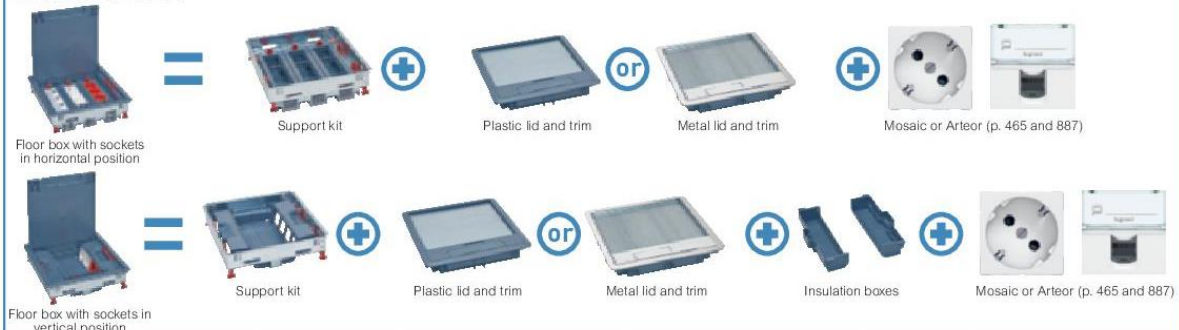


Number(s) : 0 880 00 to 08 – 0 880 15 to 17 – 0880 20 to 25 – 0 880 30 to 32
– 0 880 36 to 38 – 0 880 42 to 55 – 0 880 57 – 0 880 80 to 83–
0 880 85/86/88 –0 880 89 to 92 – 0 880 95 - 0 880 98/99 – 0 881 03 to 08 –
0 881 20 to 27 – 0 881 44 to 50– 0 881 90 to 92

SELECTION CHART

SOCKET MOUNTING POSITION	CAPACITY	FLOOR BOX SUPPORT KITS	LIDS & TRIMS FLOORING THICKNESS ≤ 8 mm		FINISHING PLATES (optional)		INSULATION BOXES
							
Adjustable horizontal  H min: 80 mm	12 (3 x 4) modules	0 880 20	Plastic	0 880 00	Stainless steel	0 880 15	-
			Metal	Stainless steel	0 880 03	Stainless steel	
	18 (3 x 6) modules	0 880 21	Plastic	0 880 01	Stainless steel	0 880 16	-
			Metal	Stainless steel	0 880 04	Stainless steel	
	24 (3 x 8) modules	0 880 22	Plastic	0 880 02	Stainless steel	0 880 17	-
			Metal	Stainless steel	0 880 05	Stainless steel	
Fixed horizontal  H: 96 mm	12 (3 x 4) modules	0 880 30	Plastic	0 880 00	Stainless steel	0 880 15	-
			Metal	Stainless steel	0 880 03	Stainless steel	
	18 (3 x 6) modules	0 880 31	Plastic	0 880 01	Stainless steel	0 880 16	-
			Metal	Stainless steel	0 880 04	Stainless steel	
	24 (3 x 8) modules	0 880 32	Plastic	0 880 02	Stainless steel	0 880 17	-
			Metal	Stainless steel	0 880 05	Stainless steel	
Vertical  H min: 83 mm	8 (2 x 4) modules	0 880 23	Plastic	0 880 00	Stainless steel	0 880 15	0 880 26
			Metal	Stainless steel	0 880 03	Stainless steel	
	12 (2 x 6) modules	0 880 24	Plastic	0 880 01	Stainless steel	0 880 16	0 880 27
			Metal	Stainless steel	0 880 04	Stainless steel	
	16 (2 x 8) modules	0 880 25	Plastic	0 880 02	Stainless steel	0 880 17	0 880 28
			Metal	Stainless steel	0 880 05	Stainless steel	
Access covers  H min: 65 mm	For lid and trim with 8/12 modules	0 880 39	Plastic	0 880 00	Stainless steel	0 880 15	-
			Metal	Stainless steel	0 880 03	Stainless steel	
	For lid and trim with 12/18 modules	0 880 40	Plastic	0 880 01	Stainless steel	0 880 16	-
			Metal	Stainless steel	0 880 04	Stainless steel	
	For lid and trim with 16/24 modules	0 880 41	Plastic	0 880 02	Stainless steel	0 880 17	-
			Metal	Stainless steel	0 880 05	Stainless steel	

MOUNTING PRINCIPLE

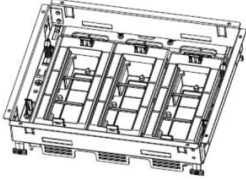
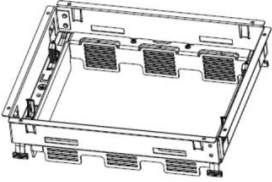
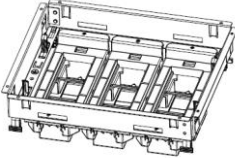
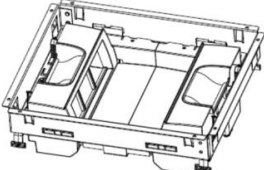
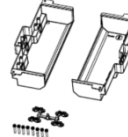
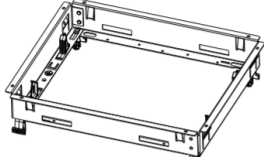


RAISED FLOOR BOXES
Standard range

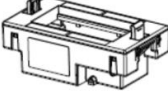
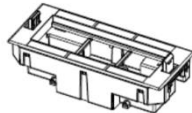
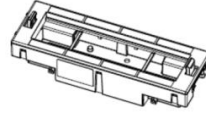
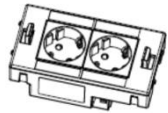
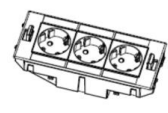
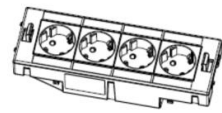

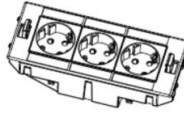



Number(s) : 0 880 00 to 08 – 0 880 15 to 17 – 0880 20 to 25 – 0 880 30 to 32
– 0 880 36 to 38 – 0 880 42 to 55 – 0 880 57 – 0 880 80 to 83–
0 880 85/86/88 -0 880 89 to 92 – 0 880 95 - 0 880 98/99 – 0 881 03 to 08 –
0 881 20 to 27 – 0 881 44 to 50– 0 881 90 to 92

1.FRAMES & WIRING DEVICES RANGE

5 kinds of supports	Support drawing	Reference numbers of support to use	Number of module	Reference number of insulation boxes to use	Back box drawing
Adjustable Horizontal	delivered with empty basket 	0 880 20 0 880 21 0 880 22	3x4M 3x6M 3x8M	-	-
Horizontal t to be equipped with	to be equipped with baskets (look up following board*) 	0 880 36 0 880 37 0 880 38	3x4M 3x6M 3x8M	-	-
Fixed Horizontal		0 880 30 0 880 31 0 880 32	3x4M 3x6M 3x8M	-	-
Fixed Vertical	delivered with empty frames 	0 880 23 0 880 24 0 880 25	2x4M 2x6M 2x8M	0 880 26 0 880 27 0 880 28	
Access Trap		0 880 39 0 880 40 0 880 41			

* Kind of baskets for frames to be equipped

Kind of baskets	4M	6M	8M
empty	0 880 42 	0 880 43 	0 880 44 
equipped with 2 P+E german standard	0 880 51 	0 880 53 	0 880 55 
equipped with 2 P+E tamperproof german standard	0 880 52 	0 880 54 	0 88057 

RAISED FLOOR BOXES
Standard range



Number(s) : 0 880 00 to 08 – 0 880 15 to 17 – 0880 20 to 25 – 0 880 30 to 32
– 0 880 36 to 38 – 0 880 42 to 55 – 0 880 57 – 0 880 80 to 83–
0 880 85/86/88 -0 880 89 to 92 – 0 880 95 - 0 880 98/99 – 0 881 03 to 08 –
0 881 20 to 27 – 0 881 44 to 50– 0 881 90 to 92

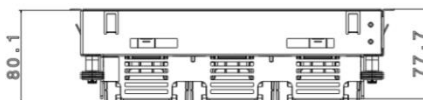
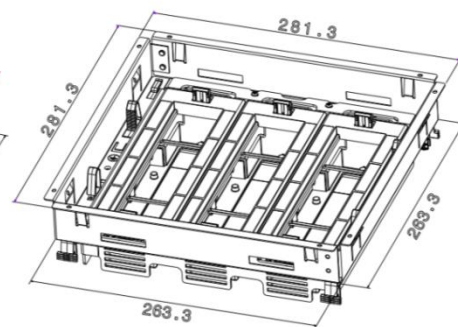
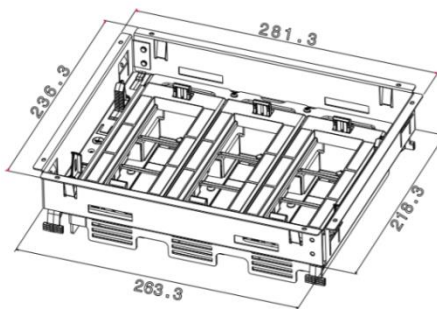
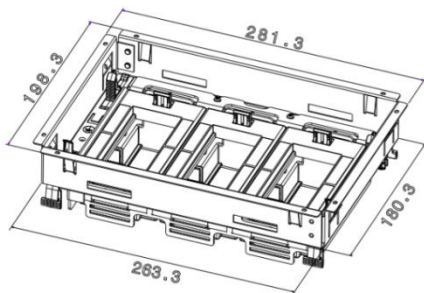
2. FRAMES & WIRING DEVICES DIMENSIONS

2.1 Adjustable horizontal frames reference numbers 0 880 20/21/22 and horizontal frames to be equipped reference numbers 0 880 36/37/38

0 880 20

0 880 21

0 880 22

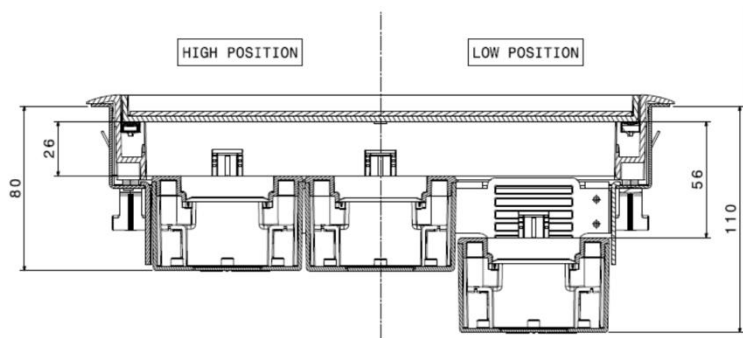
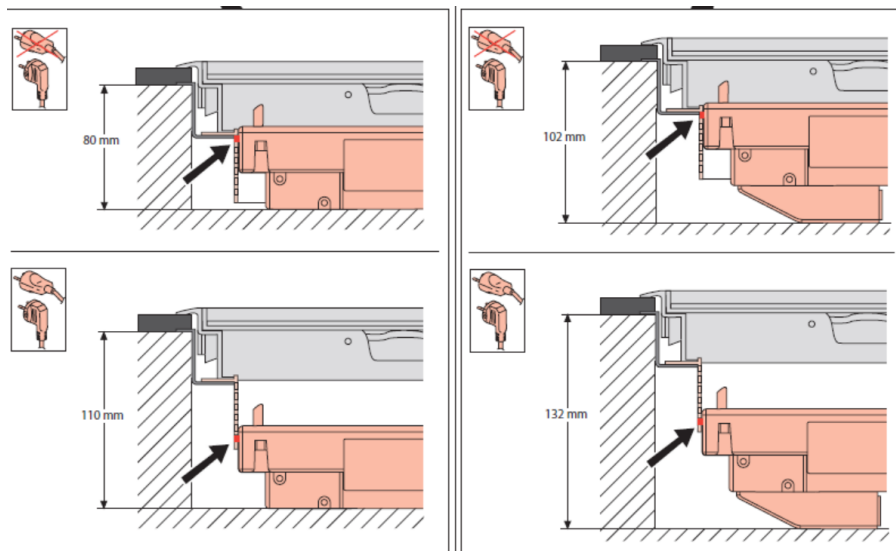




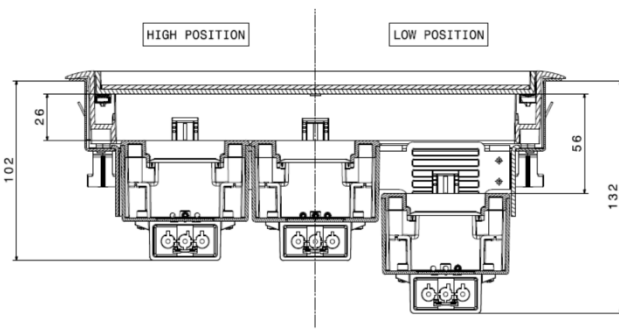
2. FRAMES & WIRING DEVICES DIMENSIONS (cont.)

Empty baskets

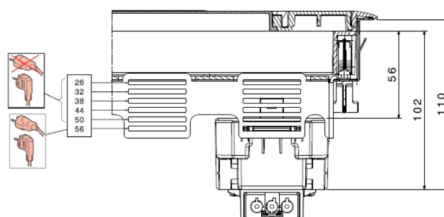
Equiped baskets with fast connecting system
Wieland®



Fast connecting system WIELAND®



Dimensions (mm) of the different positions of the module

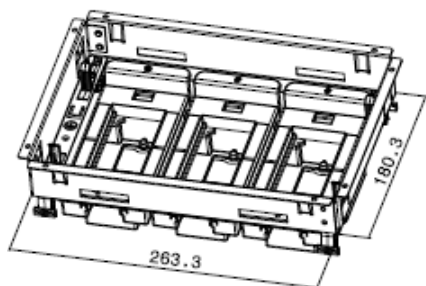




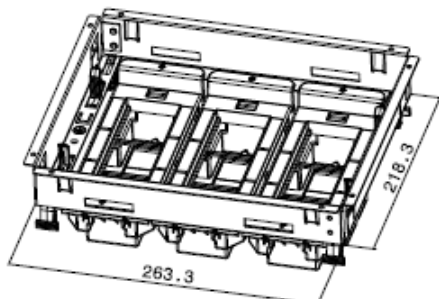
2. FRAMES & WIRING DEVICES DIMENSIONS (cont.)

2.2 Fixed horizontal frames reference numbers 0 880 30/31/32

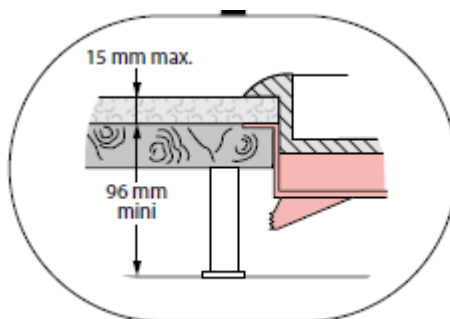
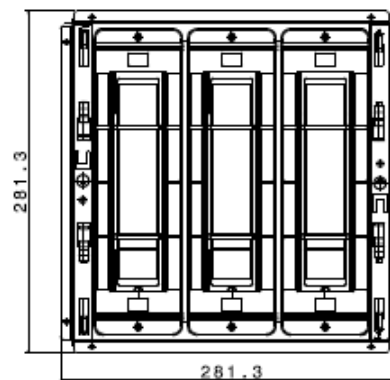
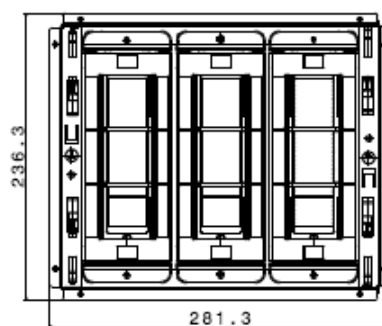
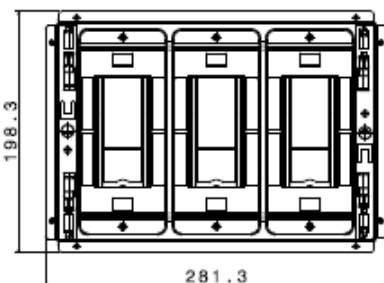
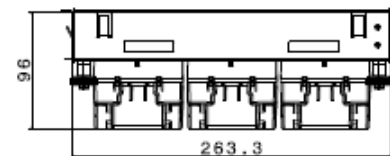
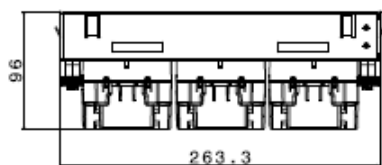
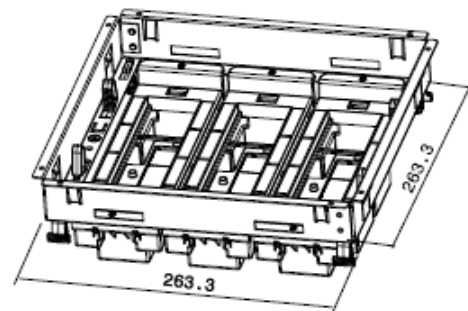
0 880 30



0 880 31



0 880 32





2. FRAMES & WIRING DEVICES DIMENSIONS (cont.)

2.3 Fixed vertical frames reference numbers 0 880 23/24/25

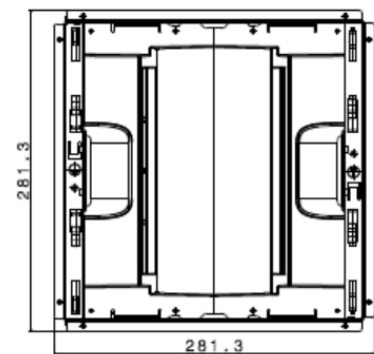
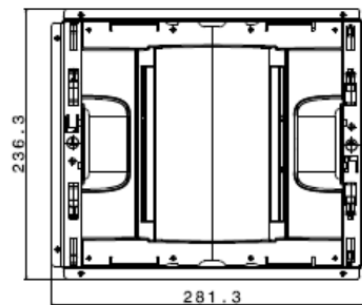
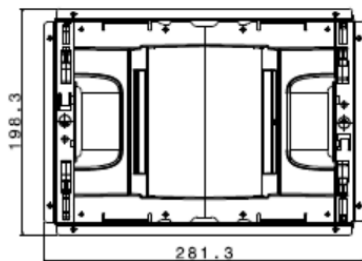
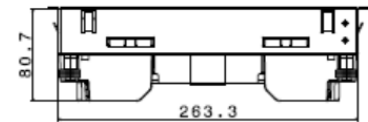
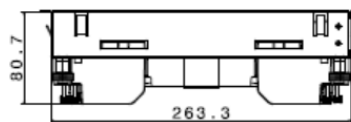
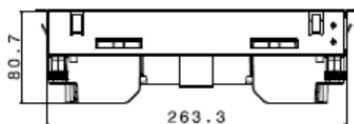
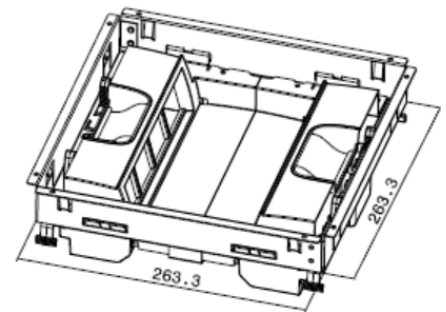
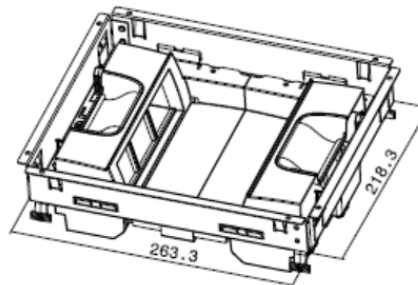
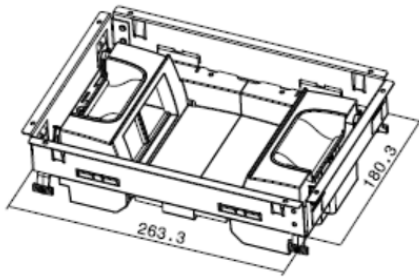
In order to connect all types of user plugs (straight and angle) and to be able to close correctly the lid, we advise to use 2 P+E sockets, 45° inclined version with upward earth pin, as below :



0 880 23

0 880 24

0 880 25

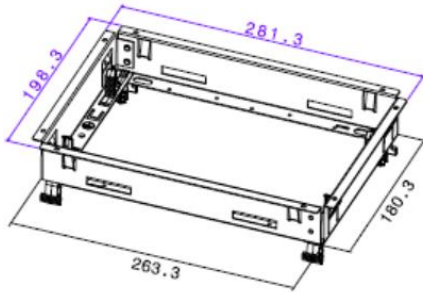




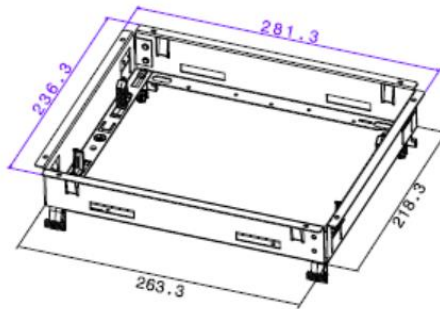
2. FRAMES & WIRING DEVICES DIMENSIONS (cont.)

2.4 Access trap reference numbers 0 880 39/40/41

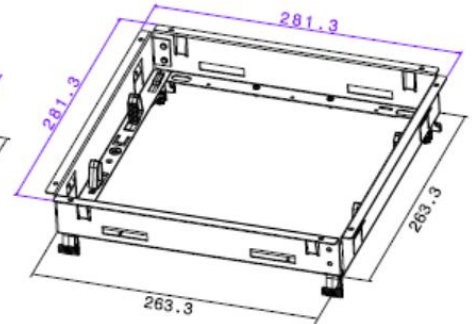
0 880 39



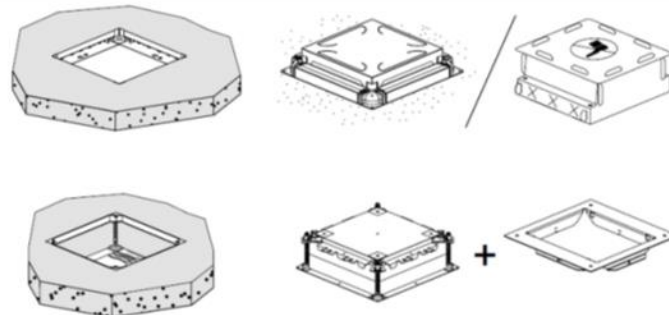
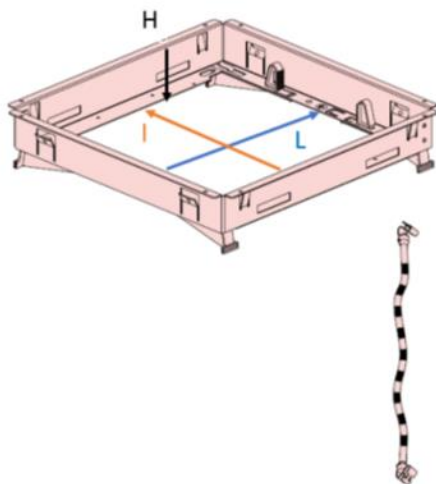
0 880 40



0 880 41



INTERNAL DIMENSIONS



	P (mm)	L (mm)
8/12 M	264	181
12/18 M	264	219
16/24 M	264	264



Please find dimensions of central part as well as the height in mm :

	Length (L)	Width (l)	Height (H)
0 880 39	229,6	147,9	39,7
0 880 40	229,6	185,9	39,7
0 880 41	229,6	230,9	39,7

RAISED FLOOR BOXES

Standard range



Number(s) : 0 880 00 to 08 – 0 880 15 to 17 – 0880 20 to 25 – 0 880 30 to 32 – 0 880 36 to 38 – 0 880 42 to 55 – 0 880 57 – 0 880 80 to 83– 0 880 85/86/88 -0 880 89 to 92 – 0 880 95 - 0 880 98/99 – 0 881 03 to 08 – 0 881 20 to 27 – 0 881 44 to 50– 0 881 90 to 92

3. INSTALLATION

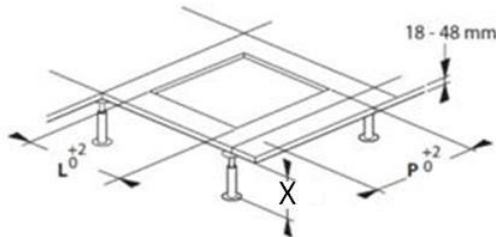
3.1 Floor cutting

Cut the floor according following dimensions

	X mini (mm)	8/12M	12/18M	18/24M
Horizontal ajustable	80*	0 880 20	0 880 21	0 880 22
Horizontal to equip	102**	0 80 36	0 880 37	0 880 38
Horizontal fixed	96	0 880 30	0 880 31	0 880 32
Vertical fixed	83	0 880 23	0 880 24	0 880 25
Access trap	64	0 880 39	0 880 40	0 880 41
L (mm)		181	219	264
P (mm)		264	264	264

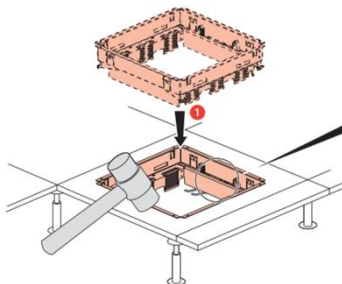
* with basket without wieland connector

** with basket with wieland connector

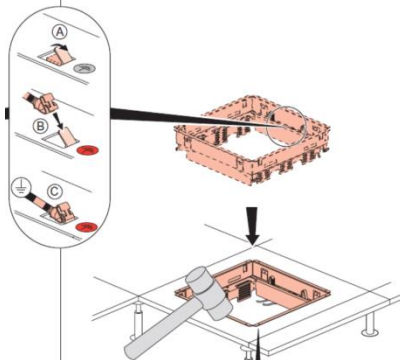


3.2 Assembly of the frame

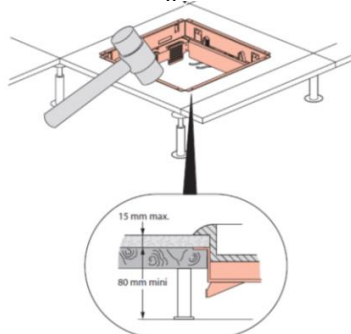
Clip the frame



Connect the earth pin



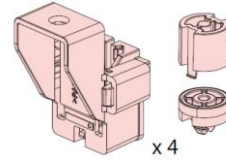
Place the frame before the coating



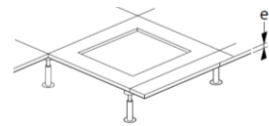
3. INSTALLATION (cont.)

3.3 Option : additionnal fixation kit ref. number 0 880 95 (example : plaster)

Allow floor clamping when it is necessary for a raised floor in brittle material such as plaster, for which the fixation type with clips of the frame support is not convenient (clamps may be not fixed sufficiently in the plaster)

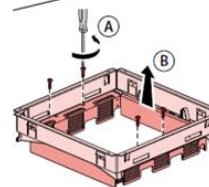
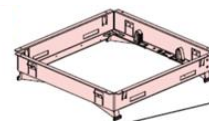


3.3.1 Préparation of the 4 fixations



If floor depth (e)		
11 mm < e < 17 mm	25 mm < e < 31 mm	31 mm < e < 40 mm

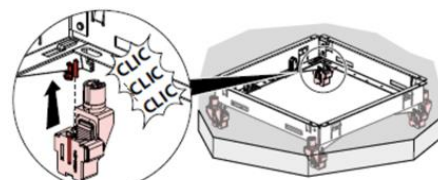
3.3.2 Preparation of support frame



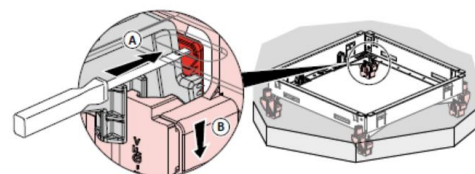
In case of adjustable horizontal support, unscrew the 4 screws (A) to remove grid (B). Do the opposite operation, once the 4 fixations are installed

3.3.3 Fixations installation

After the assembly of the frame in the floor (cf. 3.2), clip the fixations to the 4 red brackets in the corners of the floor box frame



Remove if necessary





3. INSTALLATION (cont.)

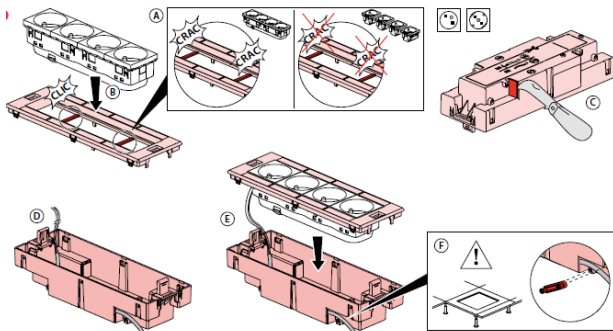
3.4 Wiring devices fitting in the different kind of frame

3.4.1 Horizontal frame (adjustable or fixed)

a) connection of baskets

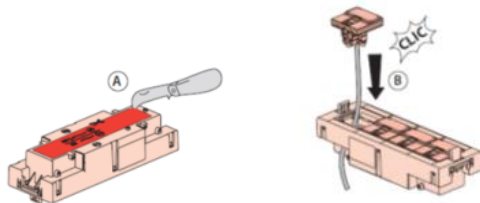
▪ 2P+E sockets only :

- Clip the sockets in the support (figure B) (in case of unitary sockets DO NOT BREAK the trigger guards (figure A))
- remove side cap (figure C)
- pass the cable through the entry (figure D)
- cable the sockets and clip the whole into the basket (figure E)
- screw cable with cable clip (figure F)

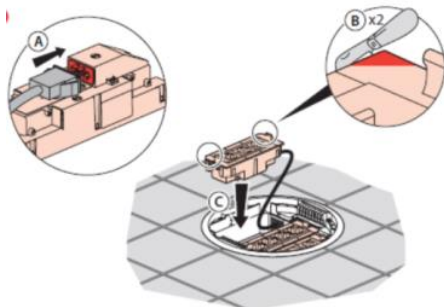


▪ For DATA sockets only :

- the lateral cable entries can be used OR an arrival of cables from the bottom is possible :
- remove the inferior part (figure A)
- connect the mechanisms (figure B)



▪ For equipped and pre-wired sockets with fast connecting system



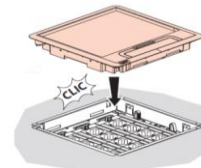
3. INSTALLATION (cont.)

b) fitting in the frame

Adjustable horizontal basket	Fixed horizontal basket
Screw basket to the frame support	
Adjustment system from the basket height	

c) assembly of the lid and trim

- clip the lid and trim on frame



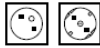


3. INSTALLATION (cont.)

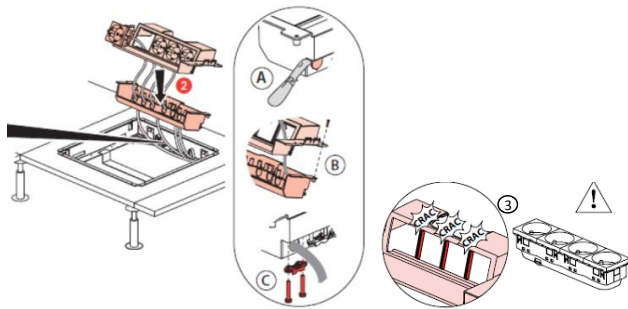
3.4.2 Fixed Vertical frames

a) connection

- remove the side cap from the insulator (figure A)
- insert and connect the mechanisms (figure 2)
- DO NOT BREAK the trigger guards in case of unitary sockets use (figure 3)
- In order to connect all types of user plugs (straight and angle) and to be able to close correctly the lid, we advise to use 2 P+E sockets, 45° inclined version with upward earth pin, as below :

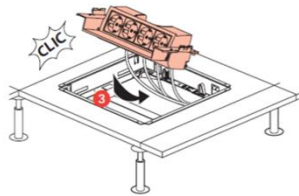


- screw the insulator on the back box (figure B)
- fix the cable with the cable clip (figure C)

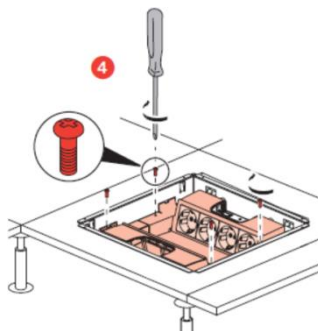


b) insertion in the frame

- insert backbox + support in the frame and clip it



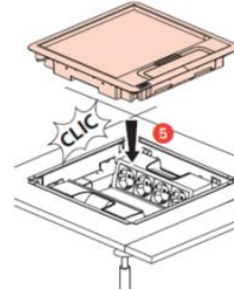
- fix the support with the screw



3. INSTALLATION (cont.)

c) assembly of the lid and trim

- clip the lid and trim on frame

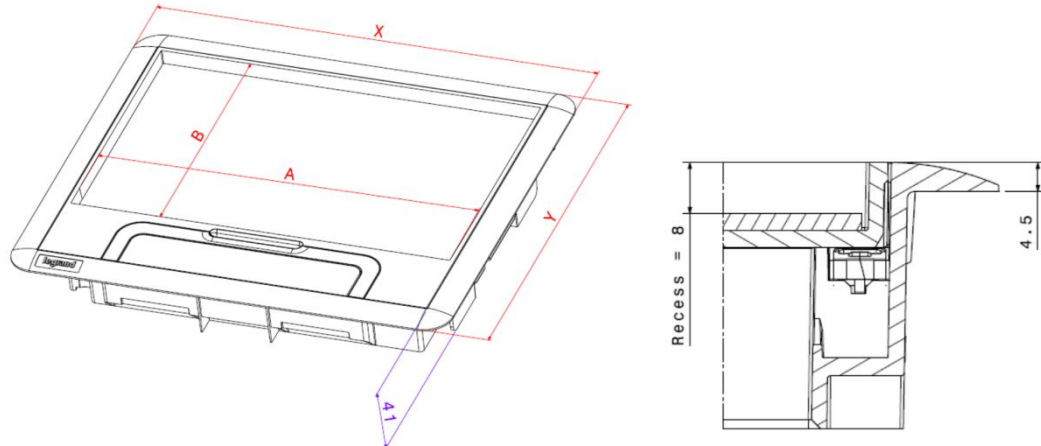




4. STANDARD FLOOR BOXES RANGE

4.1 Plastic Lid and trim

1 version	8/12M	12/18M	16/24M
Plastic Standard	0 880 00	0 880 01	0 880 02



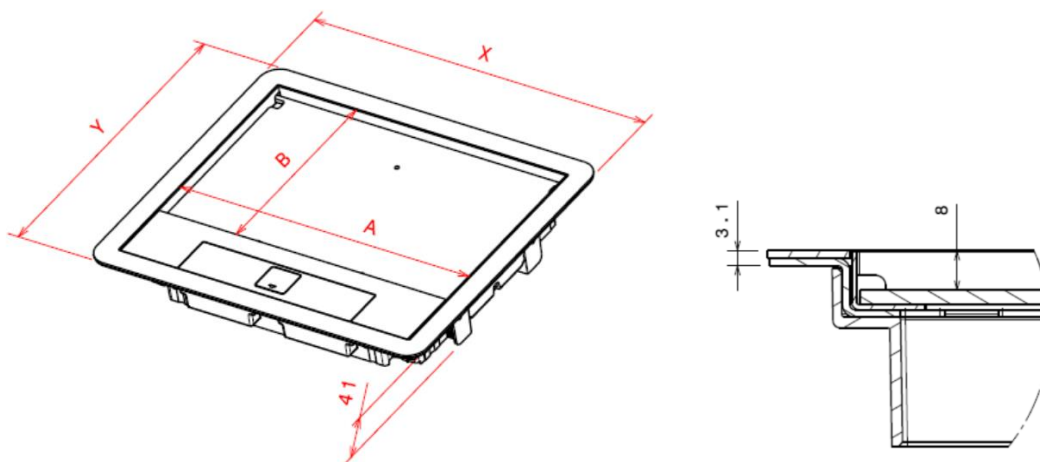
Dimensions

References	X	Y	A	B
0 880 00	286	203	244.5	116.5
0 880 01	286	241	244.5	154.8
0 880 02	286	286	244.5	199.8

4.1.2 Metal lid and trim

2 versions	8/12M	12/18M	16/24M
Metal stainless	0 880 03	0 880 04	0 880 05
Metal brass*	0 880 06	0 880 07	0 880 08

* Brass Raw Brushed : material which evolves with time : it gets veiled and takes a patina. However a regular cleaning can restore its initial appearance (cf page 69 "Cleaning")



Dimensions

References	X	Y	A	B
0 880 03 / 06	286	203	249.2	117.2
0 880 04 / 07	286	241	249.2	155.2
0 880 05 / 08	286	286	249.2	199.9



4. STANDARD FLOOR BOXES RANGE (cont.)

4.2 Locking system

	with key	without key
For plastic boxes	0 880 98	0 880 99
For metal boxes	on demand	

Installation of locking system for plastic floor box

	0 880 98		0 880 99
Remove the lid		Remove the lid	
Make a hole with a diameter of 20 mm with a step drill at the lock place inside the lid		Make a hole with a diameter of 20 mm with a step drill at the lock place inside the lid	
Insert in the keyhole the adaptation ring delivered with the lock		Insert in the keyhole the adaptation ring delivered with the lock	
Unscrew the locker nut Insert the locker in the adaptation ring (A) Screw the nut on the locker (B) Add the ring (C)		Insert the bolt in the adaptation ring (A) Using a circlip pliers to install the circlips (B) Add the ring (C)	
Assemble the lid and trim		Assemble the lid and trim	
Opened position : if cable are connected, lid and trim shouldn't be locked		Opened position : if cable connected, lid and trim should not be locked	
Closed position : cable shouldn't be connected		Closed position : cable should not be connected	

RAISED FLOOR BOXES
Standard range



Number(s) : 0 880 00 to 08 – 0 880 15 to 17 – 0880 20 to 25 – 0 880 30 to 32
– 0 880 36 to 38 – 0 880 42 to 55 – 0 880 57 – 0 880 80 to 83–
0 880 85/86/88 -0 880 89 to 92 – 0 880 95 - 0 880 98/99 – 0 881 03 to 08 –
0 881 20 to 27 – 0 881 44 to 50– 0 881 90 to 92

4. STANDARD FLOOR BOXES RANGE (cont.)

4.3 Finishing plates

Use our finishing plates or another coating : depth will not exceed 8 mm

Remove the double sided adhesive tape (A)

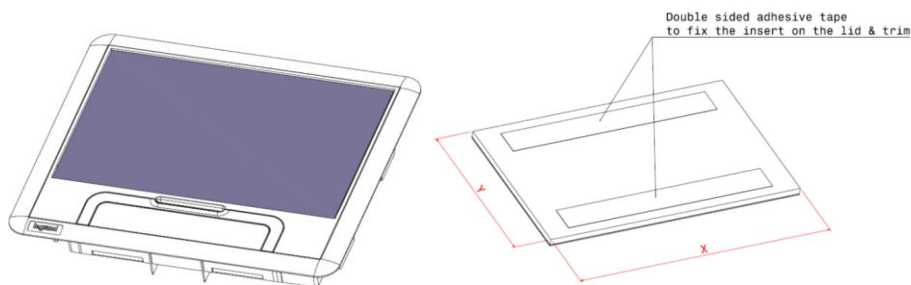
Turn over the plate at 180 ° (B)

Press the finishing plate on the top part of the lid and trim

⚠ Remove protection adhesive tape from finishing lids and plates **ONLY WHEN THE BUILDING IS READY TO RECEIVE ITS OCCUPANTS** (= heated and normal hygrometry rate 45-65 %)

4.3.1 For plastic lid and trim

1 version	8/12M	12/18M	16/24M
stainless steel finishing plate	0 880 15	0 880 16	0 880 17



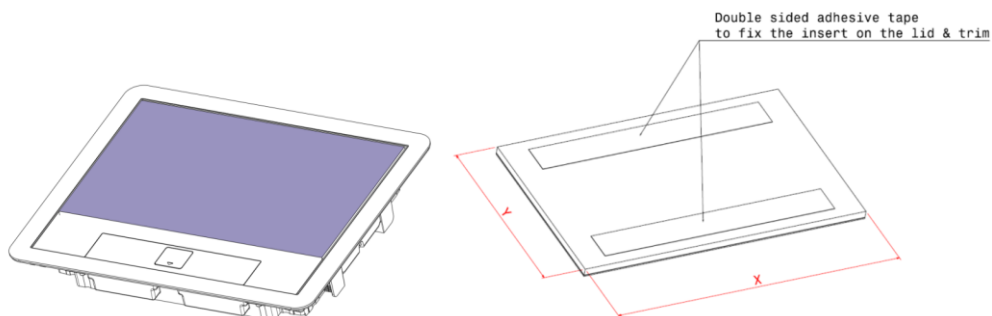
Dimensions

Références	X	Y
0 880 15	244	116
0 880 16	244	154
0 880 17	244	199

4.3.2 For metal lid and trim

2 versions	8/12M	12/18M	16/24M
stainless steel finishing plate	0 880 45	0 880 46	0 880 47
brass finishing plate*	0 880 48	0 880 49	0 880 50

* Brass Raw Brushed : material which evolves with time : it gets veiled and takes a patina. However a regular cleaning can restore its initial appearance (cf page 69 "Cleaning")



Dimensions

References	X	Y
0 880 45 / 48	248	116
0 880 46 / 49	248	154
0 880 47 / 50	248	199

RAISED FLOOR BOXES
Flush range

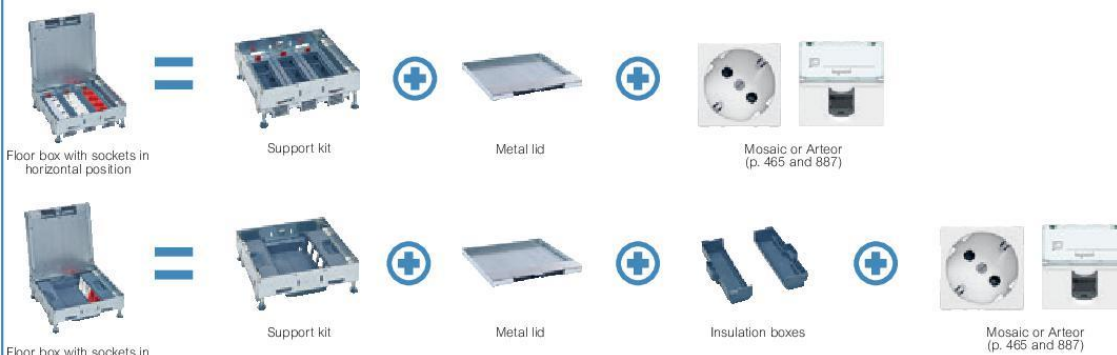


Number(s) : 0 880 00 to 08 – 0 880 15 to 17 – 0880 20 to 25 – 0 880 30 to 32 – 0 880 36 to 38 – 0 880 42 to 55 – 0 880 57 – 0 880 80 to 83– 0 880 85/86/88 –0 880 89 to 92 – 0 880 95 - 0 880 98/99 – 0 881 03 to 08 – 0 881 20 to 27 – 0 881 44 to 50– 0 881 90 to 92

SELECTION CHART

SOCKET MOUNTING POSITION	CAPACITY	FLOOR BOX SUPPORT KITS	LID FLOORING THICKNESS ≤ 15 MM		FINISHING PLATES (OPTIONAL)		INSULATION BOXES
			 Metal lid Cat.No 0 881 05 + kit Cat.No 0 881 41		 0 880 47		 0 880 27
Adjustable horizontal  H min: 92 mm (final coating included)	12 (3 x 4) modules	0 881 20	Stainless steel	0 881 03	Stainless steel	0 881 45	-
			Brass	0 881 06	Brass	0 881 48	-
	18 (3 x 6) modules	0 881 21	Stainless steel	0 881 04	Stainless steel	0 881 46	-
			Brass	0 881 07	Brass	0 881 49	-
	24 (3 x 8) modules	0 881 22	Stainless steel	0 881 05	Stainless steel	0 881 47	-
			Brass	0 881 08	Brass	0 881 50	-
Vertical  H min: 92 mm (final coating included)	8 (2 x 4) modules	0 881 23	Stainless steel	0 881 03	Stainless steel	0 881 45	0 880 26
			Brass	0 881 06	Brass	0 881 48	-
	12 (2 x 6) modules	0 881 24	Stainless steel	0 881 04	Stainless steel	0 881 46	0 880 27
			Brass	0 881 07	Brass	0 881 49	-
	16 (2 x 8) modules	0 881 25	Stainless steel	0 881 05	Stainless steel	0 881 47	0 880 28
			Brass	0 881 08	Brass	0 881 50	-
Access covers  H min: 80 mm (final coating included)	For lid 8/12 modules	0 881 39	Stainless steel	0 881 03	Stainless steel	0 881 45	-
			Brass	0 881 06	Brass	0 881 48	-
	For lid 12/18 modules	0 881 40	Stainless steel	0 881 04	Stainless steel	0 881 46	-
			Brass	0 881 07	Brass	0 881 49	-
	For lid 16/24 modules	0 881 41	Stainless steel	0 881 05	Stainless steel	0 881 47	-
			Brass	0 881 08	Brass	0 881 50	-

MOUNTING PRINCIPLE

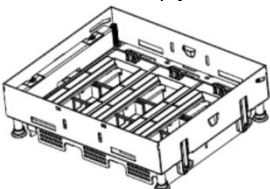
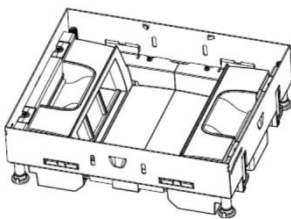
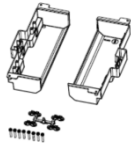
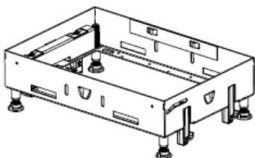


RAISED FLOOR BOXES
Flush range



Number(s) : 0 880 00 to 08 – 0 880 15 to 17 – 0880 20 to 25 – 0 880 30 to 32
– 0 880 36 to 38 – 0 880 42 to 55 – 0 880 57 – 0 880 80 to 83–
0 880 85/86/88 -0 880 89 to 92 – 0 880 95 - 0 880 98/99 – 0 881 03 to 08 –
0 881 20 to 27 – 0 881 44 to 50– 0 881 90 to 92

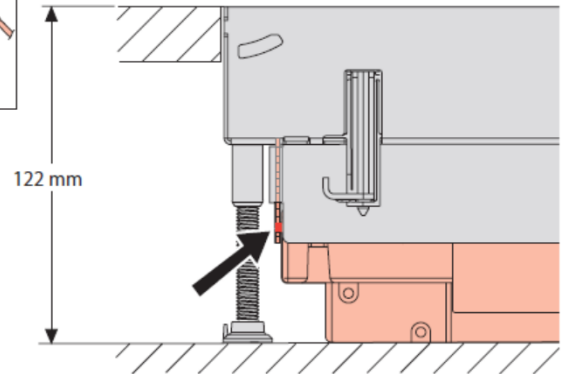
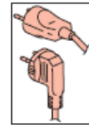
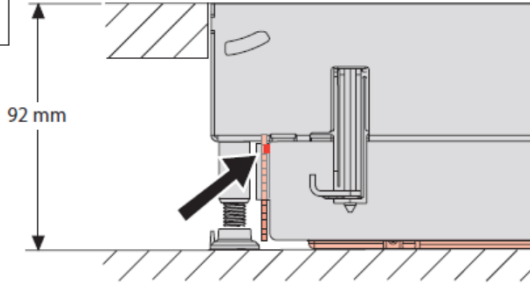
1. FRAMES & WIRING DEVICES RANGE

3 kinds of supports	Support drawing	Reference numbers of support to use	Number of modules	Reference number of insulation boxes to use	Back box drawing
Adjustable Horizontal	delivered with empty basket 	0 881 20 0 881 21 0 881 22	3x4M 3x6M 3x8M	-	-
Fixed Vertical	delivered with empty basket 	0 881 23 0 881 24 0 881 25	2x4M 2x6M 2x8M	0 880 26 0 880 27 0 880 28	
Access Trap		0 881 39 0 881 40 0 881 41			



2. FRAMES & WIRING DEVICES DIMENSIONS

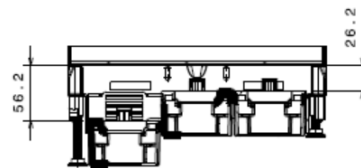
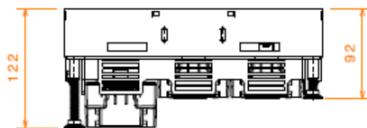
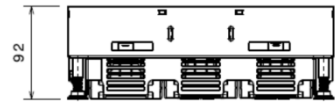
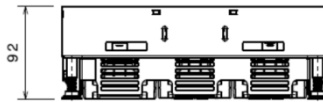
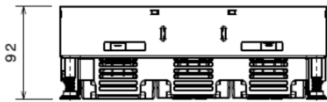
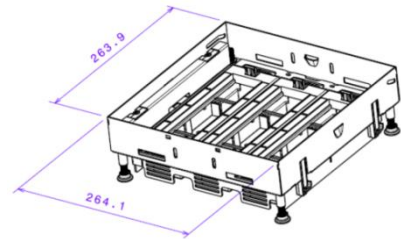
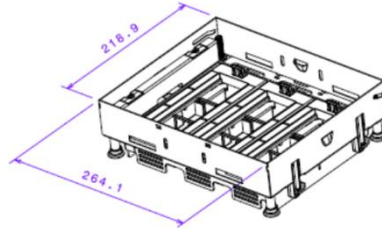
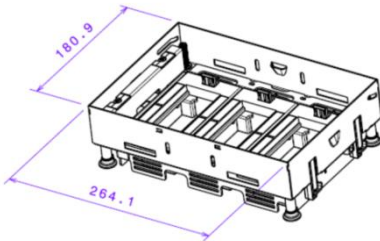
2.1 Adjustable horizontal frames reference numbers 0 88 120/121/122



0 88 120

0 88 121

0 88 122

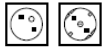




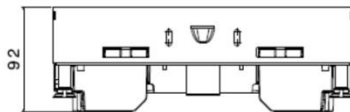
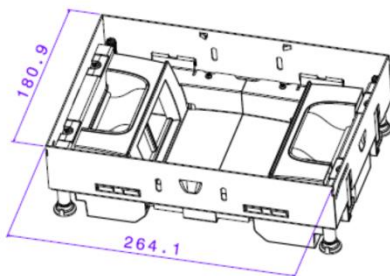
2. FRAMES & WIRING DEVICES DIMENSIONS (cont.)

2.2 Fixed Vertical frames reference numbers 0 88 123/124/125

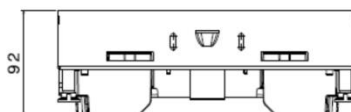
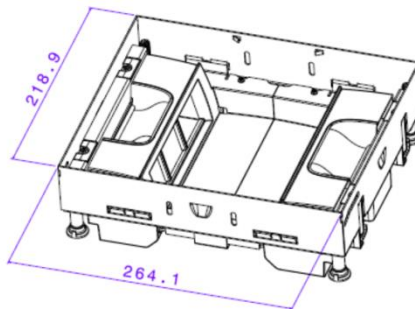
In order to connect all types of user plugs (straight and angle) and to be able to close correctly the lid, we advise to use 2 P+E sockets, 45° inclined version with upward earth pin, as below :



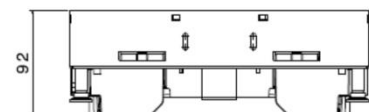
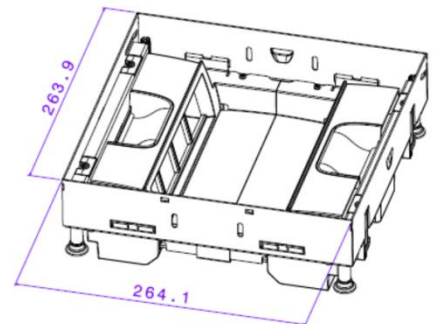
0 88 123



0 88124



0 88125



RAISED FLOOR BOXES
Flush range

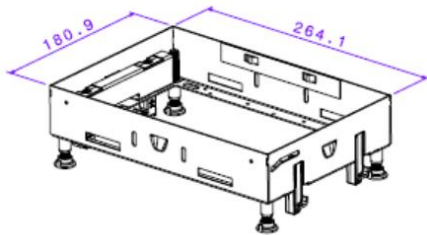


Number(s) : 0 880 00 to 08 – 0 880 15 to 17 – 0880 20 to 25 – 0 880 30 to 32
– 0 880 36 to 38 – 0 880 42 to 55 – 0 880 57 – 0 880 80 to 83–
0 880 85/86/88 -0 880 89 to 92 – 0 880 95 - 0 880 98/99 – 0 881 03 to 08 –
0 881 20 to 27 – 0 881 44 to 50– 0 881 90 to 92

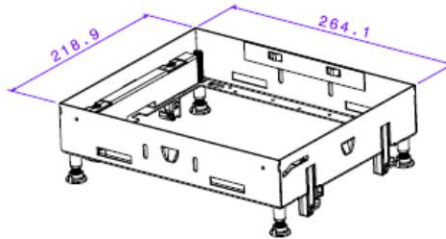
2. FRAMES & WIRING DEVICES DIMENSIONS (cont.)

2.3 Access trap reference numbers 0 881 39/40/41

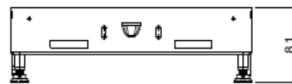
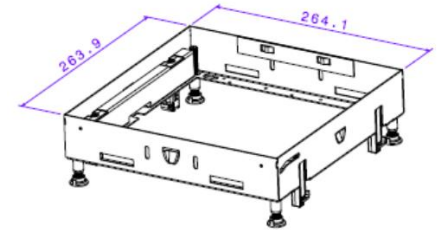
0 881 39



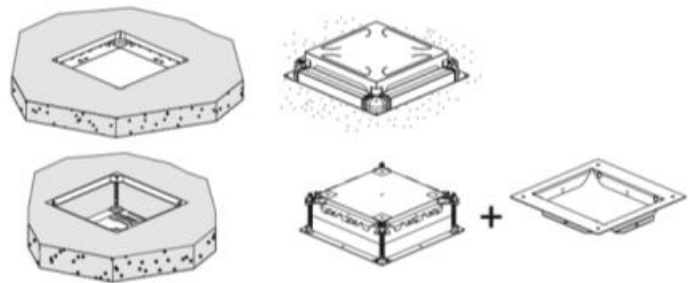
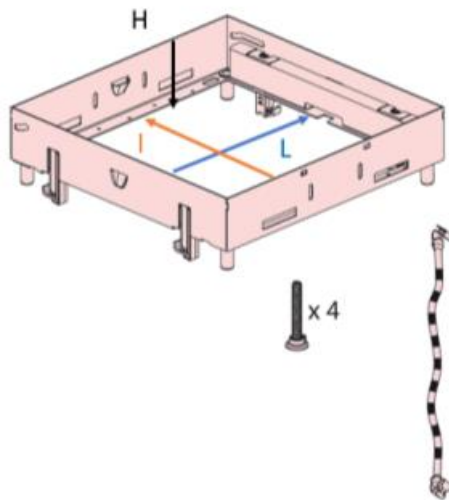
0 881 40



0 881 41



INTERNAL DIMENSIONS



	P (mm)	L (mm)
8/12 M	265	182
12/18 M	265	220
16/24 M	265	265



Please find dimensions of central part as well as the height in mm :

	Length (L)	Width (I)	Height (H)
0 881 39	231,3	147,9	51
0 881 40	231,3	185,9	51
0 881 41	231,3	230,9	51

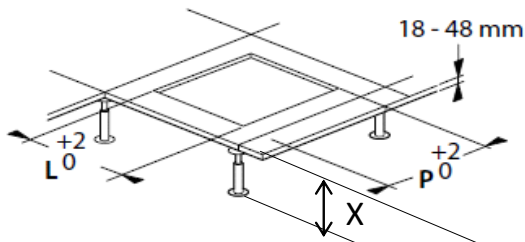


3. INSTALLATION

3.1 Floor cutting

Cut the floor according following dimensions

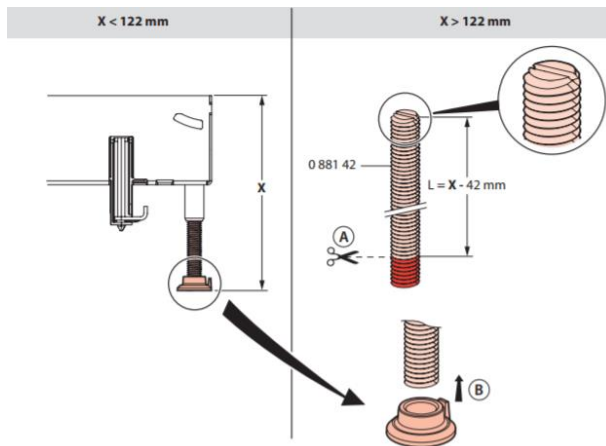
	Mini X (mm)	8/12M	12/18M	18/24M
Adjustable Horizontal	92	0 881 20	0 881 21	0 881 22
Fixed Vertical	92	0 881 23	0 881 24	0 881 25
Access trap	81	0 881 39	0 881 40	0 881 41
L (mm)		182	220	265
P (mm)		265	265	265



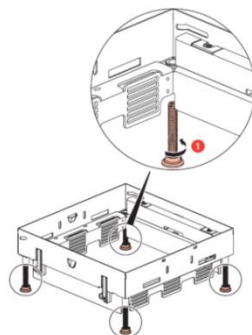
X = Floor coating included

3.2 Assembly of the frame

- If sub floor height is over 122 mm and up to 300 mm maxi, use the accessory ref. number 0 881 42 and cut the screw according to the sub floor height and fix the feet

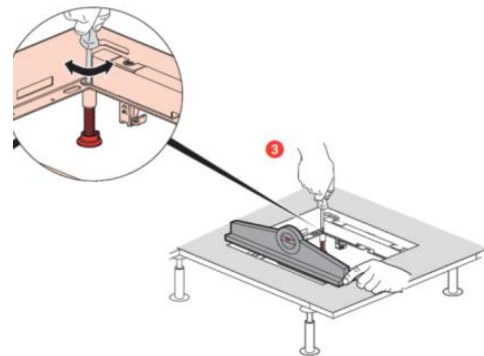
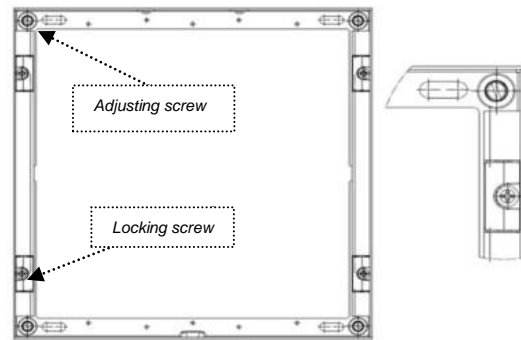


- Insert the adjusting screw

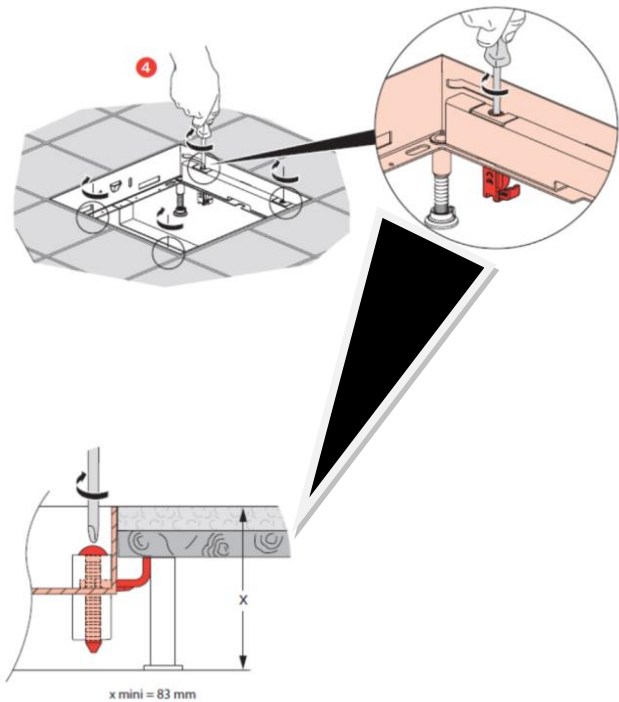


3. INSTALLATION (cont.)

- Adjust the frame to the finishing floor with the 4 adjusting screws



- Lock the frame with the locking screws





3. INSTALLATION

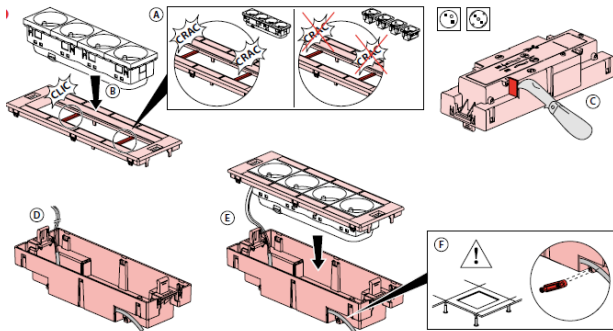
3.3 Wiring devices fitting in the different kind of frame

3.3.1 Adjustable horizontal frames

a) connection of baskets

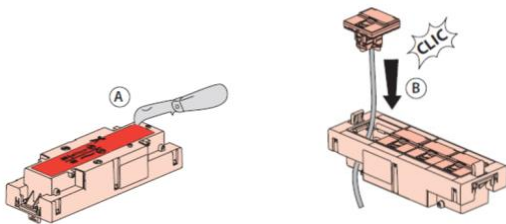
▪ 2P+E sockets only :

- Clip the sockets in the support (figure B) (in case of unitary sockets DO NOT BREAK the trigger guards (figure A))
- remove side cap (figure C)
- pass the cable through the entry (figure D)
- cable the sockets and clip the whole into the basket (figure E)
- screw cable with cable clip (figure F)



▪ For DATA sockets only :

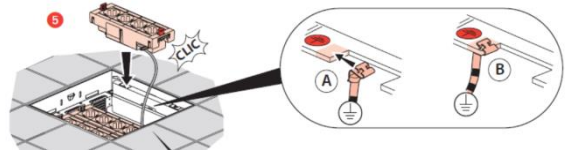
- The lateral cable entries can be used OR an arrival of cables from the bottom is possible :
- remove the inferior part (figure A)
- connect the mechanisms (figure B)



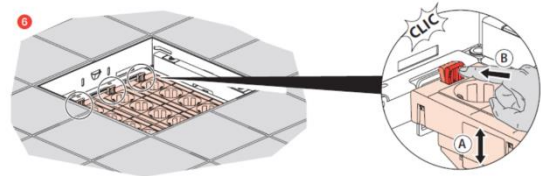
3. INSTALLATION (cont.)

b) fitting in the frame

- insert basket in the frame (figure 5)
- earth connection (A and B)

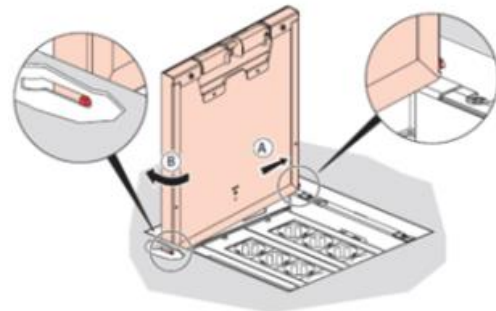


Adjust the height and push to fix



c) assembly of the lid and trim

- clip the lid and trim on frame



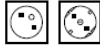


3. INSTALLATION

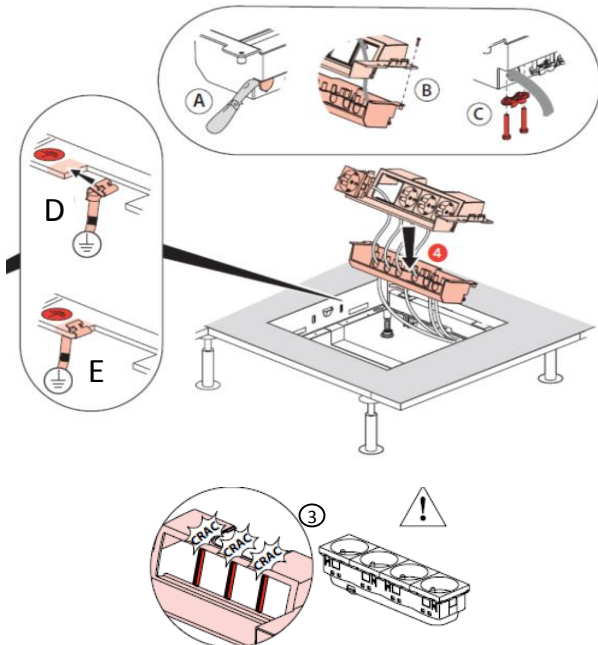
3.3.2 Fixed vertical frames

a) connection

- remove the side cap (figure A)
- insert and connect the mechanisms (figure 4)
- DO NOT BREAK the trigger guards in case of unitary sockets use (figure 3)
- In order to connect all types of user plugs (straight and angle) and to be able to close correctly the lid, we advise to use 2 P+E sockets, 45° inclined version with upward earth pin, as below :

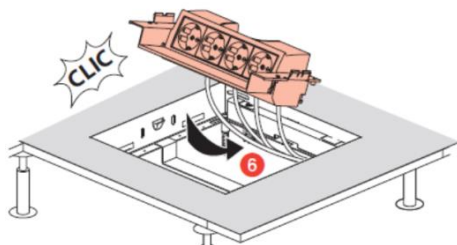


- screw it on the back box (figure B)
- fix the cable with the cable clip (figure C)
- earth connection (D and E)



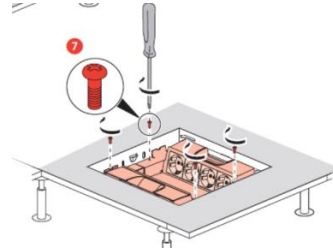
b) insertion in the frame

- insert backbox + support in the frame and clip it



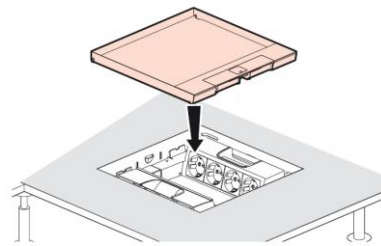
3. INSTALLATION (cont.)

- fix the support with the screw



c) assembly of the lid and trim

- clip the lid and trim on frame



RAISED FLOOR BOXES
Flush range



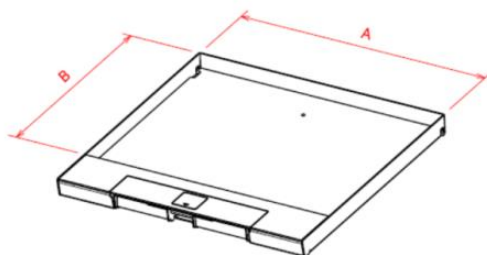
Number(s) : 0 880 00 to 08 – 0 880 15 to 17 – 0880 20 to 25 – 0 880 30 to 32
– 0 880 36 to 38 – 0 880 42 to 55 – 0 880 57 – 0 880 80 to 83–
0 880 85/86/88 – 0 880 89 to 92 – 0 880 95 - 0 880 98/99 – 0 881 03 to 08 –
0 881 20 to 27 – 0 881 44 to 50– 0 881 90 to 92

4. FLUSH FLOOR BOXES RANGE

4.1 Metal Lid and trim

2 versions	8/12M	12/18M	16/24M
Metal stainless	0 881 03	0 881 04	0 881 05
Metal brass*	0 881 06	0 881 07	0 881 08

* Brass Raw Brushed : material which evolves with time : it gets veiled and takes a patina. However a regular cleaning can restore its initial appearance (cf page 69 "Cleaning")



Dimensions

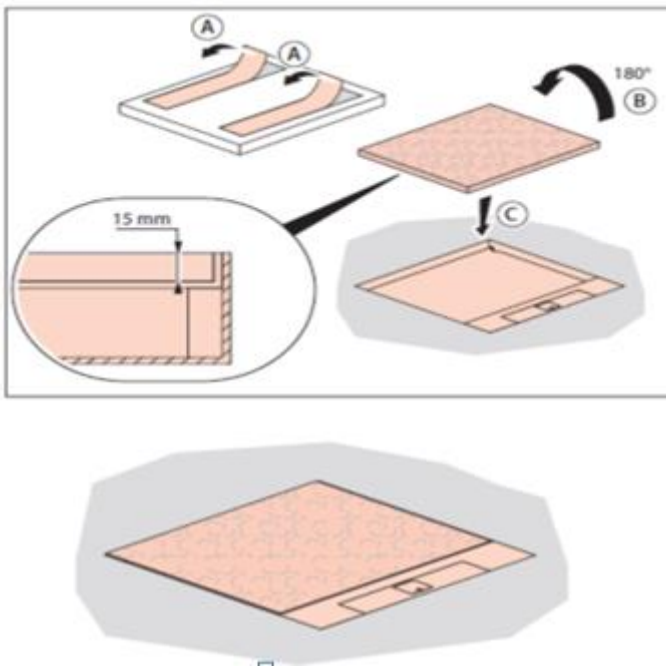
References	A	B
0 881 03 / 06	258.5	126.3
0 881 04 / 07	258.5	164.3
0 881 05 / 08	258.5	209.3



4. FLUSH FLOOR BOXES RANGE (cont.)

4.2 Finishing plate

Use our finishing plates or another coating : depth will not exceed 15 mm



Remove the double sided adhesive tape (A)

Turn over the plate at 180 ° (B)

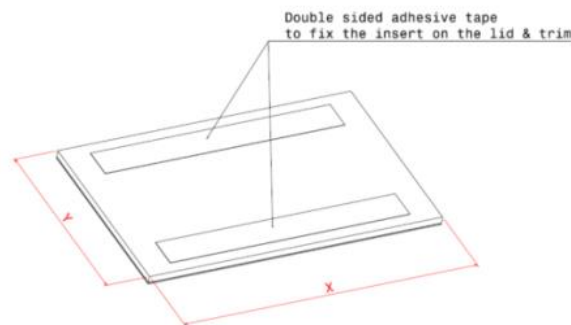
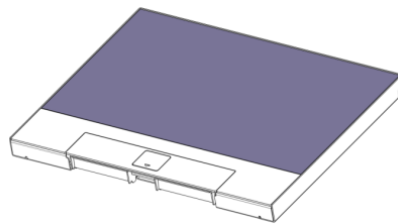
Press the finishing plate on the top part of the lid and trim (C)

⚠ Remove protection adhesive tape from finishing lids and plates **ONLY WHEN THE BUILDING IS READY TO RECEIVE ITS OCCUPANTS** (= heated and normal hygrometry rate 45-65 %)

For metal lid and trim

2 versions	8/12M	12/18M	16/24M
stainless steel finishing plate	0 881 45	0 881 46	0 881 47
brass finishing plate*	0 881 48	0 881 49	0 881 50

* Brass Raw Brushed : material which evolves with time : it gets veiled and takes a patina. However a regular cleaning can restore its initial appearance (cf page 69 "Cleaning")



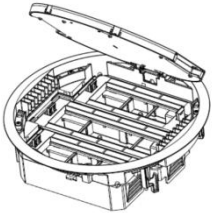
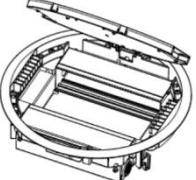
Références	X	Y
0 881 45/48	257	125
0 881 46/49	257	163
0 881 47/50	257	208

RAISED FLOOR BOXES
Round range


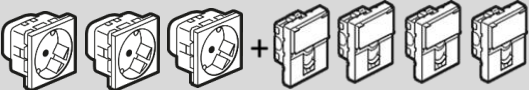
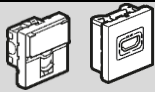


Number(s) : 0 880 00 to 08 – 0 880 15 to 17 – 0880 20 to 25 – 0 880 30 to 32
– 0 880 36 to 38 – 0 880 42 to 55 – 0 880 57 – 0 880 80 to 83 –
0 880 85/86/88 – 0 880 89 to 92 – 0 880 95 - 0 880 98/99 – 0 881 03 to 08 –
0 881 20 to 27 – 0 881 44 to 50– 0 881 90 to 92

1. FRAMES & WIRING DEVICES RANGE

2 kinds of supports delivered with back box	Support drawing	Reference numbers of support to use	Number of modules
Adjustable Horizontal	delivered with empty baskets 	0 881 26	20
Fixed Vertical	delivered with empty frames 	0 881 27	up to 16 (look at hereunder board)

Capacity of floor box nr 0 88 127
depending on configuration for optimized cabling operations

Wiring accessories	Capacity (maximum number of modules)
2P+E sockets only* 	12M (2 x 6)
Mix 	14M (6 + 8)
Data Sockets only 	16M (2 x 8)

* In order to connect all types of user plugs (straight and angle) and to be able to close correctly the lid, we advise to use 2 P+E sockets, 45° inclined version with upward earth pin, as below :



RAISED FLOOR BOXES
Round range



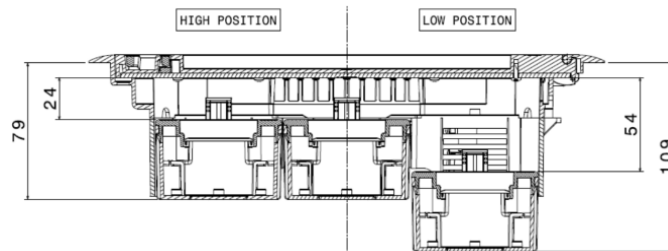
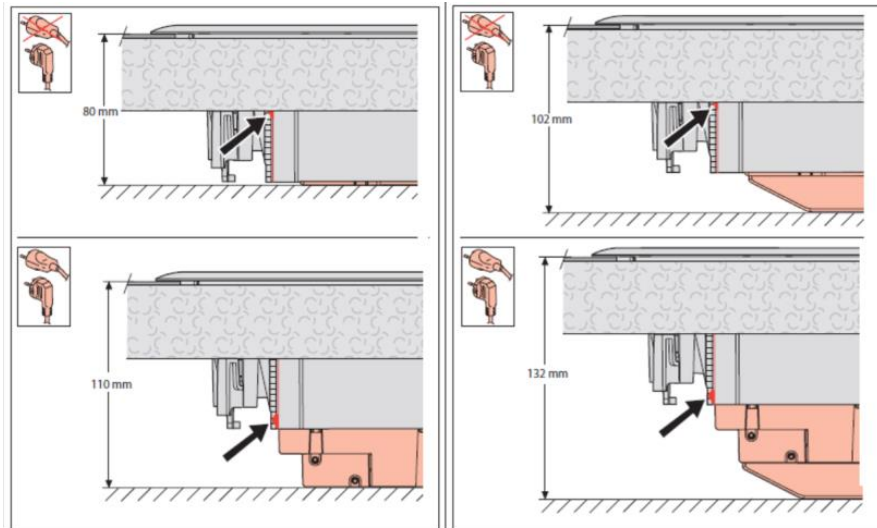
Number(s) : 0 880 00 to 08 – 0 880 15 to 17 – 0880 20 to 25 – 0 880 30 to 32
 – 0 880 36 to 38 – 0 880 42 to 55 – 0 880 57 – 0 880 80 to 83 –
 0 880 85/86/88 – 0 880 89 to 92 – 0 880 95 – 0 880 98/99 – 0 881 03 to 08 –
 0 881 20 to 27 – 0 881 44 to 50–0 881 90 to 92

2. FRAMES & WIRING DEVICES DIMENSIONS

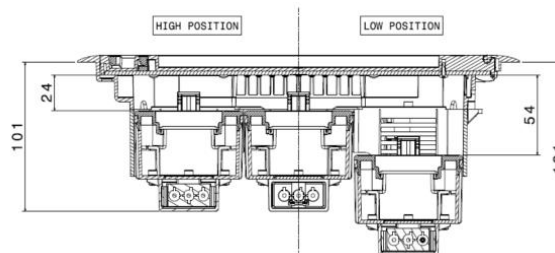
2.1 Adjustable horizontal frame reference number 0 881 26

Empty baskets

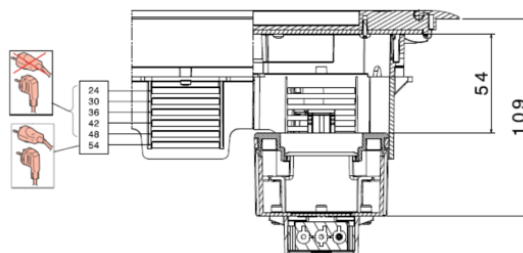
Equipped baskets with fast connecting system
Wieland®



Fast connecting system Wieland®



Dimensions (mm) of the different positions of the module



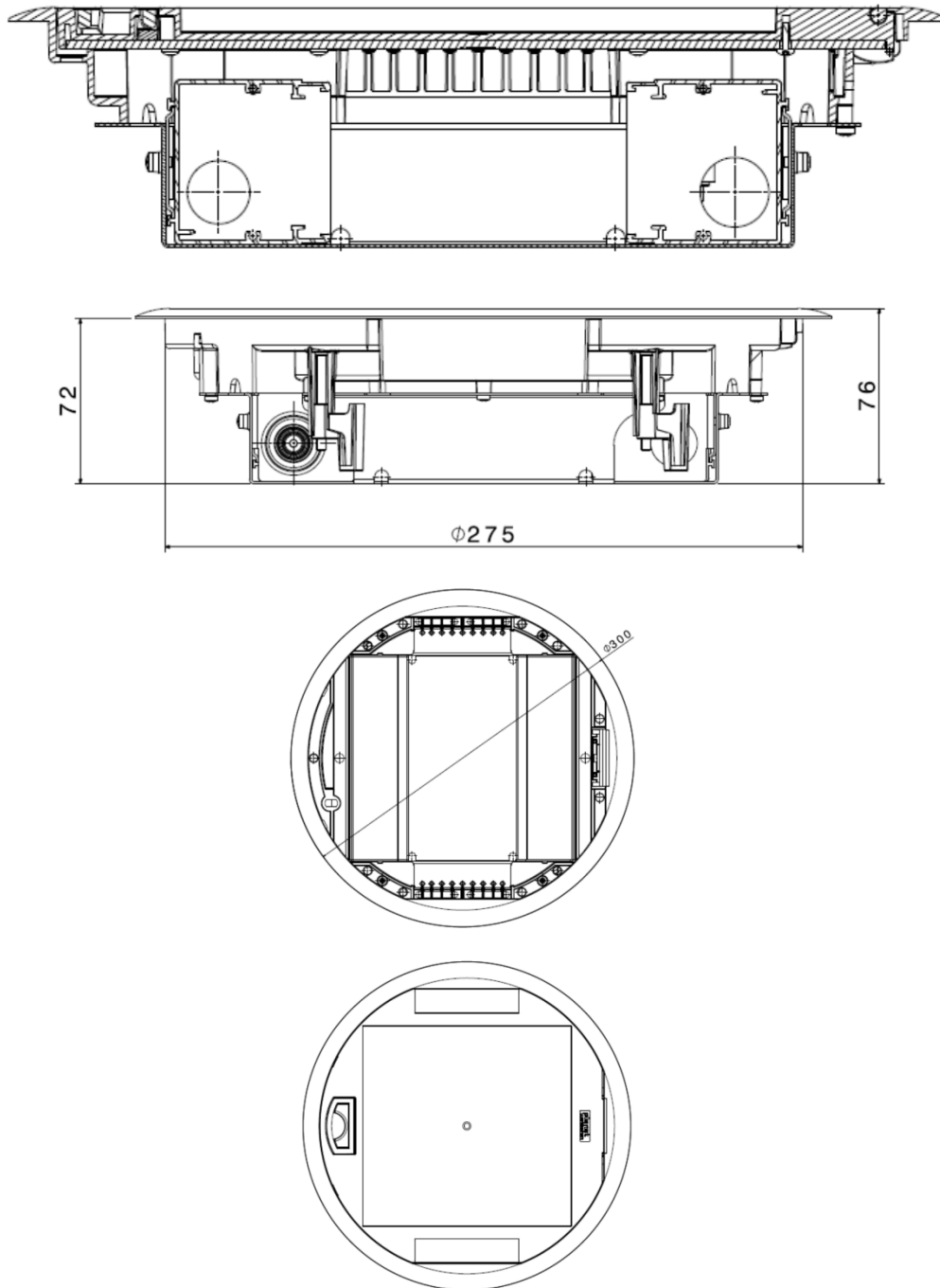
RAISED FLOOR BOXES
Round range



Number(s) : 0 880 00 to 08 – 0 880 15 to 17 – 0880 20 to 25 – 0 880 30 to 32
– 0 880 36 to 38 – 0 880 42 to 55 – 0 880 57 – 0 880 80 to 83 –
0 880 85/86/88 - 0 880 89 to 92 – 0 880 95 - 0 880 98/99 – 0 881 03 to 08 –
0 881 20 to 27 – 0 881 44 to 50– 0 881 90 to 92

2. FRAMES & WIRING DEVICES DIMENSIONS (cont.)

2.2 Fixed vertical frame reference number 0 88 127



RAISED FLOOR BOXES

Round range

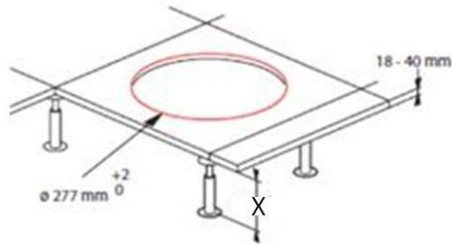


Number(s) : 0 880 00 to 08 – 0 880 15 to 17 – 0880 20 to 25 – 0 880 30 to 32 – 0 880 36 to 38 – 0 880 42 to 55 – 0 880 57 – 0 880 80 to 83 – 0 880 85/86/88 - 0 880 89 to 92 – 0 880 95 - 0 880 98/99 – 0 881 03 to 08 – 0 881 20 to 27 – 0 881 44 to 50 – 0 881 90 to 92

3. INSTALLATION

3.1 Floor cutting

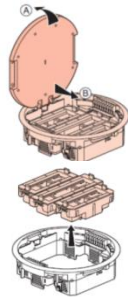
Cut the floor according following diameter and use if necessary the cardboard template delivered with the floorbox



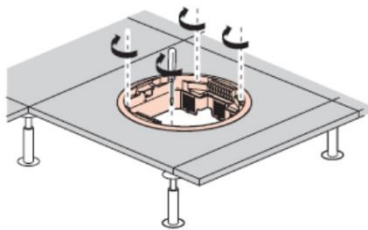
	X (mm) mini	
Adjustable Horizontal	80	0 881 26
Fixed Vertical	80	0 881 27

3.2 Adjustable horizontal box fitting

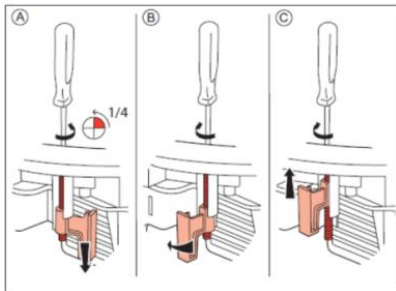
- Remove cover and baskets of wiring devices supports



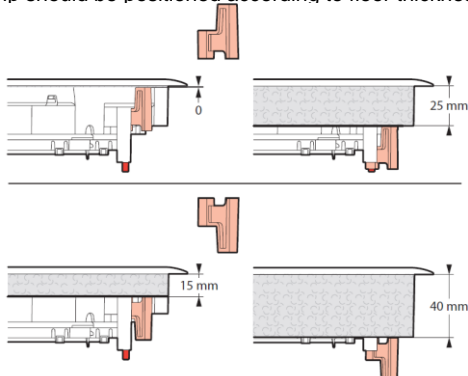
- Fix the box with the 4 screws



- Do a reverse quarter turn to unlock the clamp and screw



- The clamp should be positioned according to floor thickness

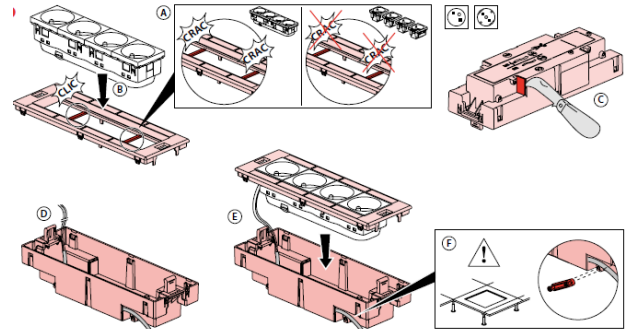


3. INSTALLATION (cont.)

a) Connection of baskets

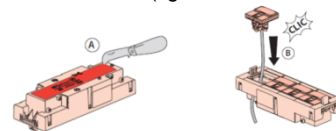
■ 2P+E sockets only :

- Clip the sockets in the support (figure B) (in case of unitary sockets DO NOT BREAK the trigger guards (figure A))
- remove side cap (figure C)
- pass the cable through the entry (figure D)
- cable the sockets and clip the whole into the basket (figure E)
- screw cable with cable clip (figure F)

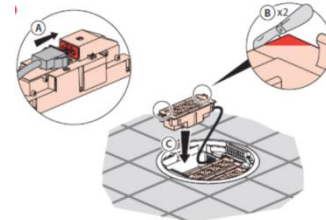


■ For DATA sockets only :

- the lateral cable entries can be used OR an arrival of cables from the bottom is possible :
- remove the inferior part (figure A)
- connect the mechanisms (figure B)

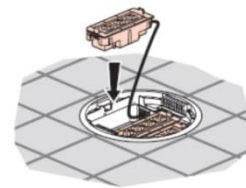


■ for equipped and pre-wired sockets with best connecting system

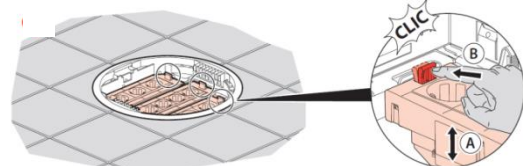


b) fitting in the frame

- insert basket in the frame

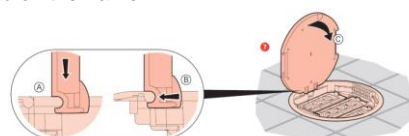


- adjust the height and push to fix



c) assembly of the lid and trim

- Clip the lead on the frame

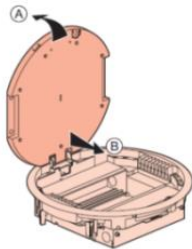




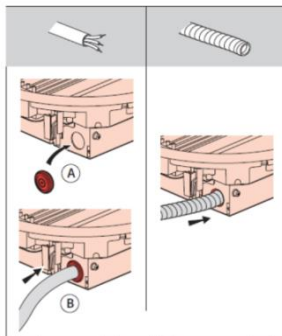
3. INSTALLATION (cont.)

3.3 Fixed Vertical box fitting

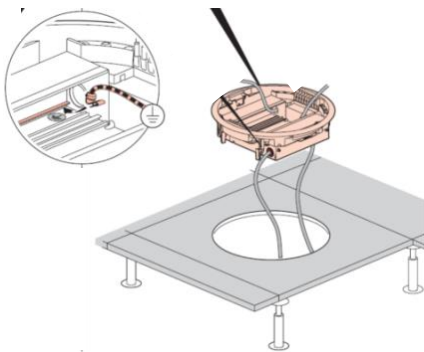
- Remove the lead cover



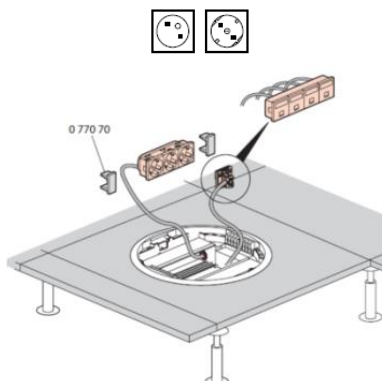
- A) If you use cable, add the cable protection
- B) Insert cable



- Connect mechanism and the earth pin

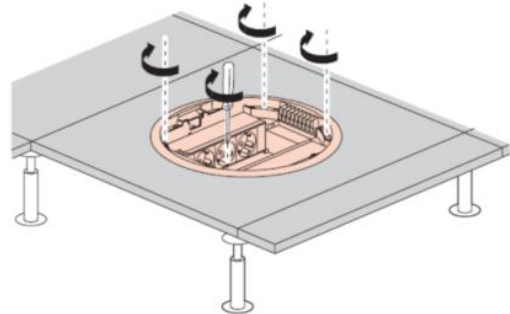


- For socket, capacity is 6 modules, so use the blanking plate. For data, capacity is 8 modules
- In order to connect all types of user plugs (straight and angle) and to be able to close correctly the lid, we advise to use 2 P+E sockets, 45° inclined version with upward earth pin, as below :

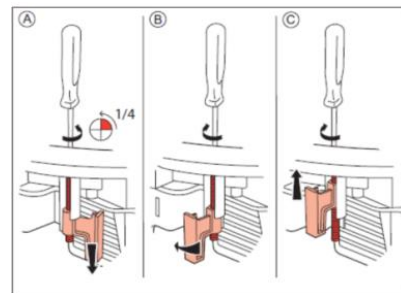


3. INSTALLATION (cont.)

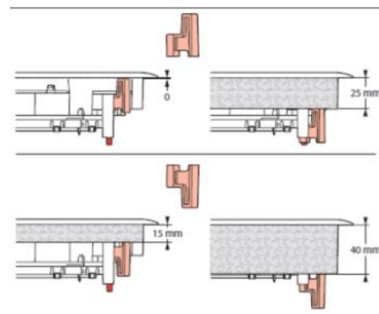
- Fix the box in floor with the 4 screws



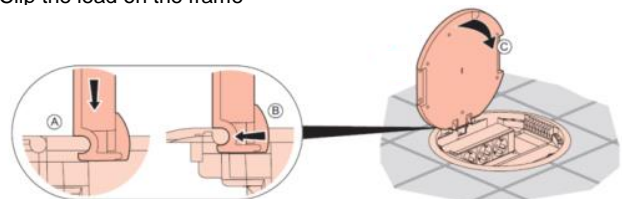
- Do a reverse quarter turn to unlock the clamp and screw



- The clamp should be positioned according to floor thickness



- Clip the lead on the frame



RAISED FLOOR BOXES
Round range



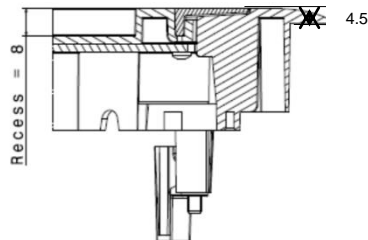
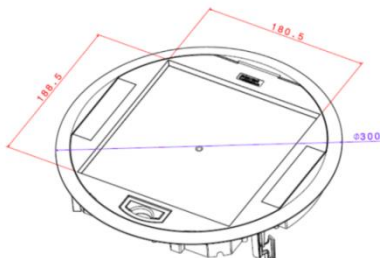
Number(s) : 0 880 00 to 08 – 0 880 15 to 17 – 0880 20 to 25 – 0 880 30 to 32 – 0 880 36 to 38 – 0 880 42 to 55 – 0 880 57 – 0 880 80 to 83 – 0 880 85/86/88 - 0 880 89 to 92 – 0 880 95 - 0 880 98/99 – 0 881 03 to 08 – 0 881 20 to 27 – 0 881 44 to 50– 0 881 90 to 92

4. ROUND FLOOR BOX RANGES (cont.)

4.1 Lid & trim

4.1.1 Plastic lid & trim

3 versions	Reference numbers
Adjustable horizontal	0 88 126
Fixed horizontal	0 88 128
Fixed vertical	0 88 127



4.2 Locking system

	with key	without key
For plastic boxes	0 880 98	0 880 99

Installation of locking system

Remove the lid		Remove the lid	
Make a hole with a diameter of 20 mm with a step drill at the lock place inside the lid		Make a hole with a diameter of 20 mm with a step drill at the lock place inside the lid	
Insert in the keyhole the adaptation ring delivered with the lock		Insert in the keyhole the adaptation ring delivered with the lock	
Unscrew the locker nut Insert the locker in the adaptation ring (A) Screw the nut on the locker (B) Add the ring (C)		Insert the bolt in the adaptation ring (A) Using a circlip pliers to install the circlips (B) Add the ring (C)	
Assemble the lid and trim		Assemble the lid and trim	
Opened position : if cable are connected, lid and trim shouldn't be locked		Opened position : if cable connected, lid and trim should not be locked	
Closed position : cable shouldn't be connected		Closed position : cable should not be connected	

RAISED FLOOR BOXES
Round range



Number(s) : 0 880 00 to 08 – 0 880 15 to 17 – 0880 20 to 25 – 0 880 30 to 32 – 0 880 36 to 38 – 0 880 42 to 55 – 0 880 57 – 0 880 80 to 83 – 0 880 85/86/88 -0 880 89 to 92 – 0 880 95 - 0 880 98/99 – 0 881 03 to 08 – 0 881 20 to 27 – 0 881 44 to 50– 0 881 90 to 92

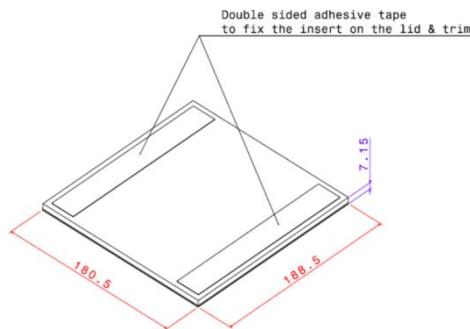
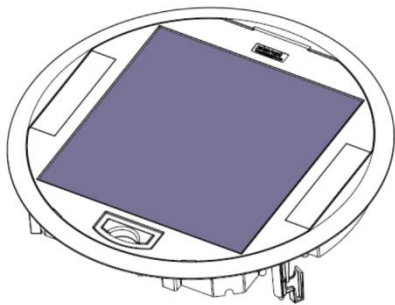
4. ROUND FLOOR BOX RANGES (cont.)

4.3 Finishing plates

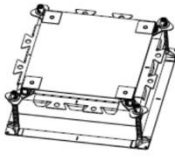
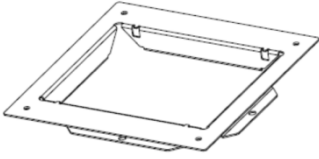
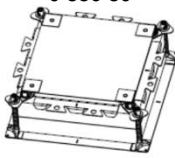
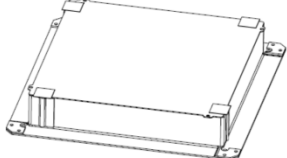
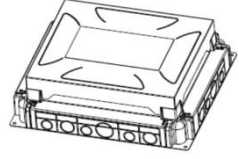
<p>Use our finishing plates or another coating ; depth will not exceed 8 mm</p>		<p>Remove the double sided adhesive tape (A)</p> <p>Turn over the plate at 180° (B)</p> <p>Press the finishing plate on the top part of the lid and trim (C)</p> <p>⚠ Remove protection adhesive tape from finishing lids and plates ONLY WHEN THE BUILDING IS READY TO RECEIVE ITS OCCUPANTS (= heated and normal hygrometry rate 45-65 %)</p>
---	--	---

For plastic lid & trim

1 version	Reference number
stainless steel finishing plate	0 881 44



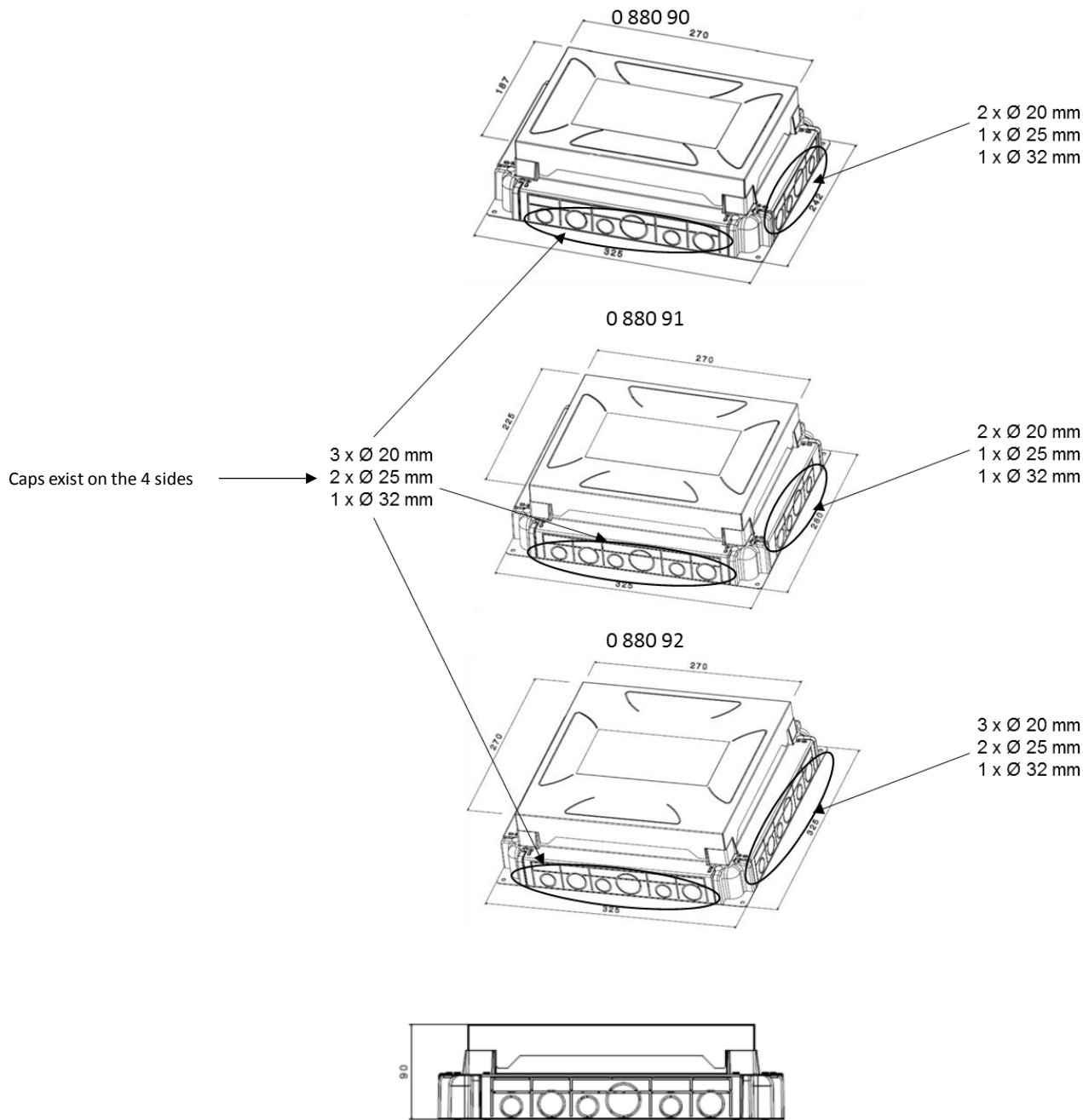
1. BACK BOXES RANGE

5 kinds of fitting Standard version floor box	Back boxes to use				Back box drawing
	Auto adjustable back box		Universal back box		
	Reference numbers	Screed thickness	Reference numbers	Screed thickness	
Adjustable Horizontal	0 880 90* 0 880 91* 0 880 92*	≥ 80	0 880 80+0 880 81 0 880 80+0 880 82 0 880 80+0 880 83 ou 0 880 80+0 880 85	≥ 92 without fast connecting system or ≥ 102 with fast connecting system	<p>0 880 80</p>  <p>+ 0 880 81/82/83</p>  <p>or</p> <p>0 880 80</p>  <p>+ 0 880 85</p>  <p>0 880 90/91/92</p> 
To be equipped with	0 880 90 0 880 91 0 880 92	≥ 80	0 880 80+0 880 81 0 880 80+0 880 82 0 880 80+0 880 83 ou 0 880 80+0 880 85	≥ 92 without fast connecting system or ≥ 102 with fast connecting system	
Fixed horizontal	X		0 880 80+0 880 81 0 880 80+0 880 82 0 880 80+0 880 83 ou 0 880 80+0 880 85	≥ 96	
Fixed vertical	0 880 90 0 880 91 0 880 92	≥ 68	0 880 80+0 880 81 0 880 80+0 880 82 0 880 80+0 880 83 ou 0 880 80+0 880 85	≥ 68	
Access Trap	0 880 90 0 880 91 0 880 92	-	0 880 80+0 880 81 0 880 80+0 880 82 0 880 80+0 880 83 ou 0 880 80+0 880 85	-	

1. BACK BOXES RANGE (cont.)

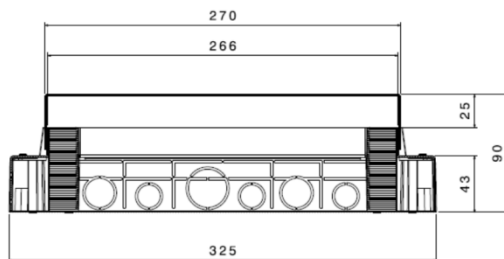
1.1 Auto adjustable back box reference numbers 0 880 90/91/92

1.1.1 Dimensions

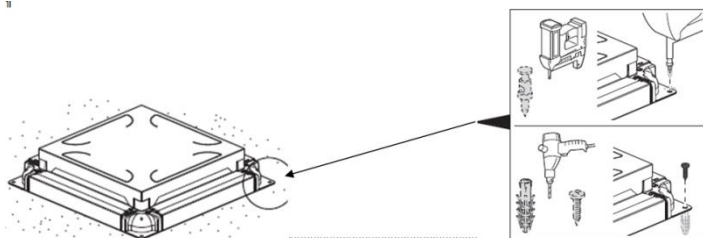


1. BACK BOXES RANGE (cont.)

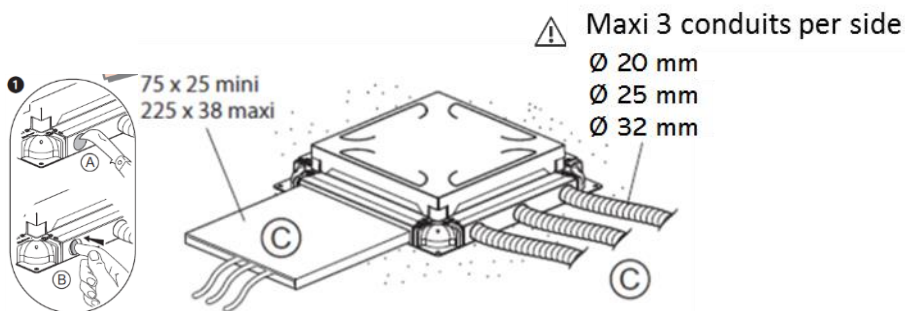
1.1.2. Pouring concrete



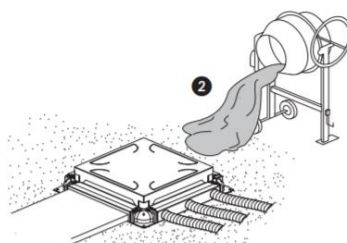
Fix the back box on the slab



Put the trunking or flexible conduits (use a tool to fold), the side plates (figure 1) have to be cut out to fit the required ducting and/or conduits

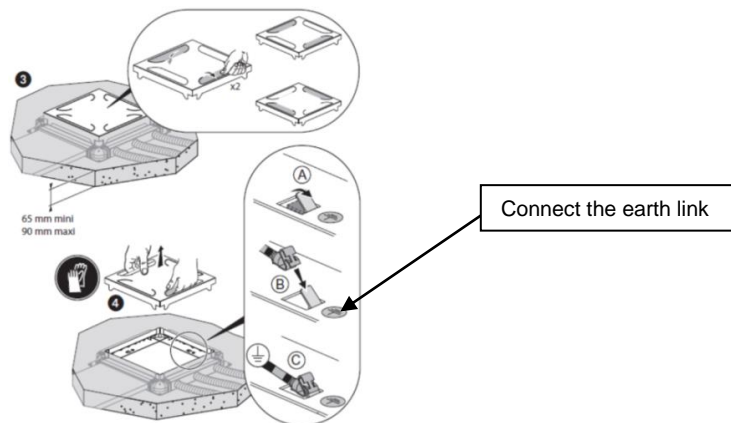


Pour the concrete



⚠ in case of very fluid concrete (such as anhydrite for example), please make sure of the back box sealing before pouring concrete : put some adhesive tape on unsafe area (for example : cover, conduits inputs, trunking)

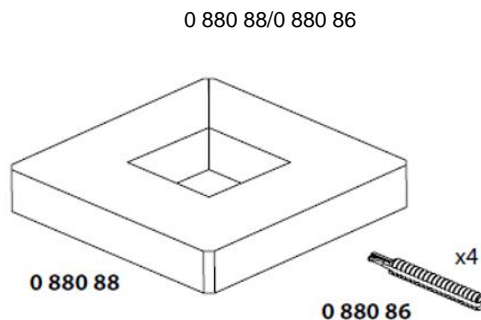
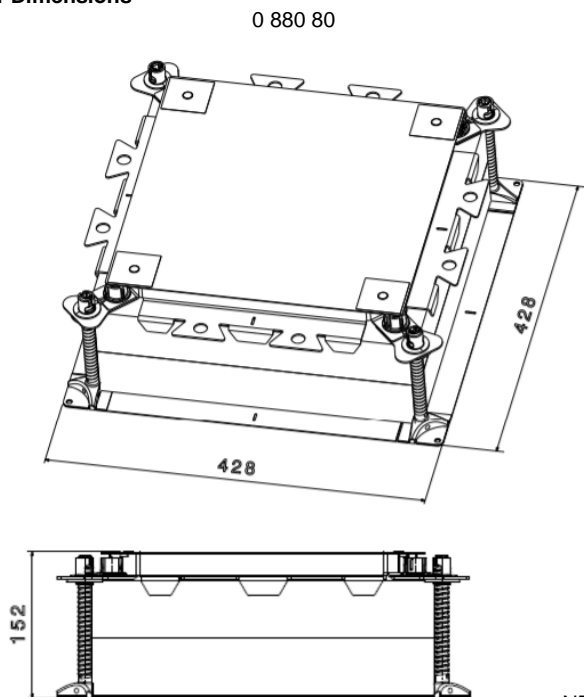
Push to fold and pull up the metal protection to install the floor boxes



1. BACK BOXES RANGE(cont.)

1.2 Adjustable back box reference number 0 880 80

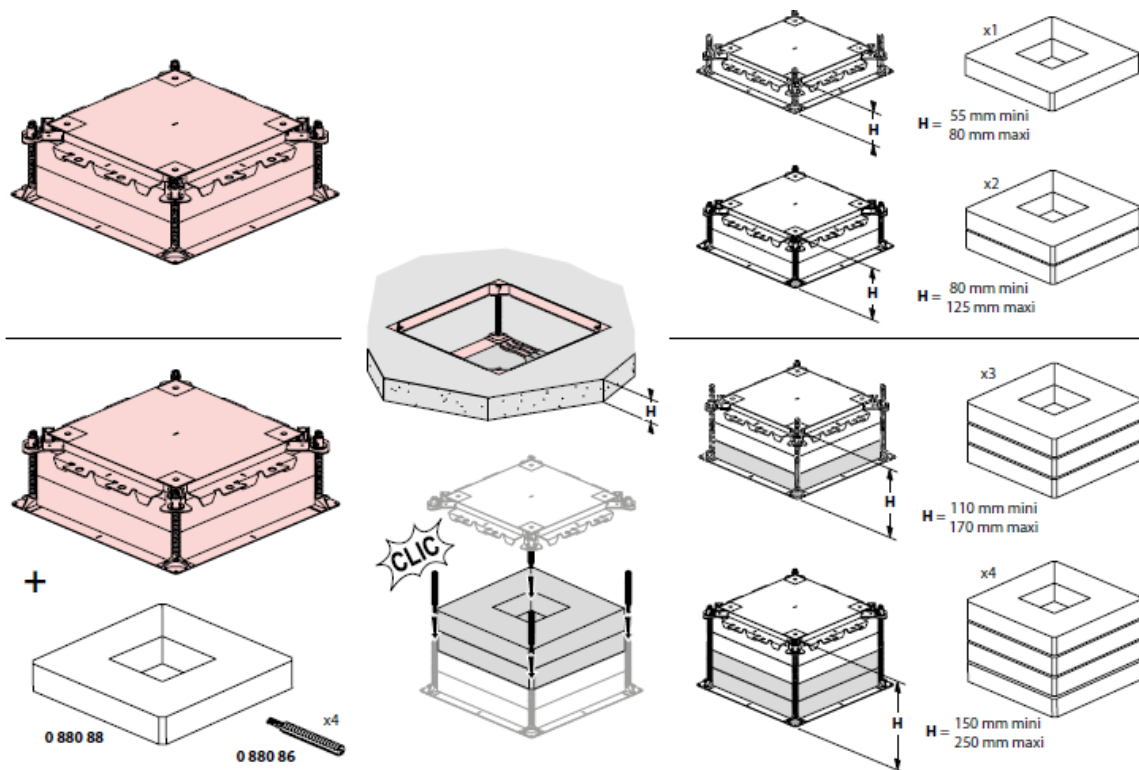
1.2.1 Dimensions



NB : until stocks depletion, there is one extension kit reference number 0 880 87 which contains 2 X 0 880 88 + 1 X 0 880 86

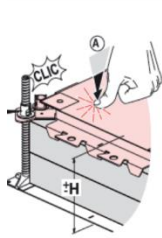
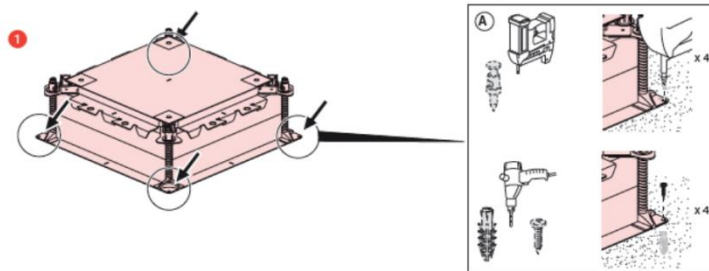
1.2.2 Pouring concrete

Adapt the foam block number to the expected screed thickness

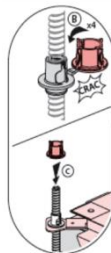


1. BACK BOXES RANGE (cont.)

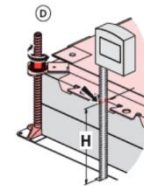
Fix the backboxes on the slab



Do the 1st adjustment : push until reaching the necessary dimension (H)

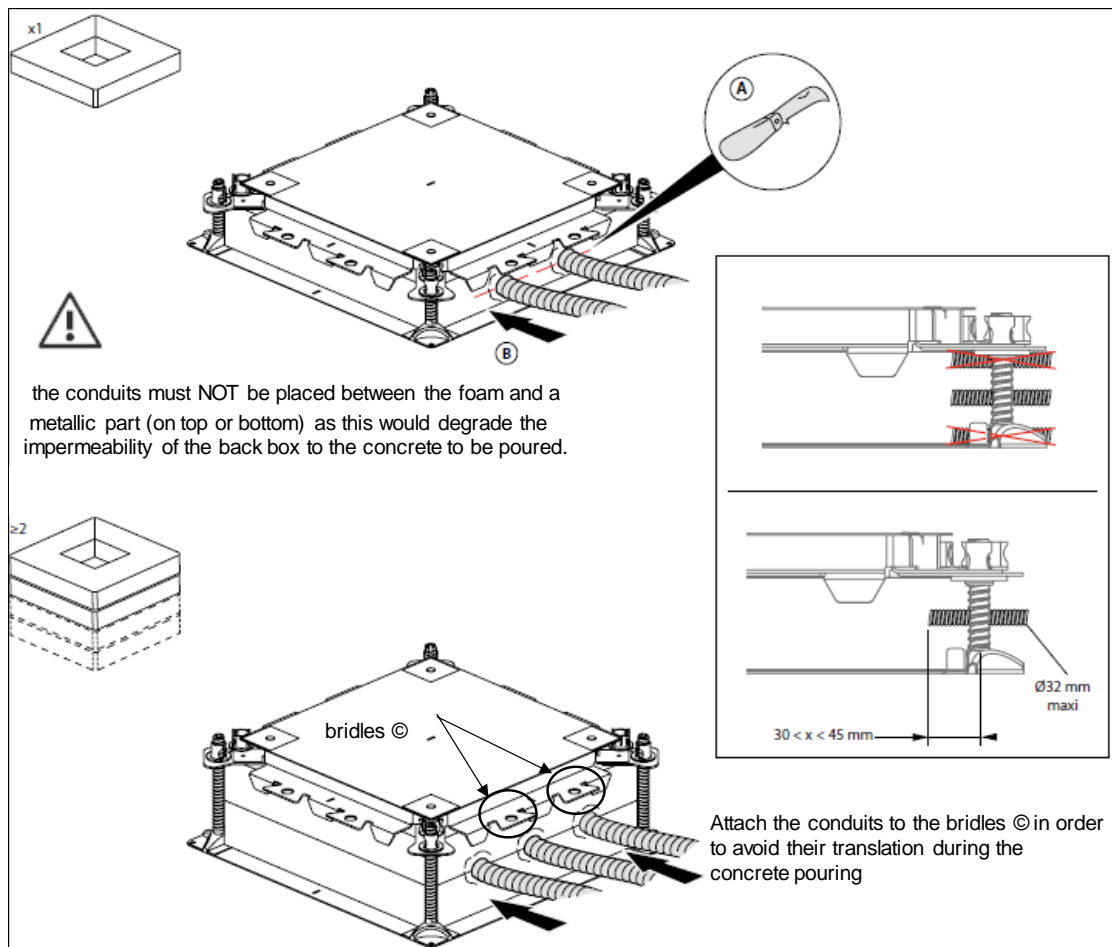


Break the nut and clip it



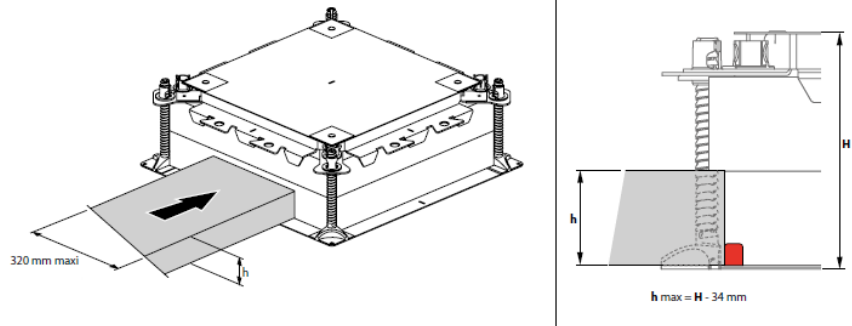
Use the nut and adjust precisely the floor box height

- If the back box is fed by pipes / conduits : Then insert conduits (figure B) between the foam blocks or drill if only 1 foam block (figure A)



1. BACK BOXES RANGE (cont.)

If the back box is fed by underfloor trunkings

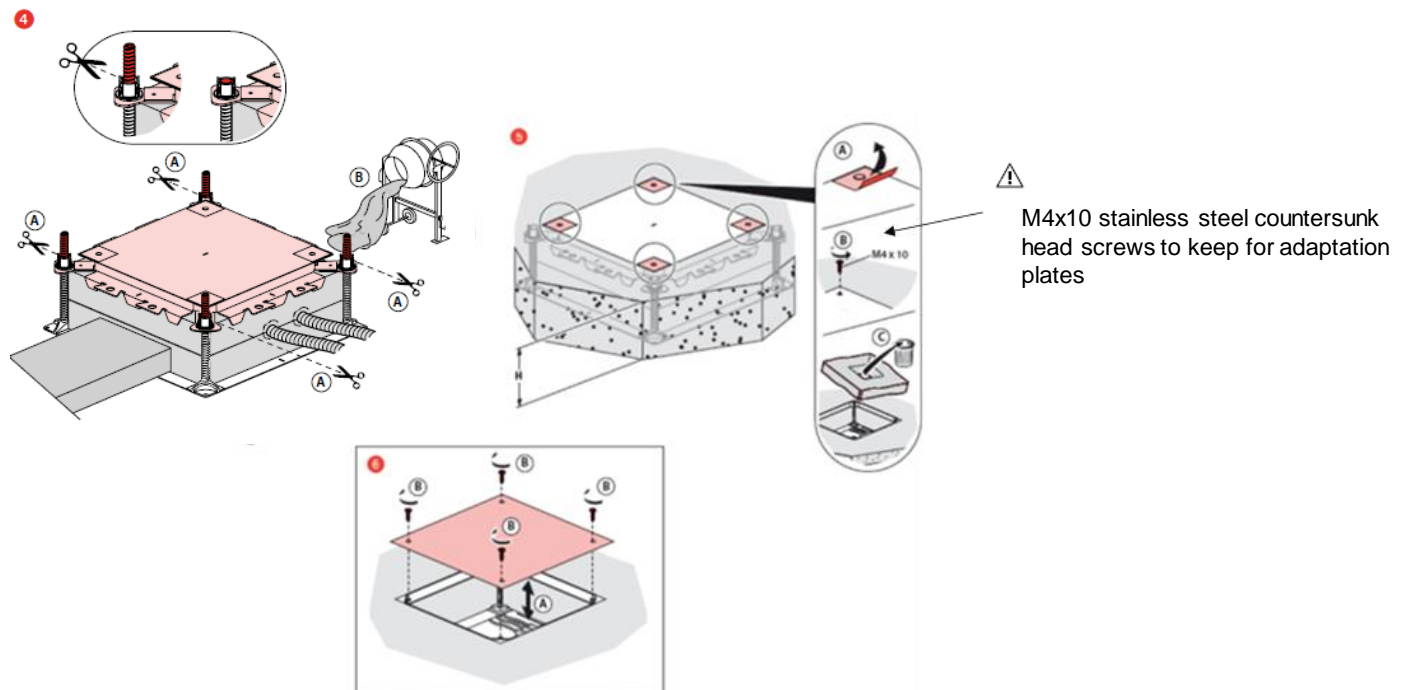


Then Push the trunking against the foam to the stop

The height "h" of the trunking is calculated as follows : $h \text{ max} = H - 34 \text{ mm}$ ("H" being the height of concrete screed)

Cut the adjustment feet (figure 4A) and pour the concrete (figure 4B).

Let dry and remove the 4 stickers (figure 5A) and screws that you have to keep for (figure 5B) and remove foam blocks (figure 5C)



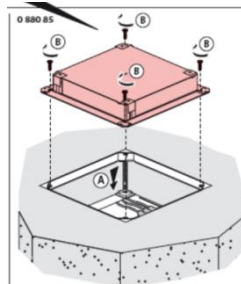
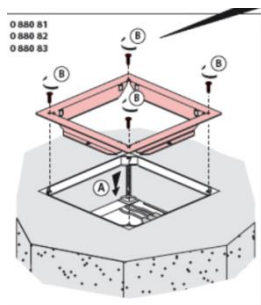
1. BACK BOXES RANGE (cont.)

With the screws you have to keep for,

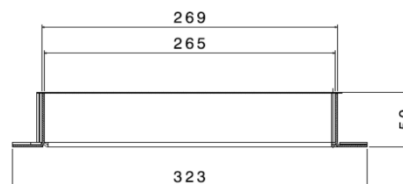
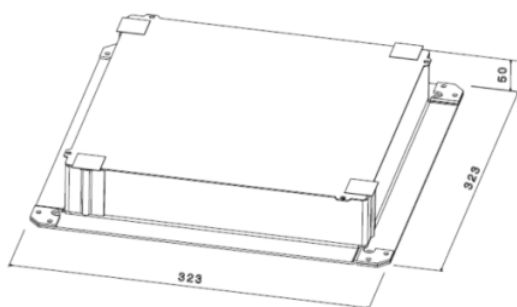
Add the accessory reference numbers 0 880 81 or 82 or 83

or

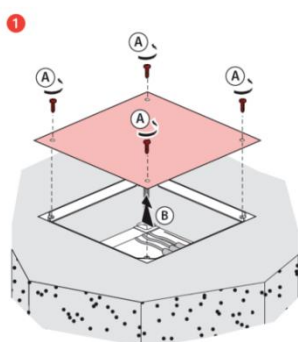
0 880 85 (for waxed concrete or polished concrete and fit on standard square floor box 286x286 mm) : **don't allow the use of floor boxes flush version**



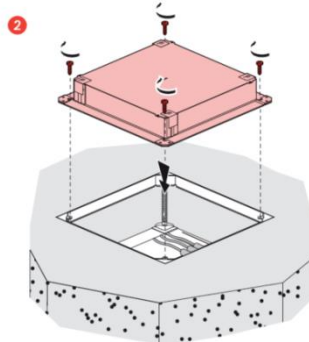
Dimensions of reference number 0 880 85 for polished concrete



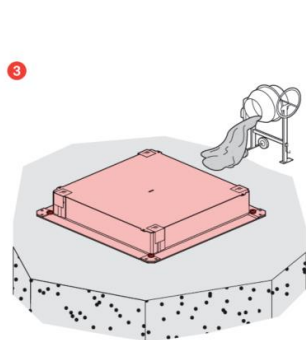
Installation



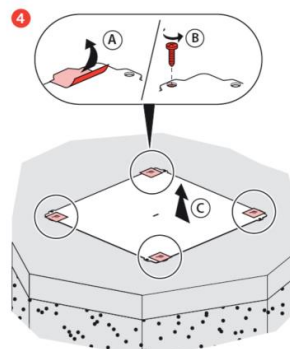
Remove the screws



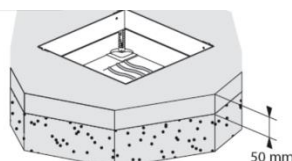
Add the accessory reference number 0 880 85



Pour the concrete



Remove stickers and screws

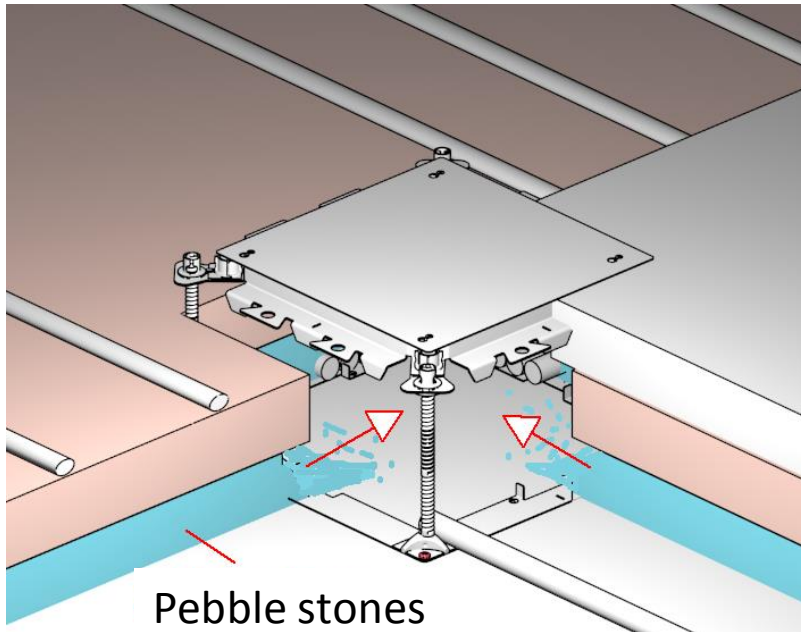


Once concrete is dry, screw the frame support of the standard square floor box (286x286mm)

1. BACK BOXES RANGE (cont.)

1.2.3 Special case: A first layer of pebble stones before pouring concrete

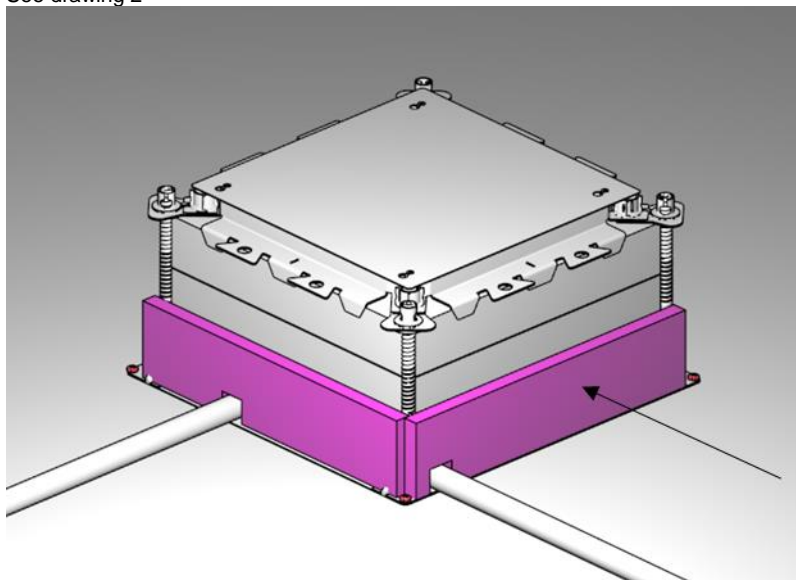
The back box is designed to be impervious only to concrete to be poured and therefore hardens on drying. A first layer of pebble stones before pouring the concrete would so penetrate the volume at the moment when one would remove the foam blocks (see drawing 1).



This could weaken the ground around the box.

Therefore, in such a case, it will be necessary to create on the 4 faces of the back box a physical barrier (not provided) that will remain in the ground (wooden planks, polystyrene blocks ... according to local regulations).

See drawing 2



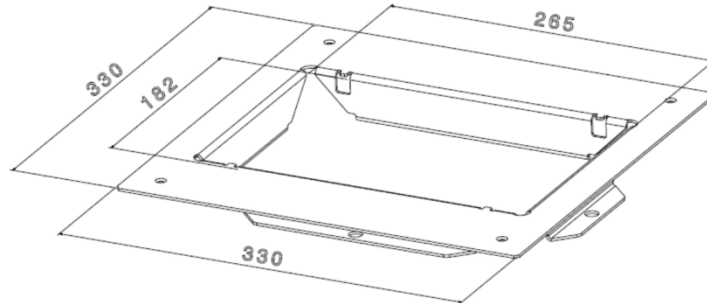
Physical barrier (not provided)

1. BACK BOXES RANGE (cont.)

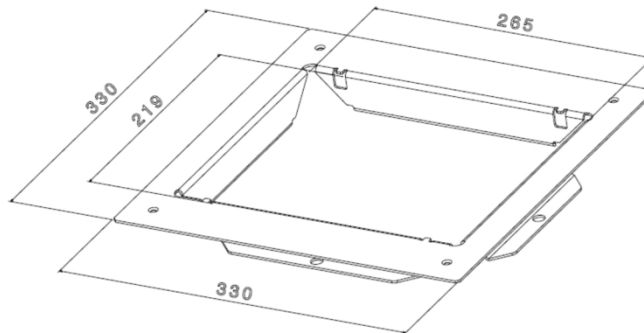
1.3 Adaptation plate reference numbers 0 880 81/82/83

Dimensions

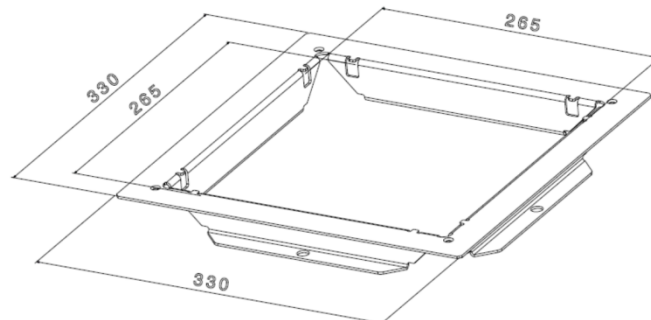
0 880 81



0 880 82



0 880 83



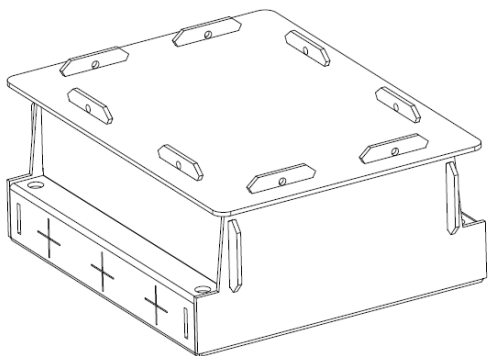
1. BACK BOXES RANGE (cont.)

1.4 Renovation Back box cat n° 0 881 90 to 92

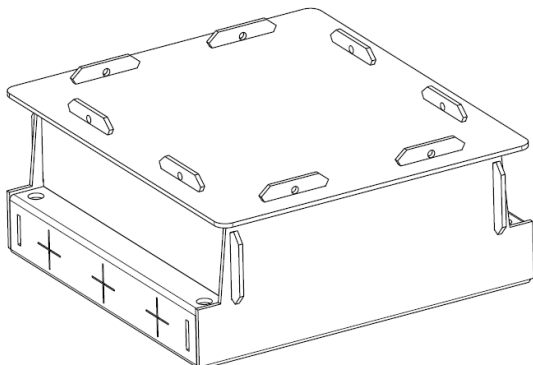
This under-floor back box for concrete floor allows pouring the concrete over flexible conduits before installing floor boxes Standard version only.
Material : Polypropylene alveolar folding box + 4 rigid plastic parts to be placed in the inside corners.
The back box has to be folded and assembled during installation.

1.4.1 Dimensions once assembled

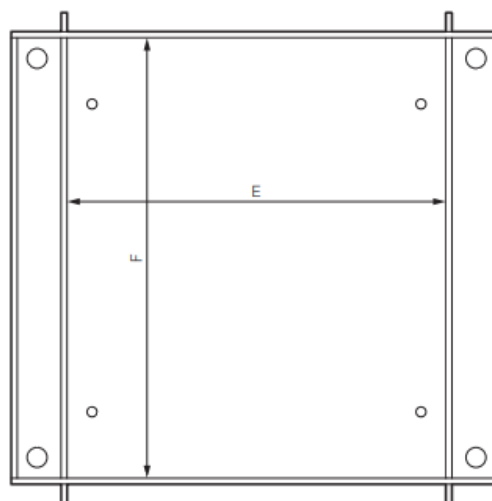
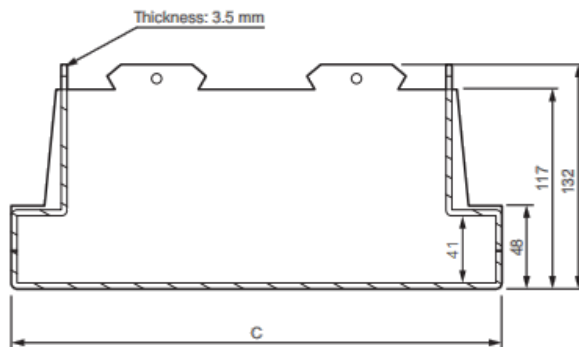
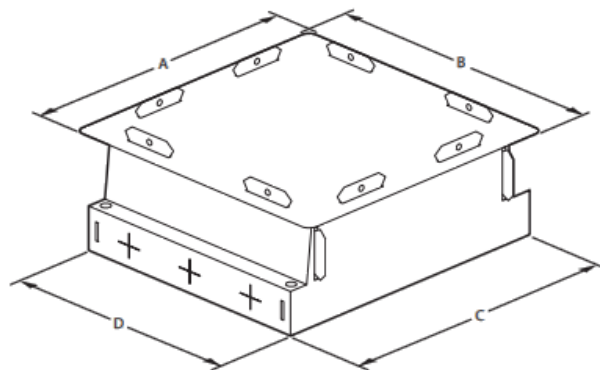
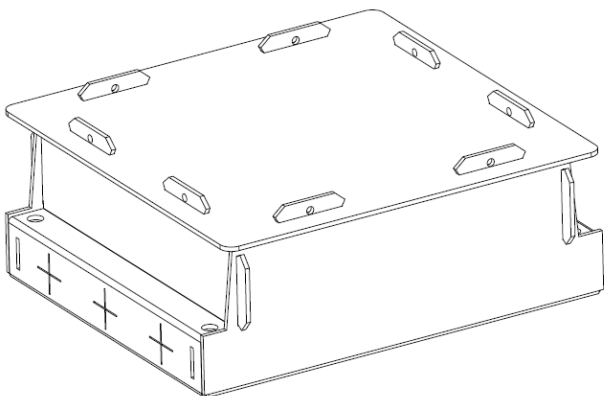
0 881 90



0 881 91



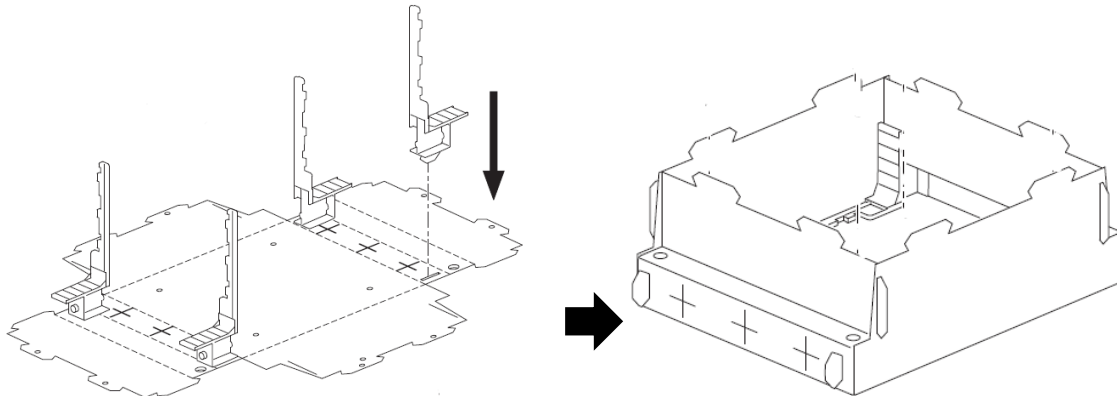
0 881 92



Cat.No	A (mm)	B (mm)	C (mm)	D (mm)	E (mm)	F (mm)
0 881 90	237		257		190	
0 881 91	275	312	295	272	228	265
0 881 92	320		340		273	

1. BACK BOXES RANGE (cont.)

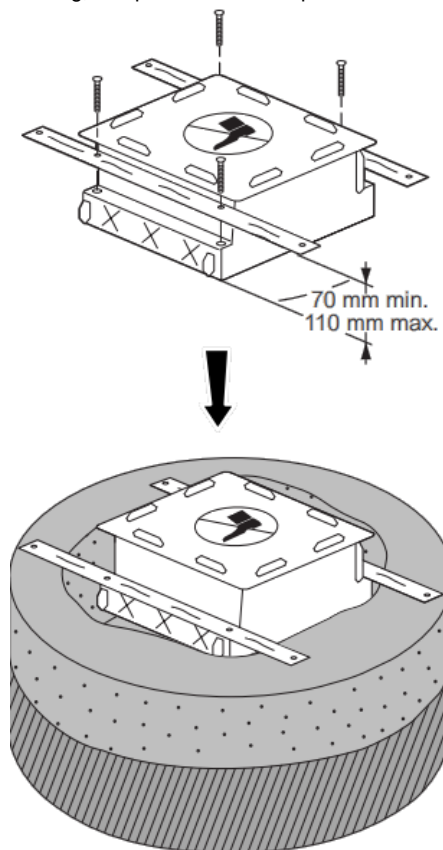
1.4.2 Back box assembling



Clips the 4 rigid plastic parts into the dedicated locations then fold and assemble the back box

1.4.3 Installation into existing screed (renovation)

In an existing screed in which one wishes to install a floor box (or to replace an old one), this mode of installation is ideal because it allows a reliable leveling, independent of the depth of the hole realized.

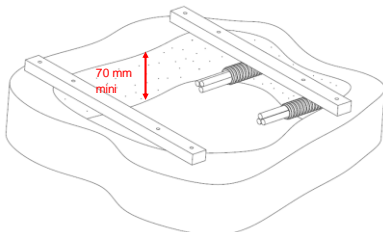


After having broken the concrete in the desired area, the back box can be installed from above (resting on the existing screed by means of 2 sleepers, not provided).

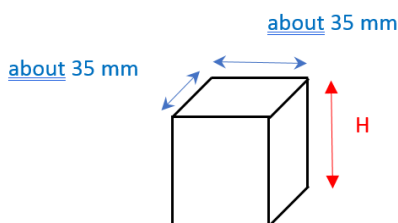
1. BACK BOXES RANGE (cont.)

Detailed description of this installation mode coming soon

- a) The hole must be of sufficient size to be able to receive the back box. Its depth must be at all points at least 70mm. Prepare 2 cleats (not supplied, preferably wood) of much greater length than the hole (these cleats will serve to suspend the back box from the above and will not have to bend during the operation).



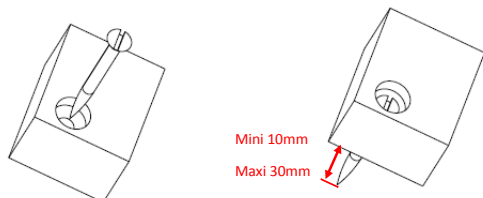
- b) Prepare 4 cubes (not provided, preferably of wood) which will be used to fix the cleats and the back box. The dimensions of these cubes are as follow:



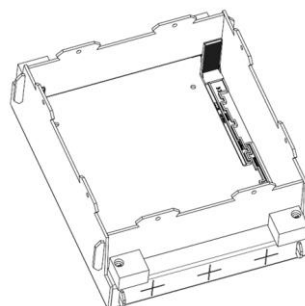
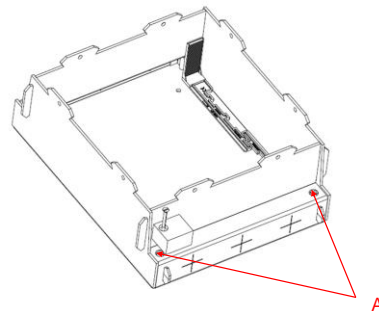
The height H of the cube depends on the depth to which the back box will be installed. Determine it according to the following table :

Depth of the hole	Height « H » of the cubes
MINI 70 mm	25 mm
80 mm	35 mm
90 mm	45 m
100 mm	55 mm
110 mm	65 mm MAXI
> 110 mm	

- c) Preparation of the cubes:
 - Drill each cube in one of its angles with a diameter of 5mm. Then, in order to pass thereafter the future fixing screws of the cubes to the back box (4 M5 screws not supplied):
 - Drill again in the same place with a larger diameter (enough to pass the head of your M5 screw) and to a sufficient depth (**be careful, not on the entire height H of the cube!**) so that the head of your screw can be in support and that its threaded shaft exceeds the cube of a minimum length of 10mm and maximum of 30mm.

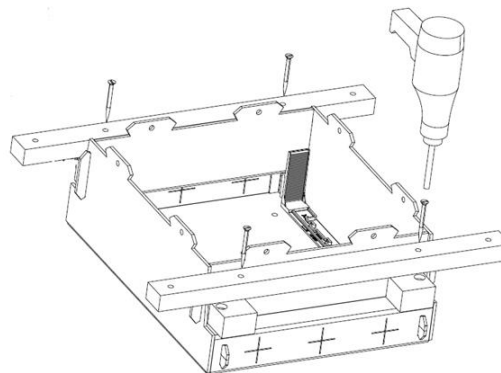


- d) Insert your 4 fixing screws into your 4 cubes
- e) Fix these 4 cubes to the 4 outside corners of the back box by screwing their M5 fixing screws into the slots (A) provided for this purpose

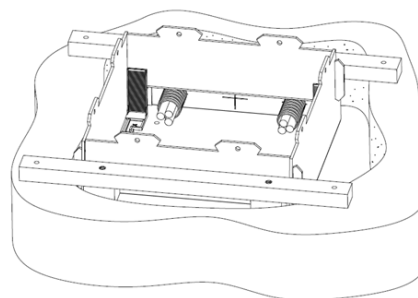


Cubes screwed to the 4 corners of the box

- f) Using 4 screws not supplied, fix the 2 cleats to the cubes so that once fixed they could correctly be placed on the existing concrete screed



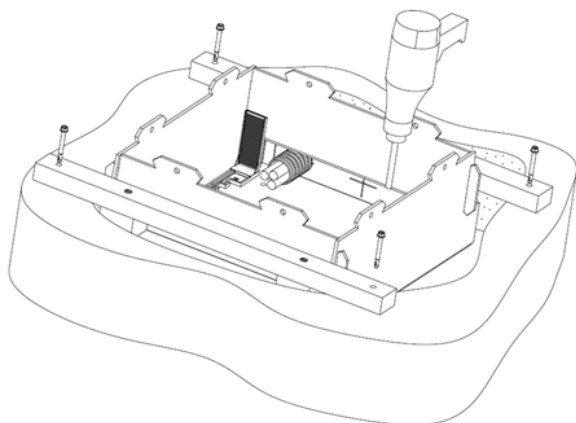
- g) Pass the ducts and cables in the entries of the back box provided for this purpose and position it in the hole in support on the cleats



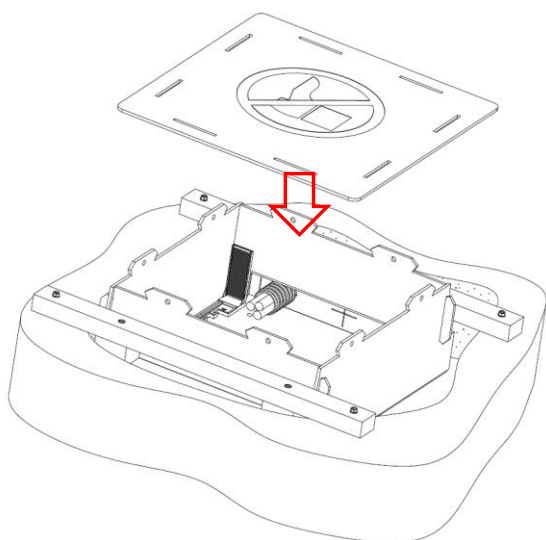
1. BACK BOXES RANGE (cont.)

Detailed description of this installation mode coming soon

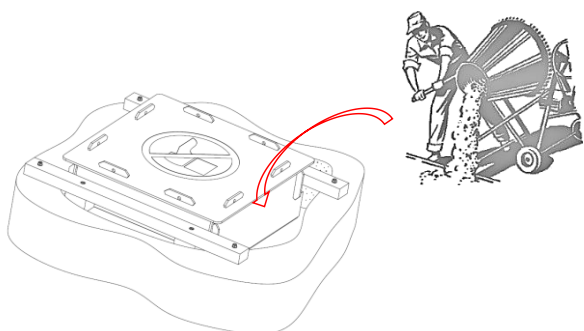
h) Using 4 concrete screws (not supplied), attach the cleats to your existing floor (so that the back box is locked in the desired location)



i) Position the cover on the back box

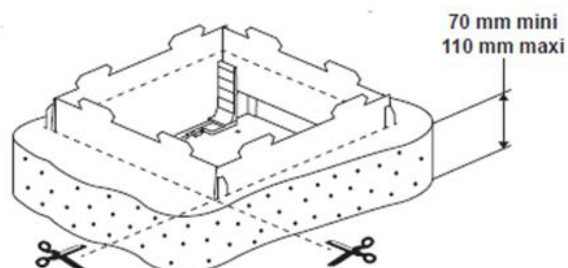


j) Pour some concrete into the hole all around the back box

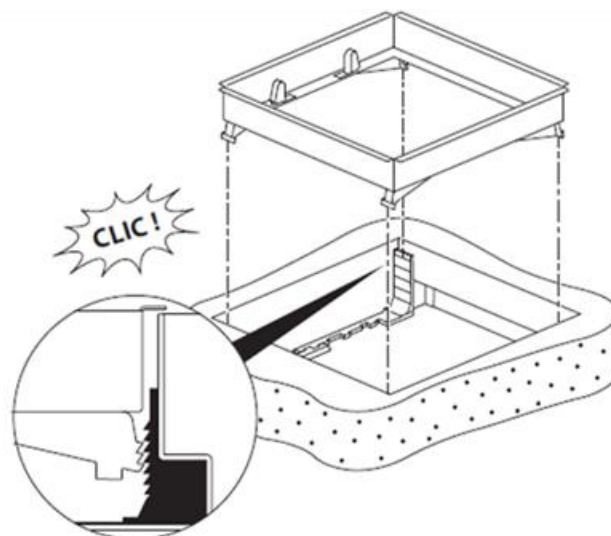


k) Once the concrete is dry, remove the cleats (but not the cubes). If necessary make a patch to fill any holes around the cubes

l) Cut off the part that exceeds once concrete is dry



m) Do not take off the 4 rigid plastic parts in the corners of the back box because they are useful to clip the Standard version floor box

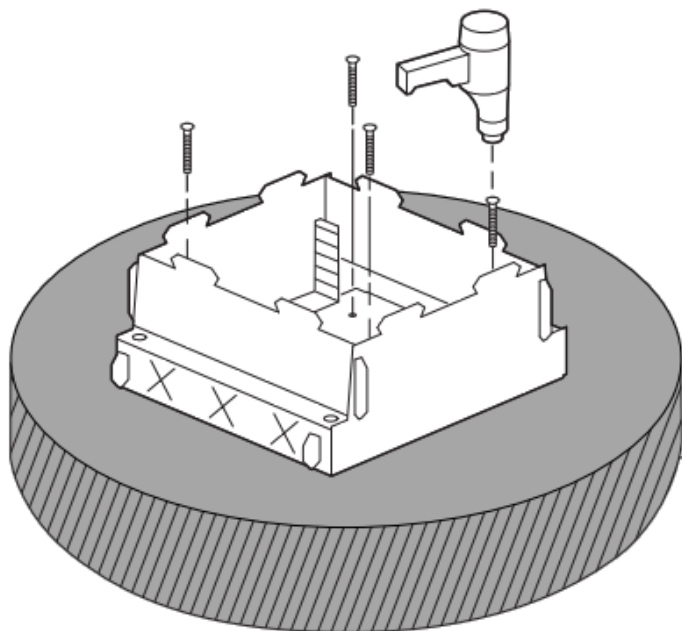


1. BACK BOXES RANGE (cont.)

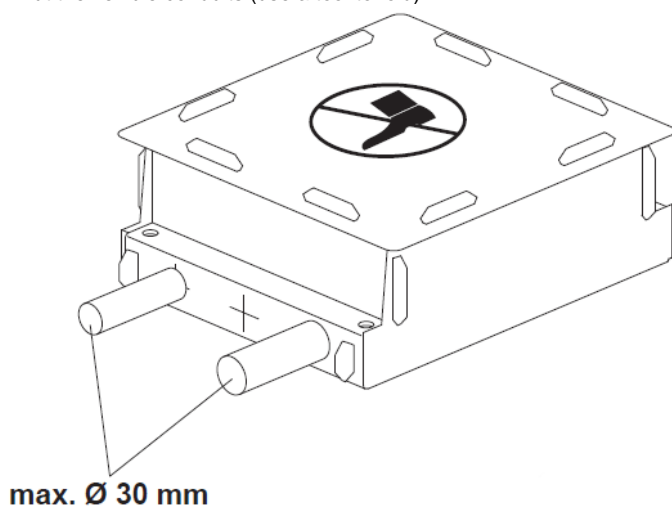
1.4.4 Installation on concrete slab (before screed pouring)

A "classic" slab installation is also possible

- Fix the back box on the slab



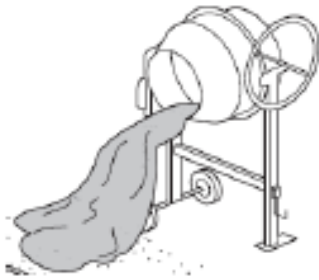
- Put the flexible conduits (use a tool to fold)



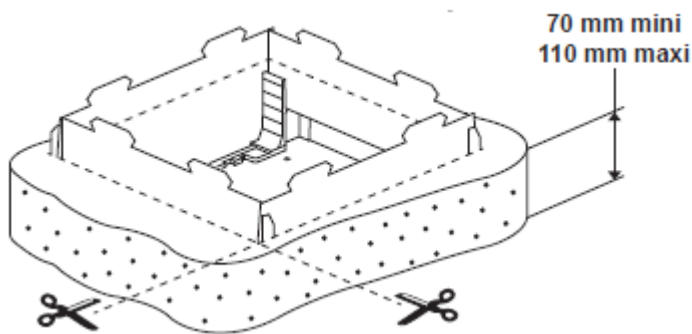
Do not cross the back box

1. BACK BOXES RANGE (cont.)

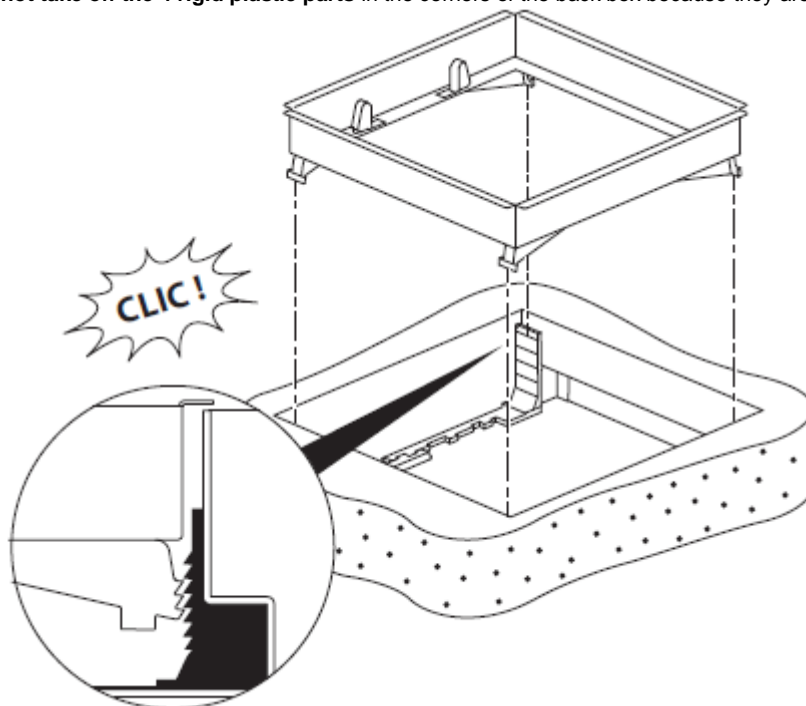
- Pour the concrete between 70 mm et 110 mm



- Cut off the part that exceeds once concrete is dry



- Do not take off the 4 rigid plastic parts in the corners of the back box because they are useful to clip the Standard version floor box



SCREED FLOOR BOXES
Standard range

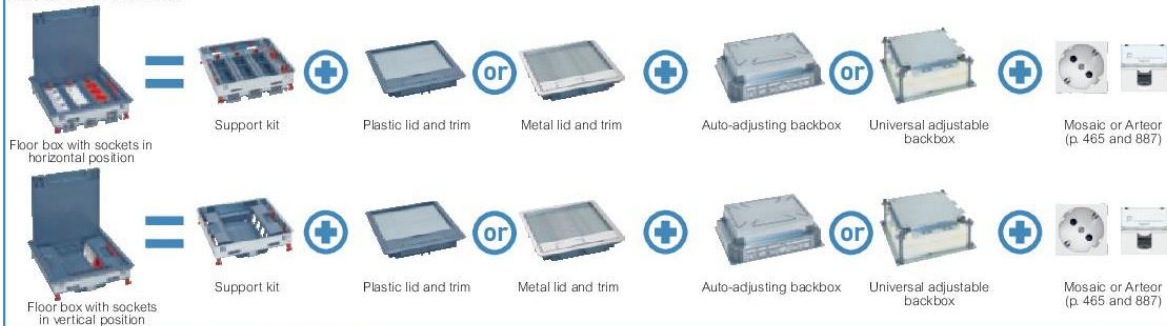


Number(s) : 0 880 00 to 08 – 0 880 15 to 17 – 0880 20 to 25 – 0 880 30 to 32 – 0 880 36 to 38 – 0 880 42 to 55 – 0 880 57 – 0 880 80 to 83– 0 880 85/86/88 – 0 880 89 to 92 – 0 880 95 – 0 880 98/99 – 0 881 03 to 08 – 0 881 20 to 27 – 0 881 44 to 50– 0 881 90 to 92

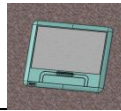
SELECTION CHART

SOCKET MOUNTING POSITION	CAPACITY	FLOOR BOX SUPPORT KITS	BACKBOXES		LIDS & TRIMS FLOORING THICKNESS ≤ 8 MM		FINISHING PLATES (OPTIONAL)	
			AUTO-ADJUSTING BACKBOX FOR SCREED HEIGHT UP TO 90 MM	UNIVERSAL ADJUSTABLE BACKBOX FOR SCREED HEIGHT UP TO 125 MM	Plastic lid and trim 0 880 02	Stainless steel lid and trim 0 880 05		0 880 47
Adjustable horizontal  H min: 80 mm	12 (3 x 4) modules	0 880 20	0 880 90 ⁽¹⁾ screed height ≥ 80 mm	0 880 80 + 0 880 81 screed height ≥ 100 mm	Plastic	0 880 00	ST steel ⁽²⁾ 0 880 15	
	18 (3 x 6) modules	0 880 21	0 880 91 ⁽¹⁾ screed height ≥ 80 mm	0 880 80 + 0 880 82 screed height ≥ 100 mm	Metal	ST steel ⁽²⁾ 0 880 03	ST steel ⁽²⁾ 0 880 45	
					Brass	0 880 06	Brass 0 880 48	
	24 (3 x 8) modules	0 880 22	0 880 92 ⁽¹⁾ screed height ≥ 80 mm	0 880 80 + 0 880 83 screed height ≥ 100 mm	Plastic	0 880 01	ST steel ⁽²⁾ 0 880 16	
					Metal	ST steel ⁽²⁾ 0 880 04	ST steel ⁽²⁾ 0 880 46	
					Brass	0 880 07	Brass 0 880 49	
Plastic					0 880 02	ST steel ⁽²⁾ 0 880 17		
				Metal	ST steel ⁽²⁾ 0 880 05	ST steel ⁽²⁾ 0 880 47		
				Brass	0 880 08	Brass 0 880 50		
Fixed horizontal  H: 96 mm	12 (3 x 4) modules	0 880 30	-	0 880 80 + 0 880 81	Plastic	0 880 00	ST steel ⁽²⁾ 0 880 15	
	18 (3 x 6) modules	0 880 31	-	0 880 80 + 0 880 82	Metal	ST steel ⁽²⁾ 0 880 03	ST steel ⁽²⁾ 0 880 45	
					Brass	0 880 06	Brass 0 880 48	
	24 (3 x 8) modules	0 880 32	-	-	0 880 80 + 0 880 83	Plastic	0 880 01	ST steel ⁽²⁾ 0 880 16
						Metal	ST steel ⁽²⁾ 0 880 04	ST steel ⁽²⁾ 0 880 46
						Brass	0 880 07	Brass 0 880 49
Plastic						0 880 02	ST steel ⁽²⁾ 0 880 17	
					Metal	ST steel ⁽²⁾ 0 880 05	ST steel ⁽²⁾ 0 880 47	
					Brass	0 880 08	Brass 0 880 50	
Vertical  H min: 68 mm	8 (2 x 4) modules	0 880 23	0 880 90	OR 0 880 80 + 0 880 81	Plastic	0 880 00	ST steel ⁽²⁾ 0 880 15	
	12 (2 x 6) modules	0 880 24	0 880 91	OR 0 880 80 + 0 880 82	Metal	ST steel ⁽²⁾ 0 880 03	ST steel ⁽²⁾ 0 880 45	
					Brass	0 880 06	Brass 0 880 48	
	16 (2 x 8) modules	0 880 25	0 880 92	OR 0 880 80 + 0 880 83	Plastic	0 880 01	ST steel ⁽²⁾ 0 880 16	
					Metal	ST steel ⁽²⁾ 0 880 04	ST steel ⁽²⁾ 0 880 46	
						Brass	0 880 07	Brass 0 880 49
Plastic						0 880 02	ST steel ⁽²⁾ 0 880 17	
					Metal	ST steel ⁽²⁾ 0 880 05	ST steel ⁽²⁾ 0 880 47	
					Brass	0 880 08	Brass 0 880 50	
Access covers  H min: 65 mm	For lid and trim with 8/12 modules	0 880 39	0 880 90	OR 0 880 80 + 0 880 81	Plastic	0 880 00	ST steel ⁽²⁾ 0 880 15	
	For lid and trim with 12/18 modules	0 880 40	0 880 91	OR 0 880 80 + 0 880 82	Metal	ST steel ⁽²⁾ 0 880 03	ST steel ⁽²⁾ 0 880 45	
					Brass	0 880 06	Brass 0 880 48	
	For lid and trim with 16/24 modules	0 880 41	0 880 92	OR 0 880 80 + 0 880 83	Plastic	0 880 01	ST steel ⁽²⁾ 0 880 16	
					Metal	ST steel ⁽²⁾ 0 880 04	ST steel ⁽²⁾ 0 880 46	
						Brass	0 880 07	Brass 0 880 49
Plastic						0 880 02	ST steel ⁽²⁾ 0 880 17	
					Metal	ST steel ⁽²⁾ 0 880 05	ST steel ⁽²⁾ 0 880 47	
					Brass	0 880 08	Brass 0 880 50	

MOUNTING PRINCIPLE



SCREED FLOOR BOXES
Standard range



Number(s) : 0 880 00 to 08 – 0 880 15 to 17 – 0880 20 to 25 – 0 880 30 to 32 – 0 880 36 to 38 – 0 880 42 to 55 – 0 880 57 – 0 880 80 to 83– 0 880 85/86/88 -0 880 89 to 92 – 0 880 95 - 0 880 98/99 – 0 881 03 to 08 – 0 881 20 to 27 – 0 881 44 to 50– 0 881 90 to 92

2. FRAMES & WIRING DEVICES RANGE

5 kinds of supports	Support drawing	Reference numbers of support to use	Nber of modules	Back boxes to use			
				Self adjustable back box		Universal back box	
				numbers	Screed thickness	numbers	Screed thickness
Adjustable Horizontal*	delivered with empty basket 	0 880 20 0 880 21 0 880 22	3x4M 3x6M 3x8M	0 880 90 0 880 91 0 880 92	≥ 80 without fast connecting system	0 880 80+0 880 81 0 880 80+0 880 82 0 880 80+0 880 83 ou 0 880 80+0 880 85	≥ 80 without fast connecting system or ≥ 102 with fast connecting system
To be equipped with*	to be equipped with baskets (look up following board*) 	0 880 36 0 880 37 0 880 38	3x4M 3x6M 3x8M	0 880 90 0 880 91 0 880 92	≥ 80 Without fast connecting system	0 880 80+0 880 81 0 880 80+0 880 82 0 880 80+0 880 83 ou 0 880 80+0 880 85	≥ 80 without fast connecting system or ≥ 102 with fast connecting system
Fixed horizontal		0 880 30 0 880 31 0 880 32	3x4M 3x6M 3x8M	X		0 880 80+0 880 81 0 880 80+0 880 82 0 880 80+0 880 83 ou 0 880 80+0 880 85	≥ 96
Fixed vertical	delivered with empty frames 	0 880 23 0 880 24 0 880 25	2x4M 2x6M 2x8M	0 880 90 0 880 91 0 880 92	≥ 68	0 880 80+0 880 81 0 880 80+0 880 82 0 880 80+0 880 83 ou 0 880 80+0 880 85	≥ 68
Access Trap		0 880 39 0 880 40 0 880 41	-	0 880 90 0 880 91 0 880 92	≥ 64	0 880 80+0 880 81 0 880 80+0 880 82 0 880 80+0 880 83 ou 0 880 80+0 880 85	≥ 64

* Kind of baskets for frames to be equipped

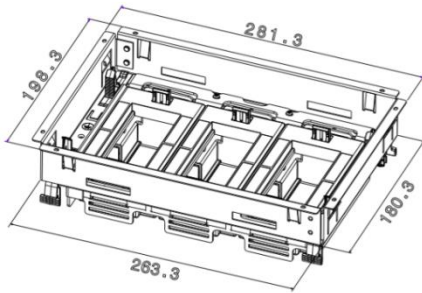
Kind of baskets	4M	6M	8M
empty	0 880 42 	0 880 43 	0 880 44
equipped with german standard 2 P+E	0 880 51 	0 880 53 	0 880 55
equipped with german standard 2 P+E tamperproof	0 880 52 	0 880 54 	0 88057



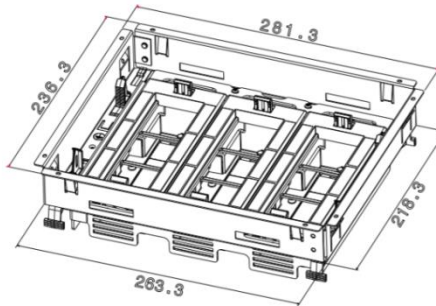
3. FRAMES & WIRING DEVICES DIMENSIONS

3.1 Adjustable horizontal frames reference numbers 0 880 20/21/22 & horizontal frames to equip reference numbers 0 800 36/37/38

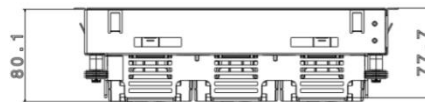
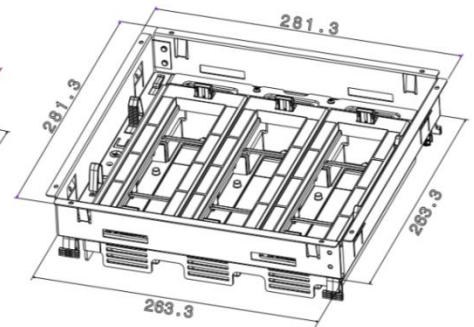
0 880 20



0 880 21



0 880 22



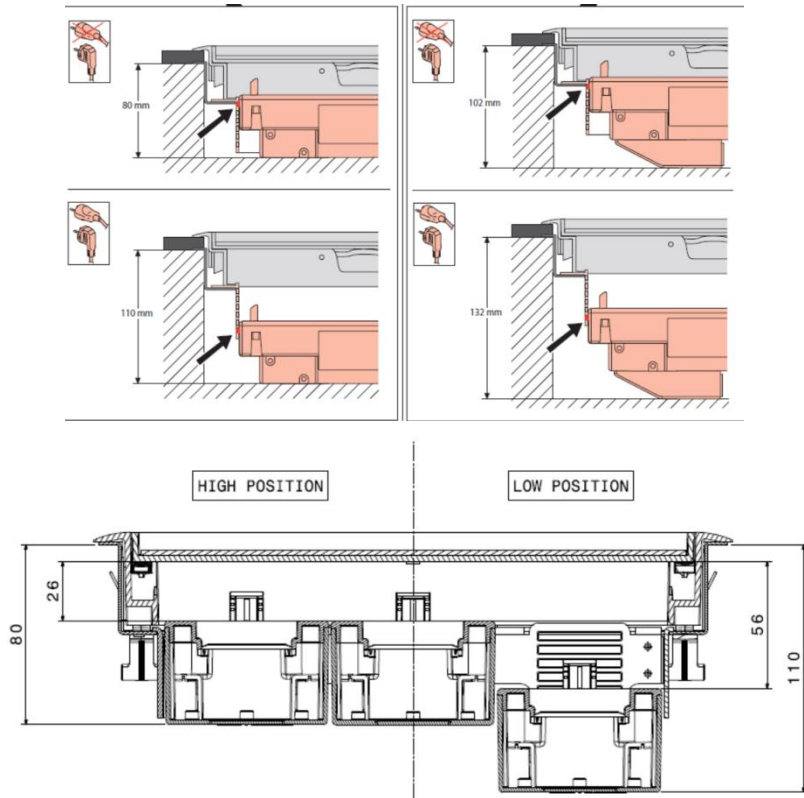


3. FRAMES & WIRING DEVICES DIMENSIONS

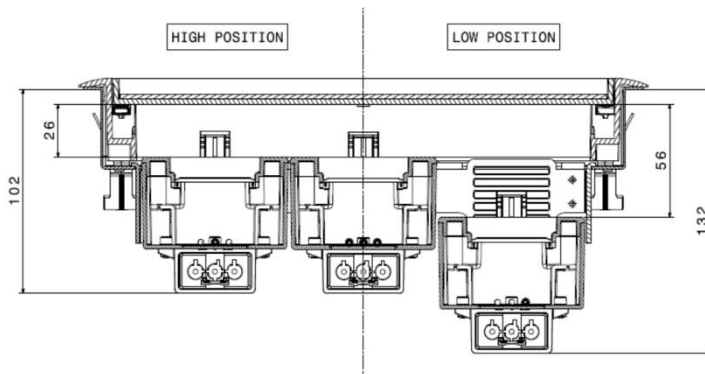
3.1 Adjustable horizontal frames reference numbers 0 880 20/21/22

Empty baskets

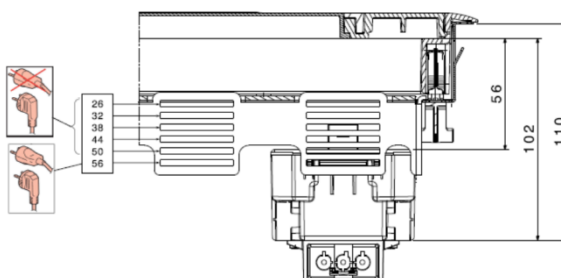
Equiped baskets and with fast connecting system
Wieland®



WIELAND® FAST CONNECTING SYSTEM



Dimensions (mm) of the different positions of the module

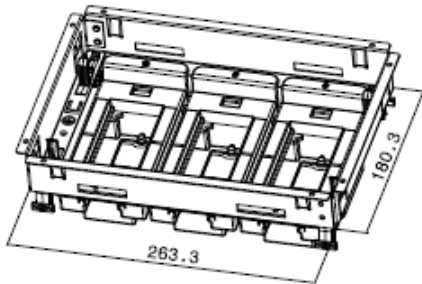




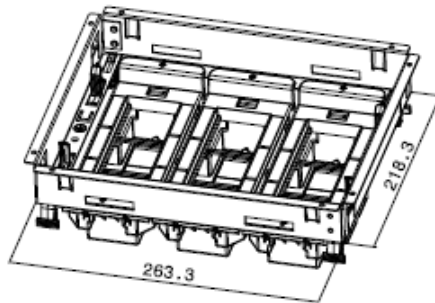
3. FRAMES & WIRING DEVICES DIMENSIONS (cont.)

3.2 Fixed horizontal frames reference numbers 0 880 30/31/32

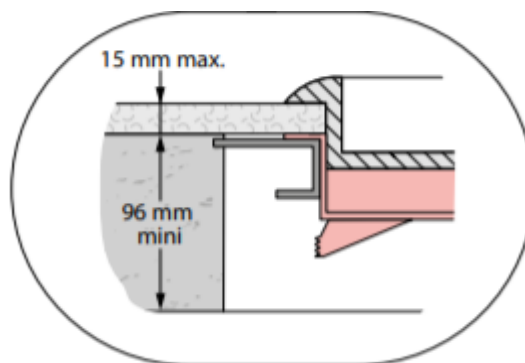
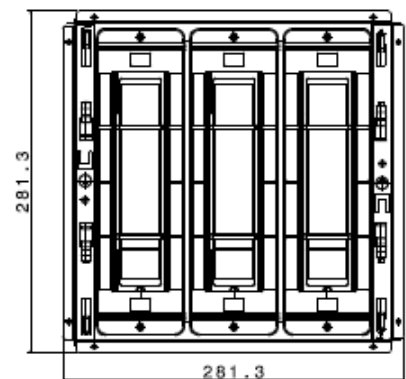
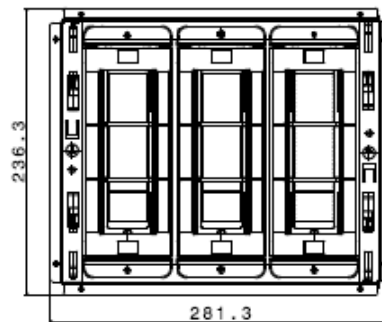
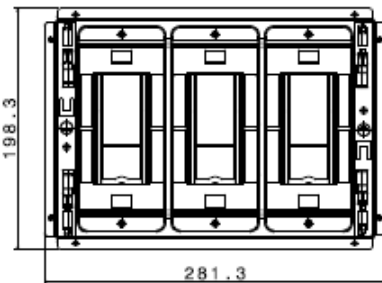
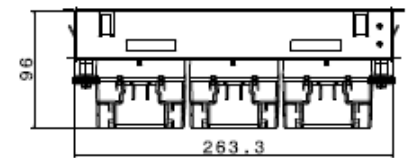
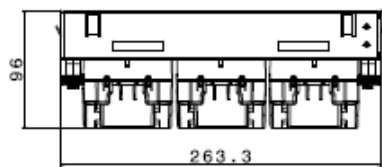
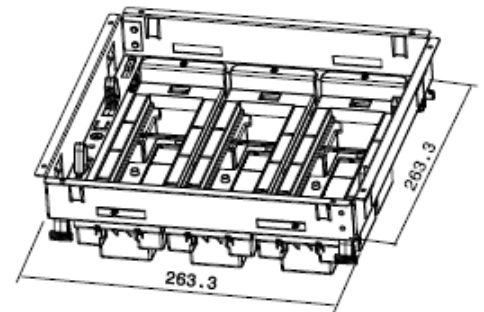
0 880 30

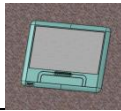


0 880 31



0 880 32





3. FRAMES & WIRING DEVICES DIMENSIONS (cont.)

3.3 Fixed vertical frames reference numbers 0 880 23/24/25

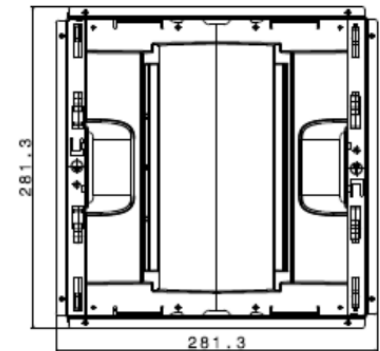
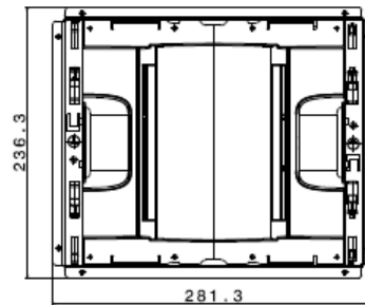
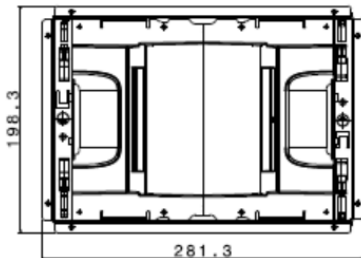
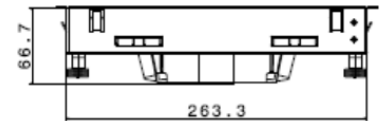
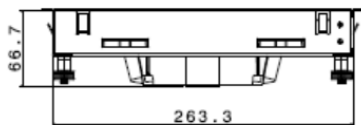
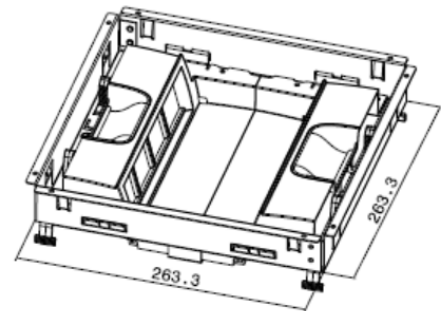
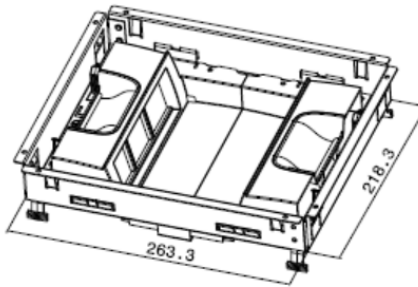
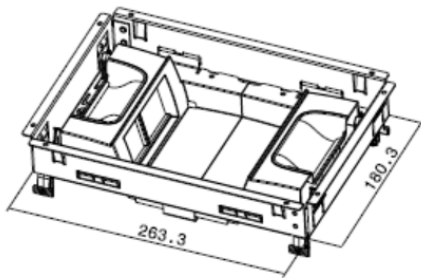
In order to connect all types of user plugs (straight and angle) and to be able to close correctly the lid, we advise to use 2 P+E sockets, 45° inclined version with upward earth pin, as below :

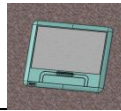


0 880 23

0 880 24

0 880 25

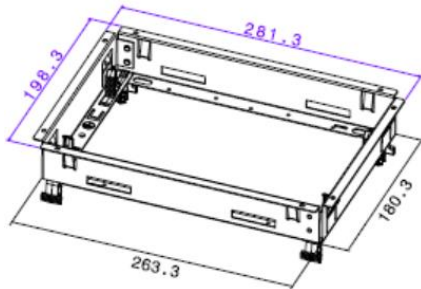




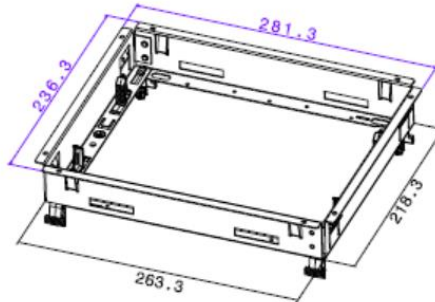
3. FRAMES & WIRING DEVICES DIMENSIONS (cont.)

3.4 Access Trap reference numbers 0 880 39/40/41

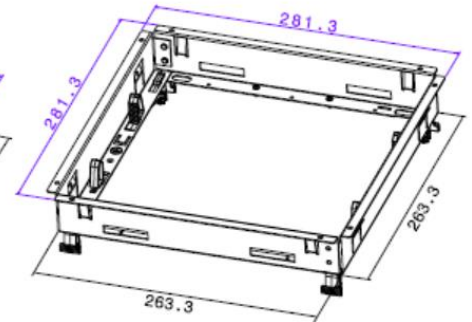
0 880 39



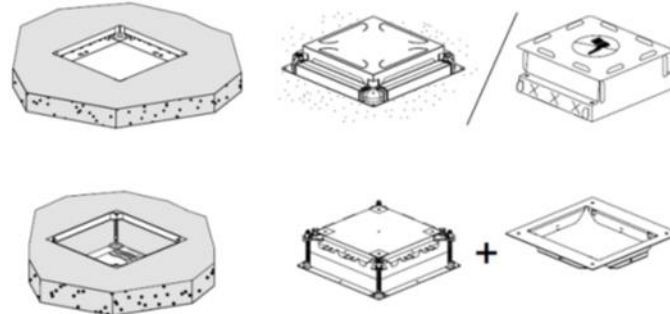
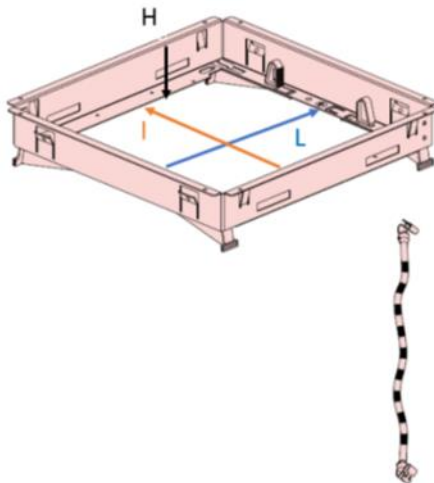
0 880 40



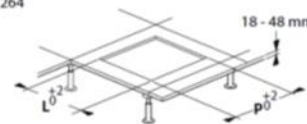
0 880 41



INTERNAL DIMENSIONS



	P (mm)	L (mm)
8/12 M	264	181
12/18 M	264	219
16/24 M	264	264



Please find dimensions of central part as well as the height in mm :

	Length (L)	Width (I)	Height (H)
0 880 39	229,6	147,9	39,7
0 880 40	229,6	185,9	39,7
0 880 41	229,6	230,9	39,7

SCREED FLOOR BOXES
Standard range



Number(s) : 0 880 00 to 08 – 0 880 15 to 17 – 0880 20 to 25 – 0 880 30 to 32 – 0 880 36 to 38 – 0 880 42 to 55 – 0 880 57 – 0 880 80 to 83– 0 880 85/86/88 – 0 880 89 to 92 – 0 880 95 - 0 880 98/99 – 0 881 03 to 08 – 0 881 20 to 27 – 0 881 44 to 50– 0 881 90 to 92

4. INSTALLATION

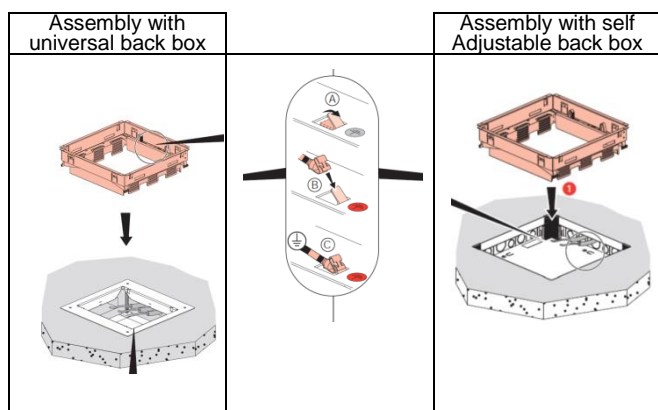
4.1 X mini floor screed depth according to the floor box frame

	X mini (mm)	8/12M	12/18M	18/24M
Adjustable Horizontal	80* or 102**	0 880 20	0 880 21	0 880 22
Fixed Horizontal	96	0 880 30	0 880 31	0 880 32
Fixed Vertical	68	0 880 23	0 880 24	0 880 25
Access Trap	64	0 880 39	0 880 40	0 880 41

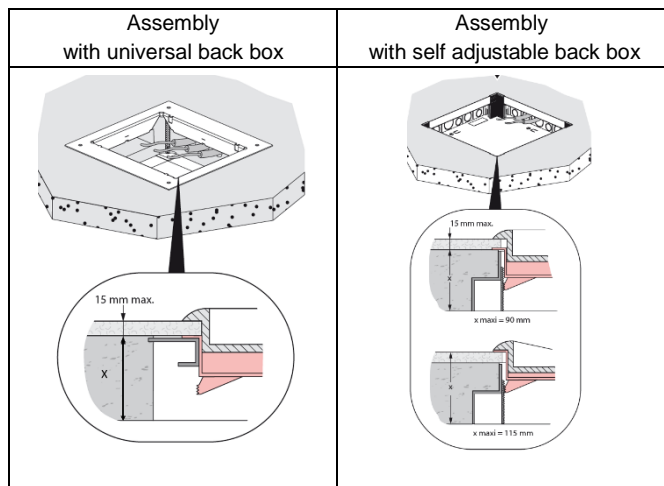
* with basket without wieland® connector
** with basket with wieland® connector

4.2 Fitting of adjustable horizontal frame and wiring devices

Clip the frame and connect the earth (A-B-C)



Place the frame before the final coating



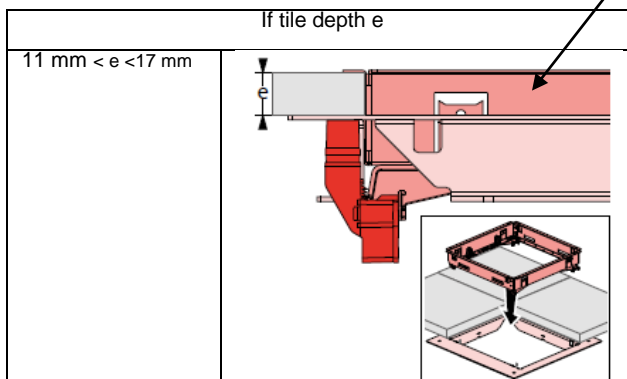
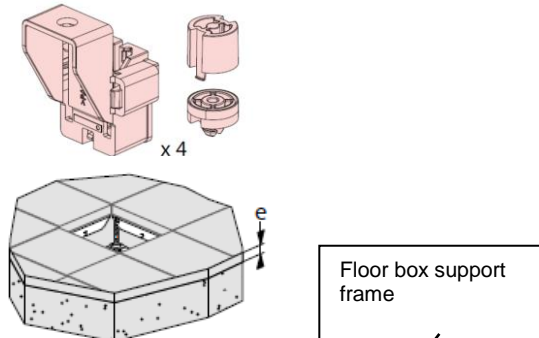
Particular case : Floor box installed after tile laying
In that case, the additional fixation kit reference number 0 880 95 is essential in order that the floor box frame support is locked in the floor (cf 4.3)

4. INSTALLATION (cont.)

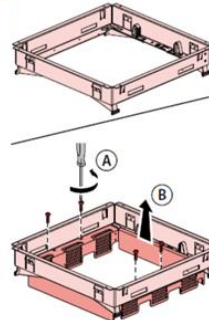
4.3 Option : additional fixation kit ref. number 0 880 95

Allow floor clamping when it is necessary for example, for one floor box installed after tile laying on the adaptation plate of the universal back box. In that case, the frame support cannot be clipped.

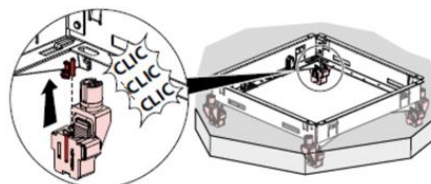
4.3.1 Preparation of the 4 fixations



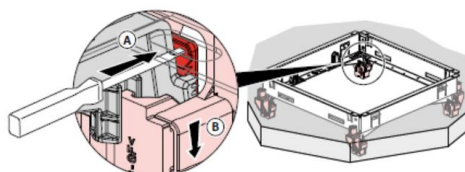
4.3.2 Preparation of support frame



4.3.3 Fixations installation
After the assembly of the frame in the floor (cf. 3.2), clip the fixations of the 4 red angle brackets of the floor box frame



Remove if necessary





4. INSTALLATION (cont.)

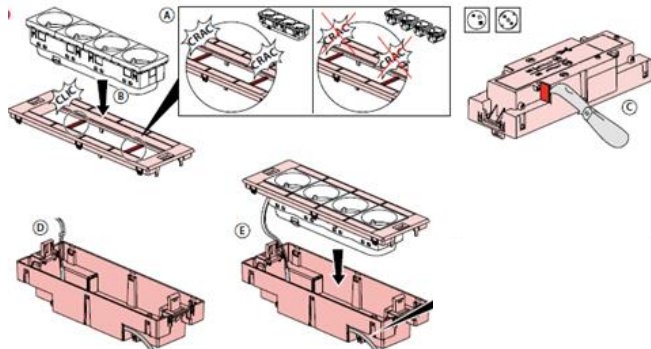
4.4 Wiring devices fitting in the different kind of frame

4.4.1 Adjustable horizontal frame

a) connection of baskets

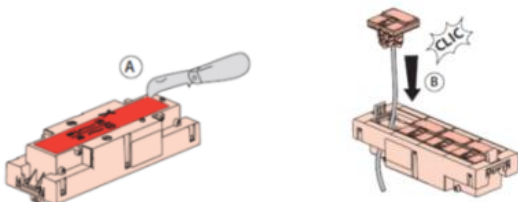
▪ 2P+E sockets only :

- Clip the sockets in the support (figure B) (in case of unitary sockets DO NOT BREAK the trigger guards (figure A))
- remove side cap (figure C)
- pass the cable through the entry (figure D)
- cable the sockets and clip the whole into the basket (figure E)

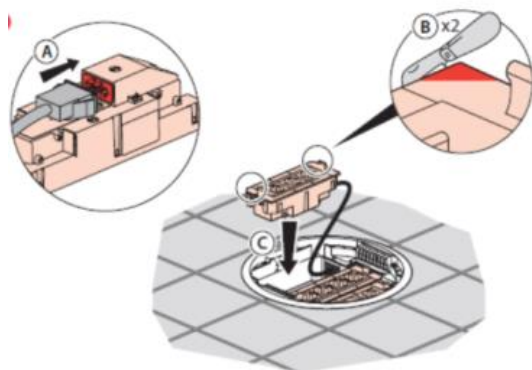


▪ For DATA sockets only :

- the lateral cable entries can be used OR an arrival of cables from the bottom is possible :
- remove the inferior part (figure A)
- connect the mechanisms (figure B)



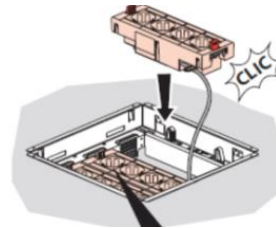
▪ For equipped and pre-wired sockets with fast connecting system



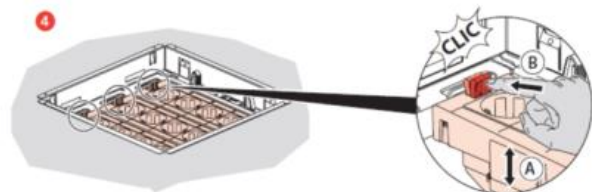
4. INSTALLATION (cont.)

b) fitting in the frame

- insert basket in the frame

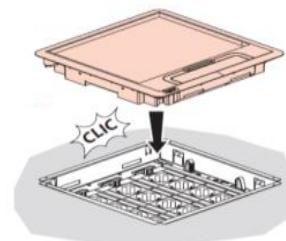


- adjust the height and push to fix



c) assembly of the lid and trim

- clip the lid and trim on frame

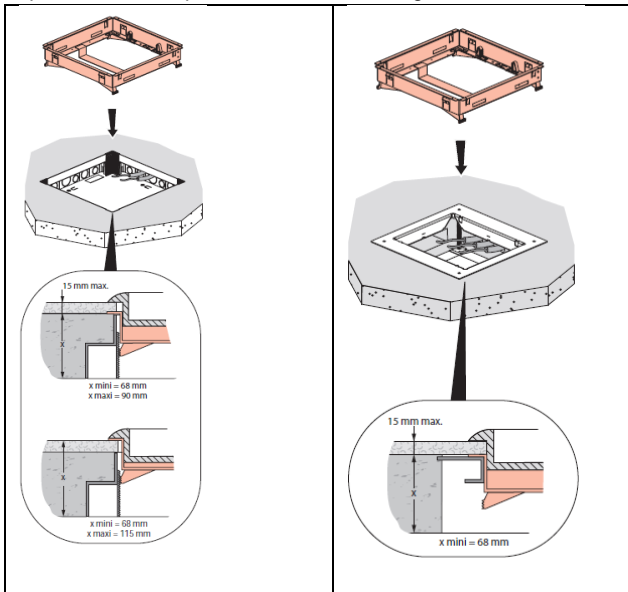




4. INSTALLATION (cont.)

4.4.2 Fixed vertical frame

Clip the frame and place it under the coating

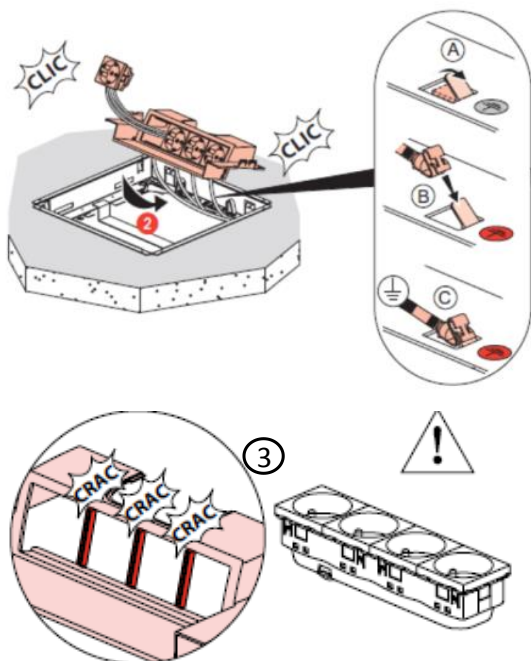


a) connection

- insert and connect the mechanisms (figure 2)
- DO NOT BREAK the trigger guards in case of unitary sockets use (figure 3)
- In order to connect all types of user plugs (straight and angle) and to be able to close correctly the lid, we advise to use 2 P+E sockets, 45° inclined version with upward earth pin, as below :

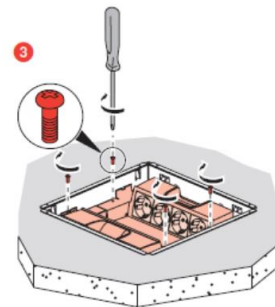


- clip all in the frame (figure 2)
- connect the earth (A-B-C)

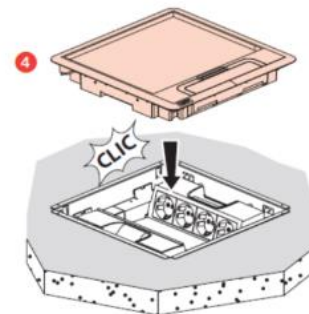


4. INSTALLATION (cont.)

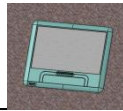
b) fix the support with the screws (figure 3)



c) assembly of the lid and trim
- clip the lid and trim on frame (figure 4)



SCREED FLOOR BOXES
Standard range



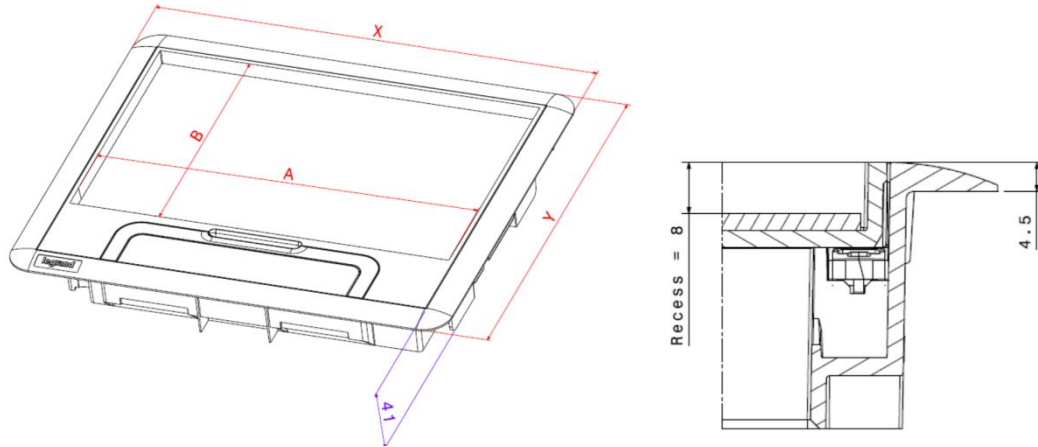
Number(s) : 0 880 00 to 08 – 0 880 15 to 17 – 0880 20 to 25 – 0 880 30 to 32 – 0 880 36 to 38 – 0 880 42 to 55 – 0 880 57 – 0 880 80 to 83– 0 880 85/86/88 – 0 880 89 to 92 – 0 880 95 – 0 880 98/99 – 0 881 03 to 08 – 0 881 20 to 27 – 0 881 44 to 50– 0 881 90 to 92

5. FLOOR BOXES STANDARD RANGE (cont.)

5.1 Lid and trim

5.1.1 Plastic lid and trim

1 version	8/12M	12/18M	16/24M
Plastic Standard	0 880 00	0 880 01	0 880 02



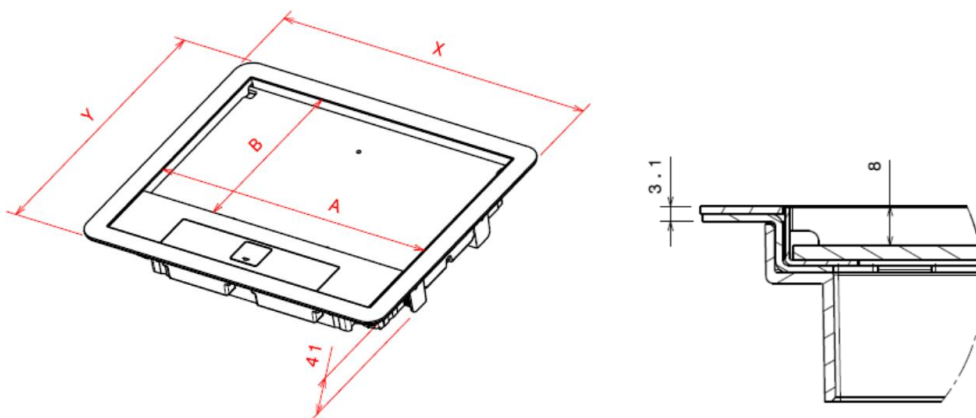
Dimensions

References	X	Y	A	B
0 880 00	286	203	244.5	116.5
0 880 01	286	241	244.5	154.8
0 880 02	286	286	244.5	199.8

5.1.2 Metal lid and trim

2 versions	8/12M	12/18M	16/24M
Metal stainless	0 880 03	0 880 04	0 880 05
Metal brass*	0 880 06	0 880 07	0 880 08

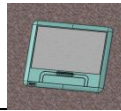
* Brass Raw Brushed : material which evolves with time : it gets veiled and takes a patina. However a regular cleaning can restore its initial appearance (cf page 69 "Cleaning")



Dimensions

References	X	Y	A	B
0 880 03 / 06	286	203	249.2	117.2
0 880 04 / 07	286	241	249.2	155.2
0 880 05 / 08	286	286	249.2	199.9

SCREED FLOOR BOXES
Standard range



Number(s) : 0 880 00 to 08 – 0 880 15 to 17 – 0880 20 to 25 – 0 880 30 to 32 – 0 880 36 to 38 – 0 880 42 to 55 – 0 880 57 – 0 880 80 to 83– 0 880 85/86/88 -0 880 89 to 92 – 0 880 95 - 0 880 98/99 – 0 881 03 to 08 – 0 881 20 to 27 – 0 881 44 to 50– 0 881 90 to 92

5. FLOOR BOXES STANDARD RANGE (cont.)

5.2 Locking system

	with key	without key
For plastic boxes	0 880 98	0 880 99
For metal boxes	on demand	

Installation of locking system

	0 880 98		0 880 99
Remove the lid		Remove the lid	
Make a hole with a diameter of 20 mm with a step drill at the lock place inside the lid		Make a hole with a diameter of 20 mm with a step drill at the lock place inside the lid	
Insert in the keyhole the adaptation ring delivered with the lock		Insert in the keyhole the adaptation ring delivered with the lock	
Unscrew the locker nut Insert the locker in the adaptation ring (A) Screw the nut on the locker (B) Add the ring (C)		Insert the bolt in the adaptation ring (A) Using a circlip pliers to install the circlips (B) Add the ring (C)	
Assemble the lid and trim		Assemble the lid and trim	
Opened position : if cable are connected, lid and trim shouldn't be locked		Opened position : if cable connected, lid and trim should not be locked	
Closed position : cable shouldn't be connected		Closed position : cable should not be connected	

SCREED FLOOR BOXES
Standard range



Number(s) : 0 880 00 to 08 – 0 880 15 to 17 – 0880 20 to 25 – 0 880 30 to 32 – 0 880 36 to 38 – 0 880 42 to 55 – 0 880 57 – 0 880 80 to 83– 0 880 85/86/88 –0 880 89 to 92 – 0 880 95 - 0 880 98/99 – 0 881 03 to 08 – 0 881 20 to 27 – 0 881 44 to 50– 0 881 90 to 92

5. FLOOR BOXES STANDARD RANGE (cont.)

5.3 Finishing plates

Use our finishing plates or another coating : depth will not exceed 8 mm

Remove the double sided adhesive tape (A)

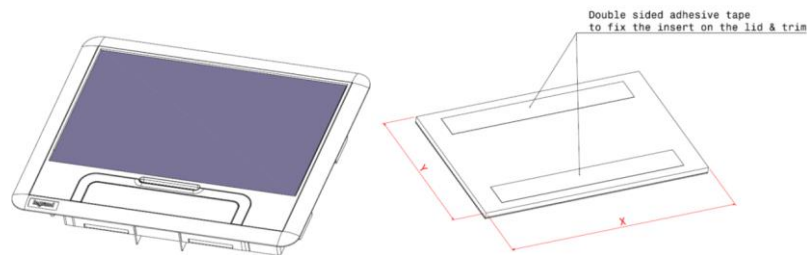
Turn over the plate at 180 ° (B)

Press the finishing plate on the top part of the lid and trim

⚠ Remove protection adhesive tape from finishing lids and plates **ONLY WHEN THE BUILDING IS READY TO RECEIVE ITS OCCUPANTS** (= heated and normal hygrometry rate 45-65 %)

5.3.1 For plastic lid and trim

1 version	8/12M	12/18M	16/24M
stainless steel finishing plate	0 880 15	0 880 16	0 880 17



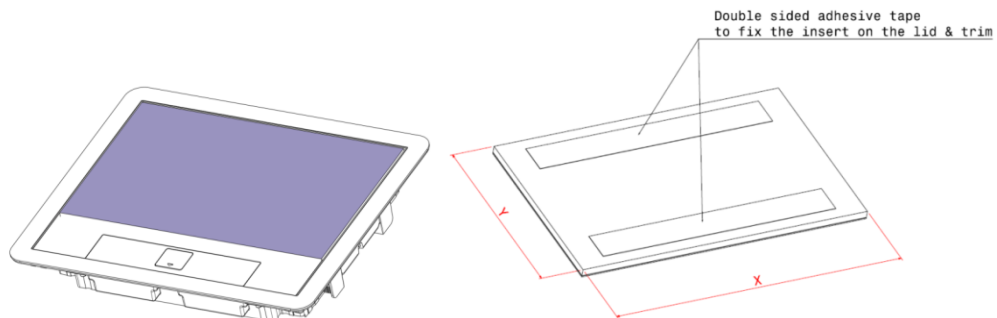
Dimensions

Références	X	Y
0 880 15	244	116
0 880 16	244	154
0 880 17	244	199

5.3.2 For metal lid and trim

2 versions	8/12M	12/18M	16/24M
stainless steel finishing plate	0 880 45	0 880 46	0 880 47
brass finishing plate*	0 880 48	0 880 49	0 880 50

* Brass Raw Brushed : material which evolves with time : it gets veiled and takes a patina. However a regular cleaning can restore its initial appearance (cf page 69 "Cleaning")



Dimensions

References	X	Y
0 880 45 / 48	248	116
0 880 46 / 49	248	154
0 880 47 / 50	248	199

SCREED FLOOR BOXES
Flush range



Number(s) : 0 880 00 to 08 – 0 880 15 to 17 – 0880 20 to 25 – 0 880 30 to 32 – 0 880 36 to 38 – 0 880 42 to 55 – 0 880 57 – 0 880 80 to 83– 0 880 85/86/88 –0 880 89 to 92 – 0 880 95 - 0 880 98/99 – 0 881 03 to 08 – 0 881 20 to 27 – 0 881 44 to 50– 0 881 90 to 92

1. BACK BOXES RANGE

1.1 Auto adjustable back box reference numbers 0 880 90/91/92

1.1.1 Range & Dimensions (see page 28)

1.1.2 Pouring concrete(see page 29)


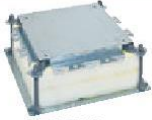







1.2 Universal back box reference number 0 880 80

1.2.1 Range & Dimensions (see page 30)

1.2.2 Pouring concrete(see pages 30 to 32)

1.3. Adaptation plate numbers 0 880 81/82/83 (see page 33)

SELECTION CHART

SOCKET MOUNTING POSITION	CAPACITY	FLOOR BOX SUPPORT KIT	BACKBOXES		LID FLOORING THICKNESS ≤ 15 MM	FINISHING PLATE (OPTIONAL)		
			AUTO-ADJUSTING BACKBOX FOR SCREED HEIGHT UP TO 90 MM	UNIVERSAL ADJUSTABLE BACKBOX FOR SCREED HEIGHT UP TO 125 MM				
			 0 880 91	 0 880 80	 Metal lid Cat.No 0 881 05 + kit Cat.No 0 881 41	 0 880 47		
 Hmin: 92 mm (final coating included)	12 (3 x 4) modules	0 881 20	0 880 90 ¹⁾ height (screed + coating) ≥ 92 mm	0 880 80 + 0 880 81 height (screed + coating) ≥ 100 mm	Stainless steel	0 881 03	Stainless steel	0 881 45
					Brass	0 881 06	Brass	0 881 48
	18 (3 x 6) modules	0 881 21	0 880 90 ¹⁾ height (screed + coating) ≥ 92 mm	0 880 80 + 0 880 82 height (screed + coating) ≥ 100 mm	Stainless steel	0 881 04	Stainless steel	0 881 46
					Brass	0 881 07	Brass	0 881 49
	24 (3 x 8) modules	0 881 22	0 880 90 ¹⁾ height (screed + coating) ≥ 92 mm	0 880 80 + 0 880 83 height (screed + coating) ≥ 100 mm	Stainless steel	0 881 05	Stainless steel	0 881 47
					Brass	0 881 08	Brass	0 881 50
 Hmin: 80 mm (final coating included)	8 (2 x 4) modules	0 881 23	0 880 90	OR 0 880 80 + 0 880 81	Stainless steel	0 881 03	Stainless steel	0 881 45
					Brass	0 881 06	Brass	0 881 48
	12 (2 x 6) modules	0 881 24	0 880 91	OR 0 880 80 + 0 880 82	Stainless steel	0 881 04	Stainless steel	0 881 46
					Brass	0 881 07	Brass	0 881 49
	16 (2 x 8) modules	0 881 25	0 880 92	OR 0 880 80 + 0 880 83	Stainless steel	0 881 05	Stainless steel	0 881 47
					Brass	0 881 08	Brass	0 881 50
 Hmin: 80 mm (final coating included)	For lid 8/12 modules	0 881 39	0 880 90	OR 0 880 80 + 0 880 81	Stainless steel	0 881 03	Stainless steel	0 881 45
					Brass	0 881 06	Brass	0 881 48
	For lid 12/18 modules	0 881 40	0 880 91	OR 0 880 80 + 0 880 82	Stainless steel	0 881 04	Stainless steel	0 881 46
					Brass	0 881 07	Brass	0 881 49
	For lid 16/24 modules	0 881 41	0 880 92	OR 0 880 80 + 0 880 83	Stainless steel	0 881 05	Stainless steel	0 881 47
					Brass	0 881 08	Brass	0 881 50
MOUNTING PRINCIPLE								
								
								

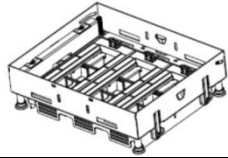
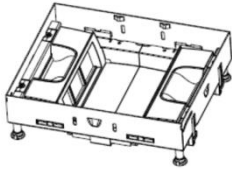
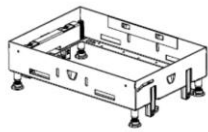
1: Not possible to use straight plugs

SCREED FLOOR BOXES
Flush range



Number(s) : 0 880 00 to 08 – 0 880 15 to 17 – 0880 20 to 25 – 0 880 30 to 32 – 0 880 36 to 38 – 0 880 42 to 55 – 0 880 57 – 0 880 80 to 83– 0 880 85/86/88 -0 880 89 to 92 – 0 880 95 - 0 880 98/99 – 0 881 03 to 08 – 0 881 20 to 27 – 0 881 44 to 50– 0 881 90 to 92

2. FRAMES & WIRING DEVICES RANGE

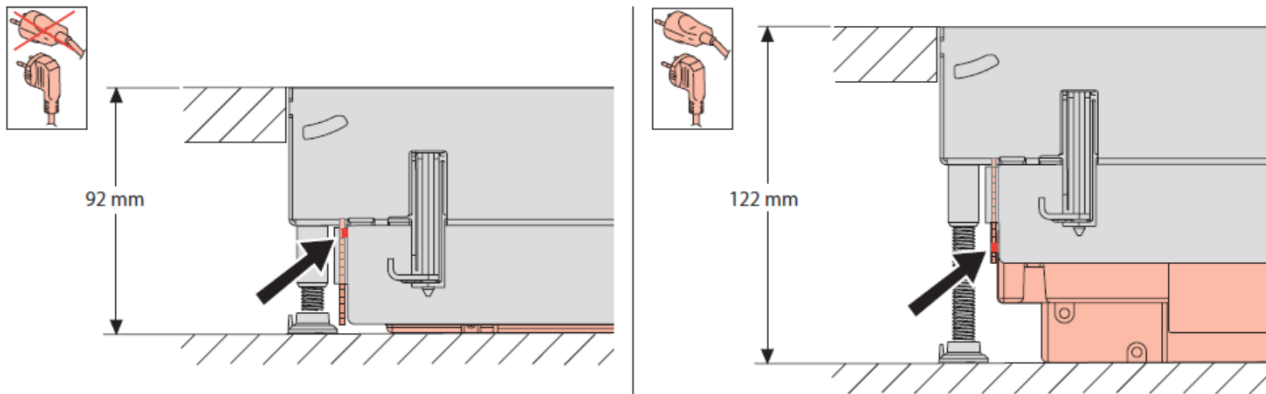
3 kinds of supports	Support drawing	References numbers of support to use	Number of modules	Reference number of back boxes to use			
				Auto adjustable back box		Universal back box	
				References	Screed + carpet Thickness	References	Screed + carpet Thickness
Adjustable Horizontal	delivered with empty basket 	0 881 20 0 881 21 0 881 22	3x4M 3x6M 3x8M	0 880 90 0 880 91 0 880 92	≥ 92*	0 880 80 + 0 880 81 0 880 80 + 0 880 82 0 880 80 + 0 880 83	≥ 100
Fixed Vertical	delivered with empty basket 	0 881 23 0 881 24 0 881 25	2x4M 2x6M 2x8M	0 880 90 0 880 91 0 880 92	≥ 80	0 880 80 + 0 880 81 0 880 80 + 0 880 82 0 880 80 + 0 880 83	≥ 80
Access Trap		0 881 39 0 881 40 0 881 41	-	0 880 90 0 880 91 0 880 92	≥ 80	0 880 80+0 880 81 0 880 80+0 880 82 0 880 80+0 880 83 ou 0 880 80+0 880 85	≥ 80

* don't allow the use of straight plugs



3. FRAMES & WIRING DEVICES DIMENSIONS

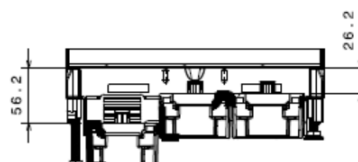
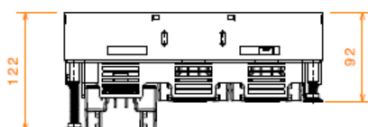
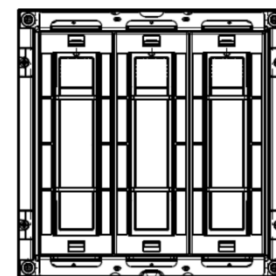
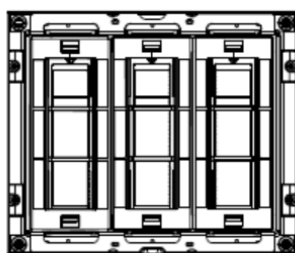
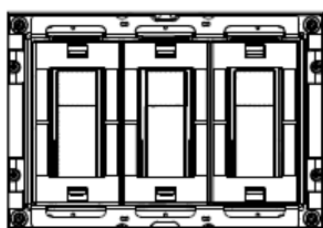
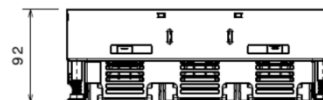
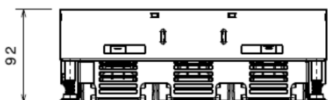
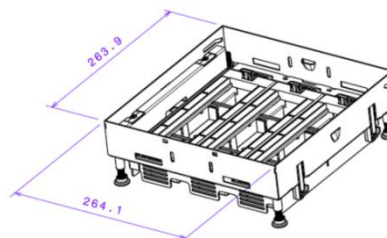
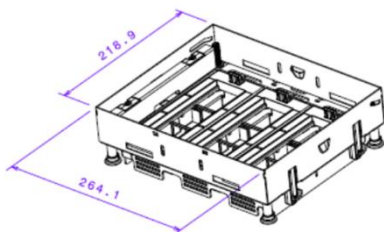
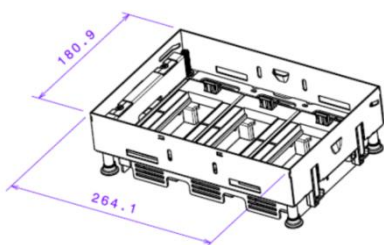
3.1 Adjustable horizontal frames reference numbers 0 881 20/21/22



0 881 20

0 881 21

0 881 22





3. FRAMES & WIRING DEVICES DIMENSIONS (cont.)

3.2 Fixed Vertical frames reference numbers 0 881 23/24/25

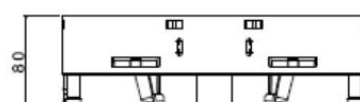
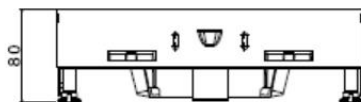
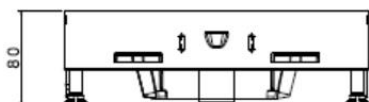
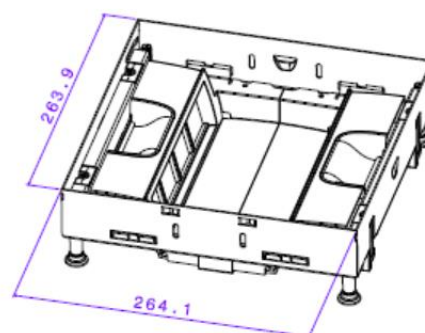
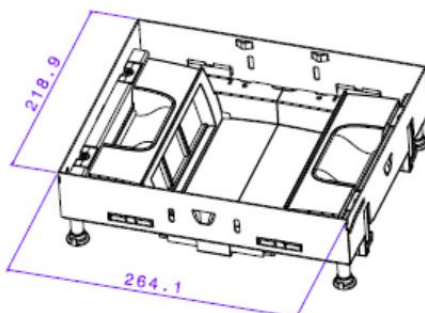
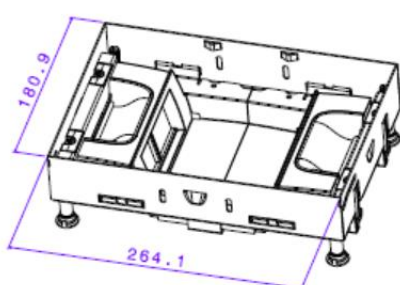
In order to connect all types of user plugs (straight and angle) and to be able to close correctly the lid, we advise to use 2 P+E sockets, 45° inclined version with upward earth pin, as below :



0 881 23

0 881 24

0 881 25



SCREED FLOOR BOXES
Flush range

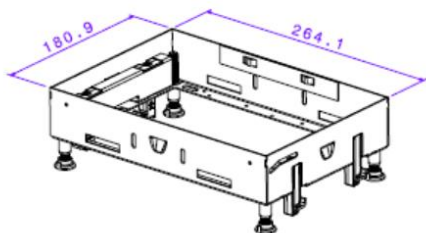


Number(s) : 0 880 00 to 08 – 0 880 15 to 17 – 0880 20 to 25 – 0 880 30 to 32 – 0 880 36 to 38 – 0 880 42 to 55 – 0 880 57 – 0 880 80 to 83– 0 880 85/86/88 –0 880 89 to 92 – 0 880 95 - 0 880 98/99 – 0 881 03 to 08 – 0 881 20 to 27 – 0 881 44 to 50– 0 881 90 to 92

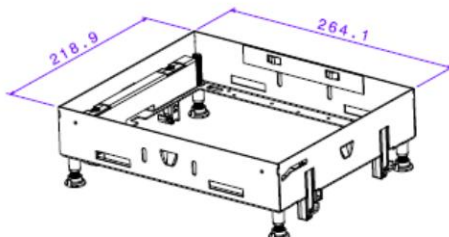
3. FRAMES & WIRING DEVICES DIMENSIONS (cont.)

3.3 Access trap reference numbers 0 881 39/40/41

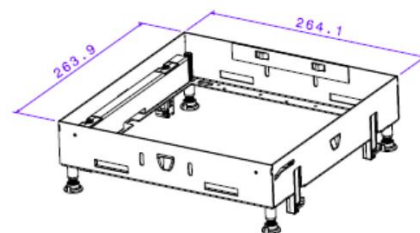
0 881 39



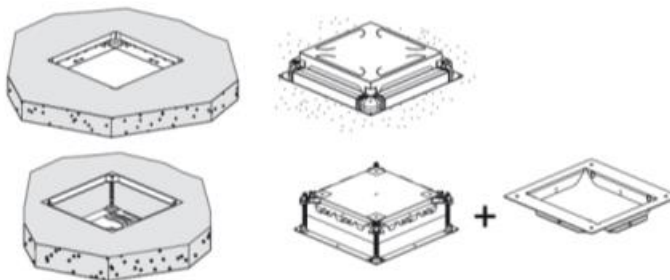
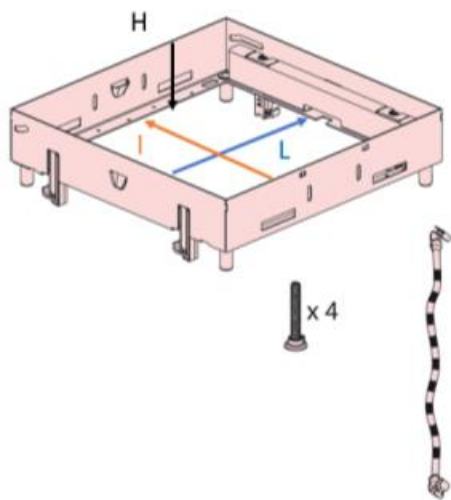
0 881 40



0 881 41



INTERNAL DIMENSIONS



	P (mm)	L (mm)
8/12 M	265	182
12/18 M	265	220
16/24 M	265	265



Please find dimensions of central part as well as the height in mm :

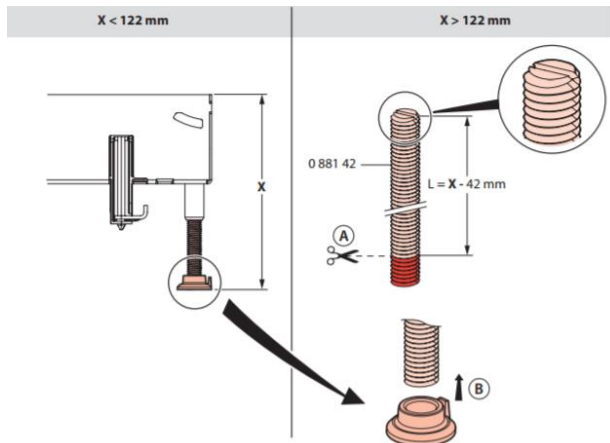
	Length (L)	Width (I)	Height (H)
0 881 39	231,3	147,9	51
0 881 40	231,3	185,9	51
0 881 41	231,3	230,9	51



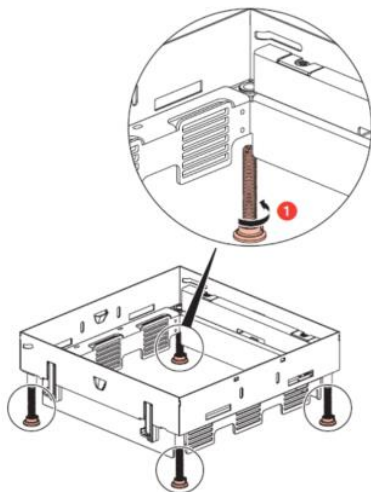
4. INSTALLATION

4.1 Assembly of the frame

- If sub floor height is over 122 mm and up to 300 mm maxi, use the accessory ref. number 0 881 42 and cut the screw according to the sub floor height and fix the feet

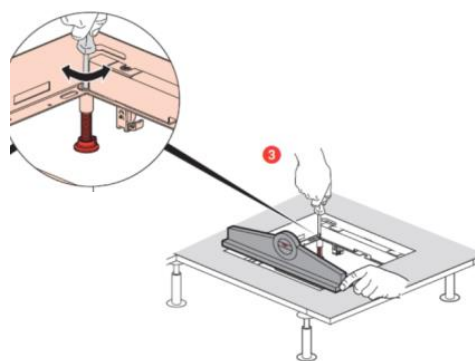
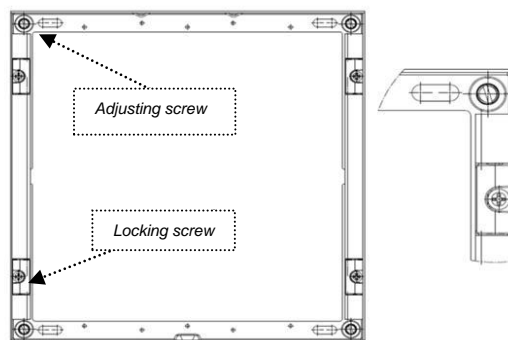


- Insert the adjusting screw

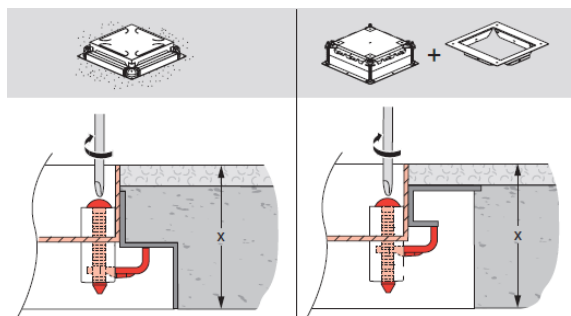
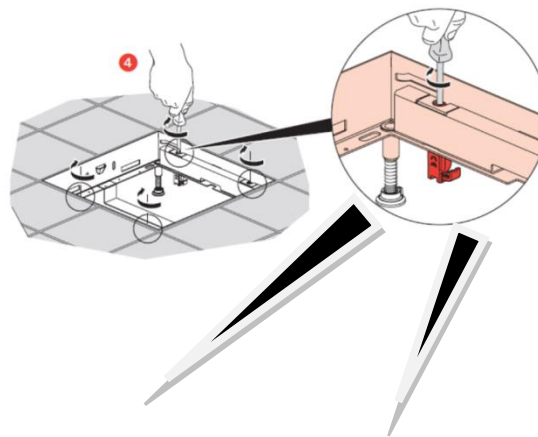


4. INSTALLATION (cont.)

- Adjust the frame to the finishing floor with the 4 adjusting screws



- Lock the frame with the 4 claws





4. INSTALLATION

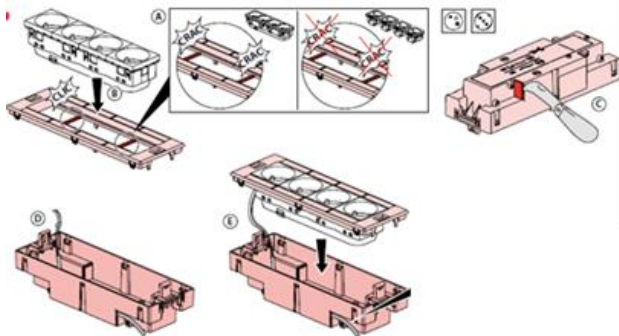
4.2 Wiring devices fitting in the different kind of frame

4.2.1 Adjustable horizontal frame

a) connection of baskets

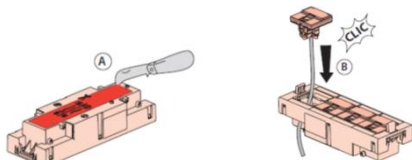
▪ 2P+E sockets only :

- Clip the sockets in the support (figure B) (in case of unitary sockets DO NOT BREAK the trigger guards (figure A))
- remove side cap (figure C)
- pass the cable through the entry (figure D)
- cable the sockets and clip the whole into the basket (figure E)



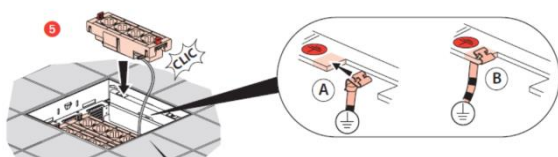
▪ For DATA sockets only :

- the lateral cable entries can be used OR an arrival of cables from the bottom is possible :
- remove the inferior part (figure A)
- connect the mechanisms (figure B)

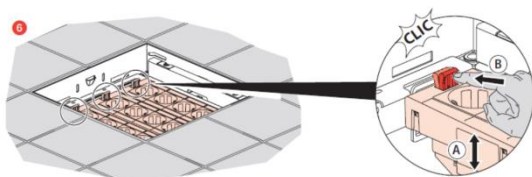


b) fitting in the frame

- insert basket in the frame (figure 5)
- connect the earth (figure A & B)



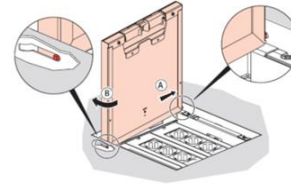
Adjust the height and push to fix



4. INSTALLATION (cont.)

c) assembly of the lid and trim

- clip the lid and trim on frame



4.2.2 fixed vertical frames

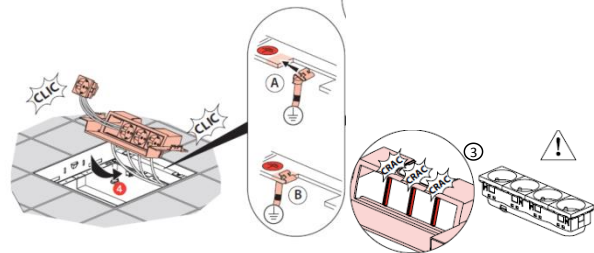
a) connection

- insert and connect the mechanisms (figure 4)
- DO NOT BREAK the trigger guards in case of unitary sockets use (figure 3)

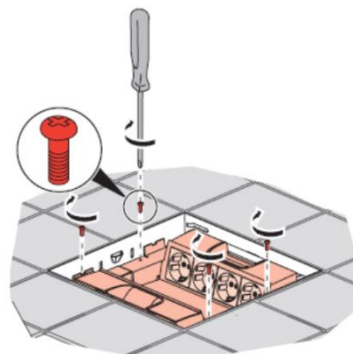
- In order to connect all types of user plugs (straight and angle) and to be able to close correctly the lid, we advise to use 2 P+E sockets, 45° inclined version with upward earth pin, as below :



- fix all in the frame
- connect the earth (figure A & B)

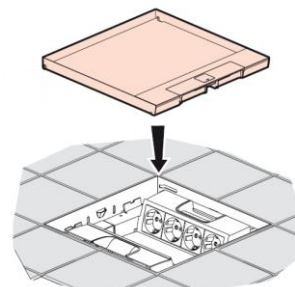


b) fix the support with the screws (figure 3)



c) assembly of the lid and trim

- clip the lid and trim on frame



SCREED FLOOR BOXES
Flush range



Number(s) : 0 880 00 to 08 – 0 880 15 to 17 – 0880 20 to 25 – 0 880 30 to 32 – 0 880 36 to 38 – 0 880 42 to 55 – 0 880 57 – 0 880 80 to 83 – 0 880 85/86/88 – 0 880 89 to 92 – 0 880 95 – 0 880 98/99 – 0 881 03 to 08 – 0 881 20 to 27 – 0 881 44 to 50 – 0 881 90 to 92

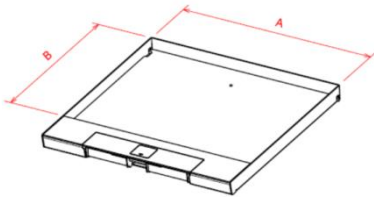
5. FLUSH FLOOR BOX RANGE

5.1 Lid and trim

5.1.1 Metal boxes

2 versions	8/12M	12/18M	16/24M
Metal stainless	0 881 03	0 881 04	0 881 05
Metal brass*	0 881 06	0 881 07	0 881 08

* Brass Raw Brushed : material which evolves with time : it gets veiled and takes a patina. However a regular cleaning can restore its initial appearance (cf page 69 "Cleaning")



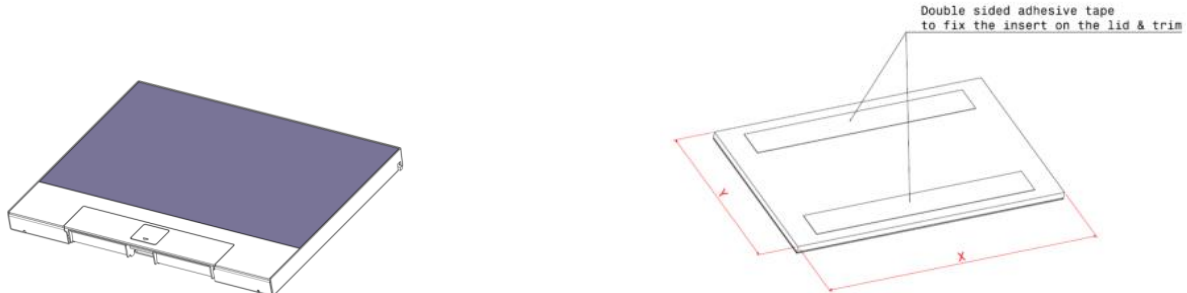
References	A	B
0 881 03 / 06	258.5	126.3
0 881 04 / 07	258.5	164.3
0 881 05 / 08	258.5	209.3

5.1.2 Finishing plates

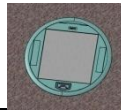
<p>Use our finishing plates or another coating : depth will not exceed 15 mm</p>		<p>Remove the double sided adhesive tape (A)</p> <p>Turn over the plate at 180° (B)</p> <p>Press the finishing plate on the top part of the lid and trim (C)</p>
		<p>⚠ Remove protection adhesive tape from finishing lids and plates ONLY WHEN THE BUILDING IS READY TO RECEIVE ITS OCCUPANTS (= heated and normal hygrometry rate 45-65 %)</p>

2 versions	8/12M	12/18M	16/24M
stainless steel finishing plate	0 881 45	0 881 46	0 881 47
brass finishing plate*	0 881 48	0 881 49	0 881 50

* Brass Raw Brushed : material which evolves with time : it gets veiled and takes a patina. However a regular cleaning can restore its initial appearance (cf page 69 "Cleaning")



Références	X	Y
0 881 45/48	257	125
0 881 46/49	257	163
0 881 47/50	257	208



1. BACK BOX RANGE

2 kinds of fitting	Reference numbers of universal back boxes and adaptation plate to use	Back box drawing
Adjustable Horizontal	0 880 80 + 0 880 89	<p>0 880 80 + 0 880 89</p>
Fixed Vertical	0 880 80 + 0 880 89	

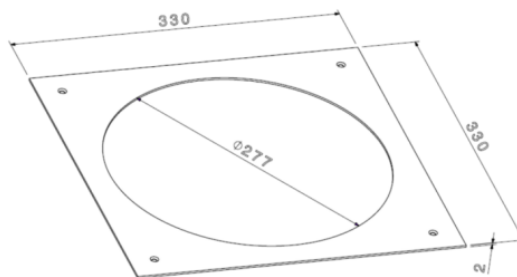
1.1 Universal back boxes reference number 0 880 80

1.1.1 Dimensions (see page 30)

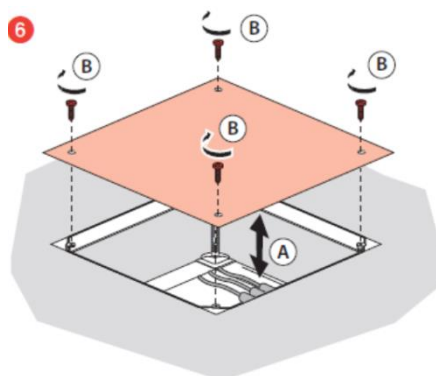
1.1.2 Pouring concrete (see pages 30 to 32)

1.2 Adaptation plate reference number 0 880 89

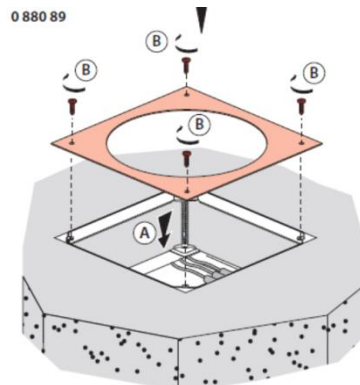
Dimensions



Installation



Remove the screws



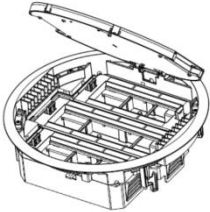
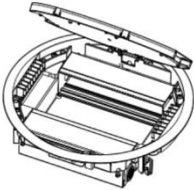
Add the accessory number 0 880 89

SCREED FLOOR BOXES
Round range

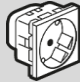
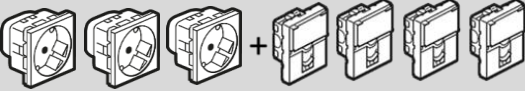
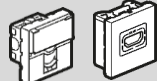


Number(s) : 0 880 00 to 08 – 0 880 15 to 17 – 0880 20 to 25 – 0 880 30 to 32 – 0 880 36 to 38 – 0 880 42 to 55 – 0 880 57 – 0 880 80 to 83– 0 880 85/86/88 -0 880 89 to 92 – 0 880 95 - 0 880 98/99 – 0 881 03 to 08 – 0 881 20 to 27 – 0 881 44 to 50– 0 881 90 to 92

2. FRAMES & WIRING DEVICES RANGE

2 kinds of supports	Support drawing	References numbers of support to use	Number of modules	Reference number of universal back boxes and adaptation plate to use
Adjustable Horizontal	delivered with empty baskets 	0 881 26	20	0 880 80 + 0 880 89
Fixed Vertical	delivered with empty frames 	0 881 27	up to 16 (look at hereunder board)	0 880 80 + 0 880 89

Capacity of floor box nr 0 88 127
depending on configuration for optimized cabling operations

Wiring accessories	Capacity (maximum number of modules)
2P+E sockets only* 	12M (2 x 6)
Mix 	14M (6 + 8)
Data Sockets only 	16M (2 x 8)

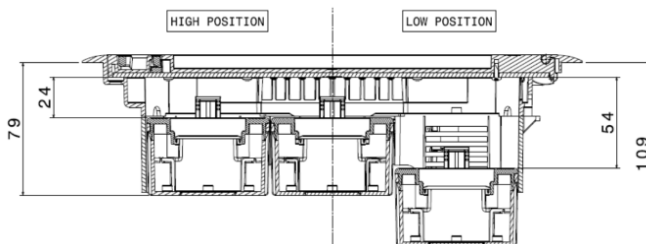
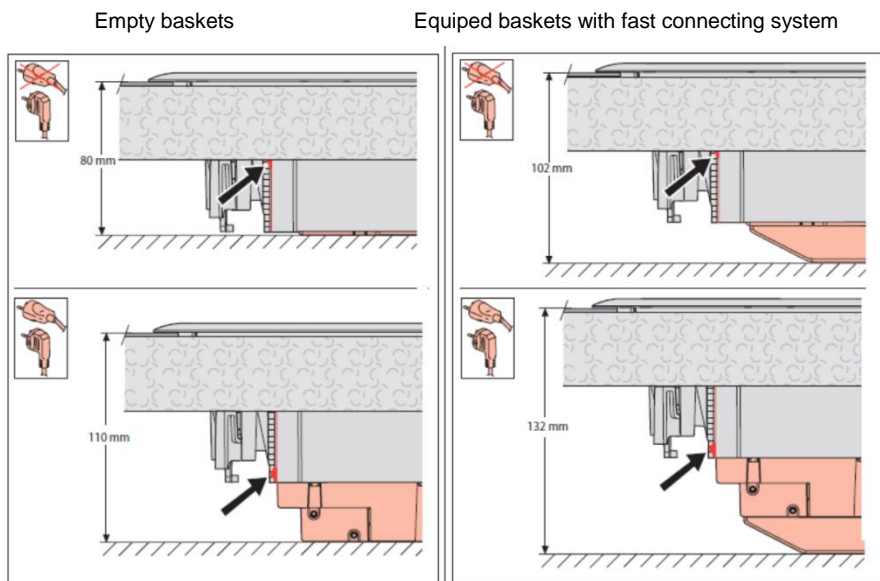
* In order to connect all types of user plugs (straight and angle) and to be able to close correctly the lid, we advise to use 2 P+E sockets, 45° inclined version with upward earth pin, as below :



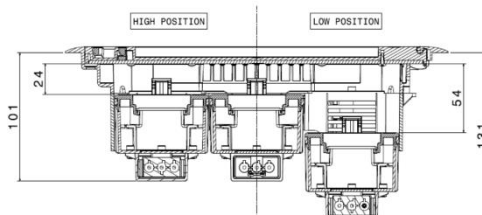


3. FRAMES & WIRING DEVICES DIMENSIONS

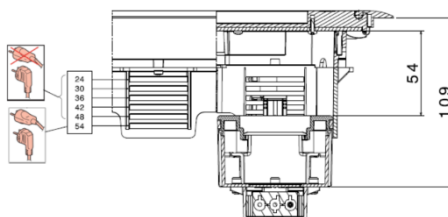
3.1 Adjustable horizontal frame reference number 0 88 126



Fast connecting system



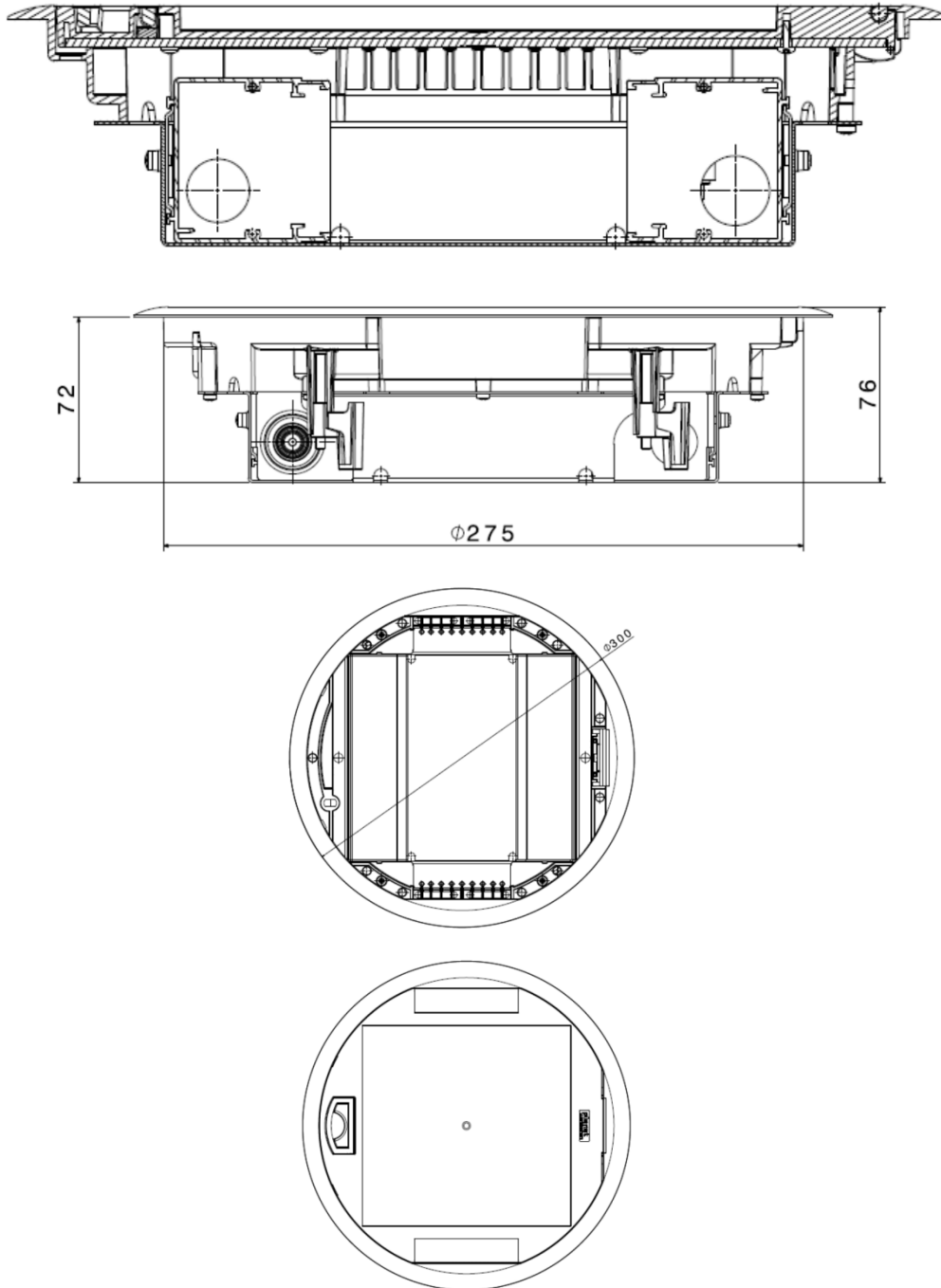
Dimensions (mm) of the different positions of the module





3. FRAMES & WIRING DEVICES DIMENSIONS (cont.)

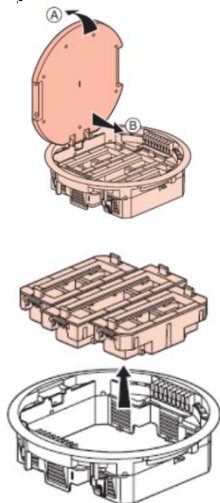
3.2 Fixed vertical frame reference number 0 88 127





4. INSTALLATION

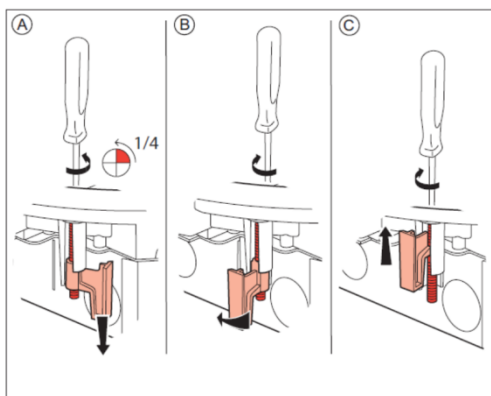
4.1 Assembly of the adjustable horizontal floor box



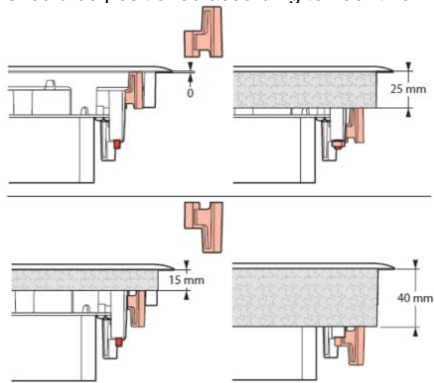
- Fix the box with the 4 screws



- Do a reverse quarter turn to unlock the clamp and screw



- The clamp should be positioned according to floor thickness

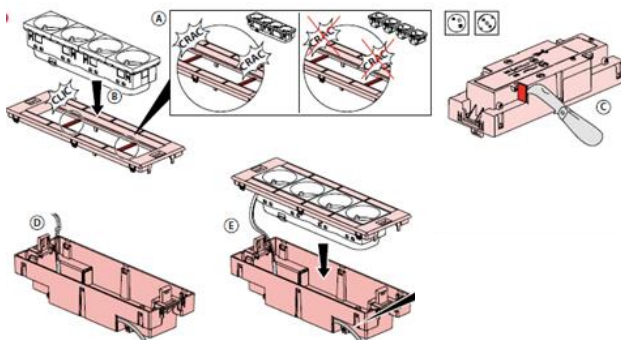


4. INSTALLATION (cont.)

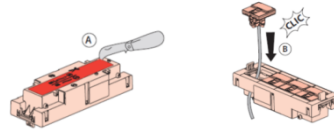
4.2 Wiring devices

a) Connection of baskets

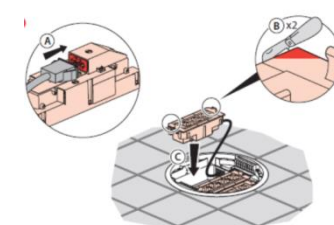
- 2P+E sockets only :
 - Clip the sockets in the support (figure B) (in case of unitary sockets DO NOT BREAK the trigger guards (figure A))
 - remove side cap (figure C)
 - pass the cable through the entry (figure D)
 - cable the sockets and clip the whole into the basket (figure E)



- For DATA sockets only :
 - the lateral cable entries can be used OR an arrival of cables from the bottom is possible :
 - remove the inferior part (figure A)
 - connect the mechanisms (figure B)



- For equipped and pre-wired sockets with fast connecting system

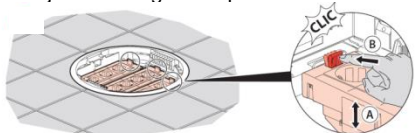


b) fitting in the frame

- insert basket in the frame

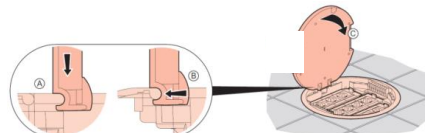


- adjust the height and push to fix



c) assembly of the lid and trim

- Clip the lead on the frame

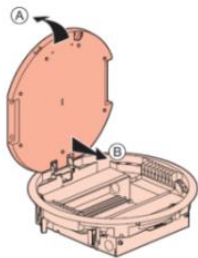




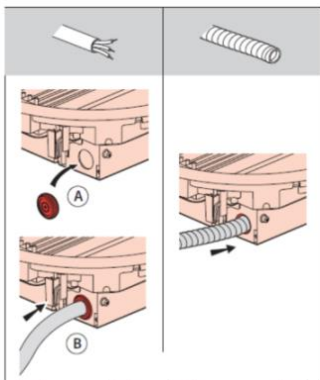
4. INSTALLATION (cont.)

4.2.2 Assembly of the vertical mounting floor box

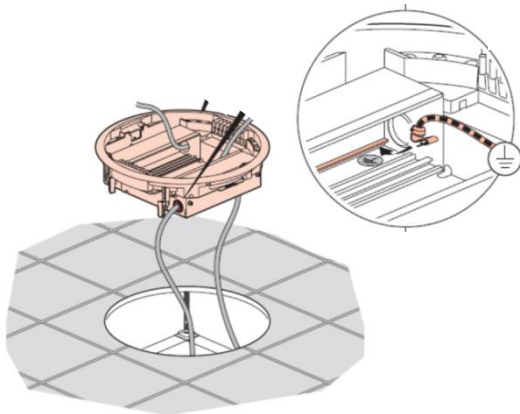
- Remove the lead cover



- A) If you use cable, add the cable protection
- B) Insert cable



- Connect mechanism and the earth pin

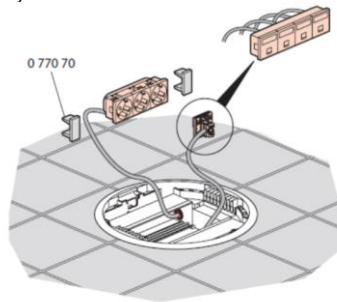


- For socket, capacity is 6 modules, so use the blanking plate.
- In order to connect all types of user plugs (straight and angle) and to be able to close correctly the lid, we advise to use 2 P+E sockets, 45° inclined version with upward earth pin, as below :

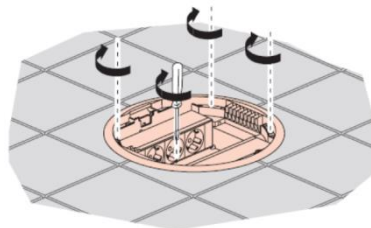


4. INSTALLATION (cont.)

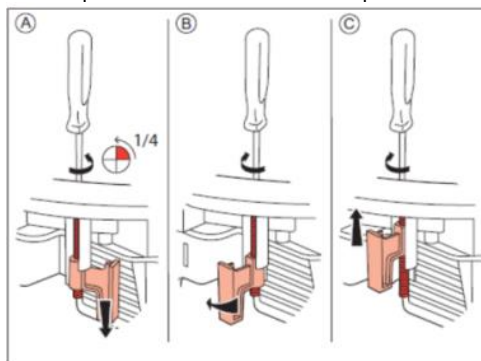
For data, capacity is 8 modules



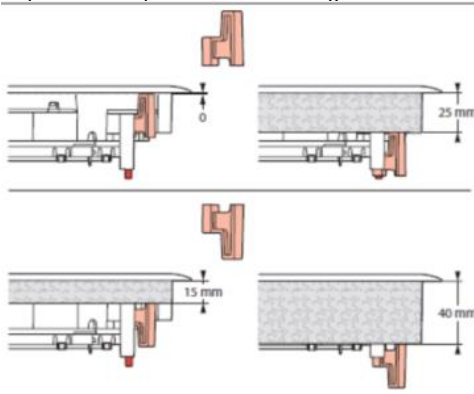
- Fix the box in floor with the 4 screws



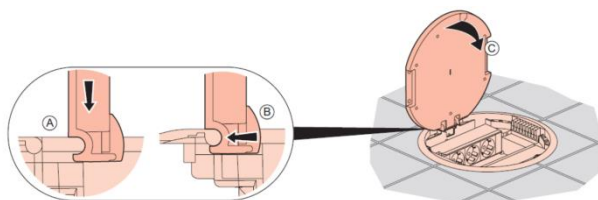
- Do a reverse quarter turn to unlock the clamp and screw



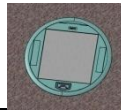
- The clamp should be positioned according to floor thickness



- Clip the lead on the frame



SCREED FLOOR BOXES
Round range



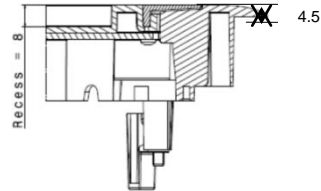
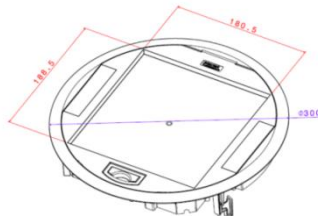
Number(s) : 0 880 00 to 08 – 0 880 15 to 17 – 0880 20 to 25 – 0 880 30 to 32 – 0 880 36 to 38 – 0 880 42 to 55 – 0 880 57 – 0 880 80 to 83 – 0 880 85/86/88 – 0 880 89 to 92 – 0 880 95 – 0 880 98/99 – 0 881 03 to 08 – 0 881 20 to 27 – 0 881 44 to 50 – 0 881 90 to 92

5. ROUND FLOOR BOX RANGE (cont.)

5.1 Lid & trim

5.1.1 Plastic lid & trim

2 versions	Reference numbers
Adjustable horizontal	0 88 126
Fixed vertical	0 88 127



5.2 Locking system

	with key	without key
For plastic boxes	0 880 98	0 880 99

Installation of locking system

	0 880 98		0 880 99
Remove the lid		Remove the lid	
Make a hole with a diameter of 20 mm with a step drill at the lock place inside the lid		Make a hole with a diameter of 20 mm with a step drill at the lock place inside the lid	
Insert in the keyhole the adaptation ring delivered with the lock		Insert in the keyhole the adaptation ring delivered with the lock	
Unscrew the locker nut Insert the locker in the adaptation ring (A) Screw the nut on the locker (B) Add the ring (C)		Insert the bolt in the adaptation ring (A) Using a circlip pliers to install the circlips (B) Add the ring (C)	
Assemble the lid and trim		Assemble the lid and trim	
Opened position : if cable are connected, lid and trim shouldn't be locked		Opened position : if cable connected, lid and trim should not be locked	
Closed position : cable shouldn't be connected		Closed position : cable should not be connected	



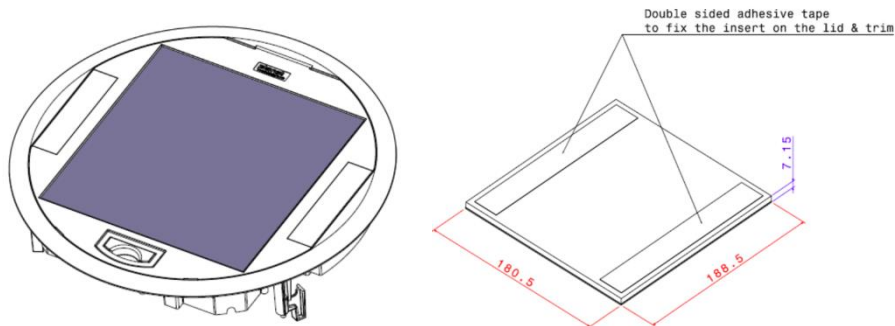
5. ROUND FLOOR BOX RANGE (cont.)

5.3 Finishing plates

<p>Use our finishing plates or another coating : depth will not exceed 8 mm</p>		<p>Remove the double sided adhesive tape (A)</p> <p>Turn over the plate at 180° (B)</p> <p>Press the finishing plate on the top part of the lid and trim (C)</p> <p>⚠ Remove protection adhesive tape from finishing lids and plates ONLY WHEN THE BUILDING IS READY TO RECEIVE ITS OCCUPANTS (= heated and normal hygrometry rate 45-65 %)</p>
---	--	---

For plastic lid & trim

1 version	Reference number
stainless steel finishing plate	0 881 44



TECHNICAL CHARACTERISTICS

Classification Floor boxes according to the IEC 60670-1 et IEC 60670-23 standard :

7.1 The nature of their material	Composite
7.2 The method of installation	Flush, semi-flush or embedded in non-combustible floors
	Placement suitable for installation into concrete during the casting process
	Floor boxes or enclosures installed in floor subjected to dry treatment
7.3 The type of inlets (outlets)	Without inlets. Inlet openings will be made during installation
7.4 The clamping means	With clamping means
7.5 The minimum and maximum temperatures during installation	-5°C to +60°C
7.6 The maximum temperature during the casting process	+60°C
13 Protection against ingress of solid objects & against harmful ingress of water	IP30 cover closed / IP20 cover opened
15.101 Resistance to vertical load through a small surface	500 N

Floor boxes Classification according to the Standard EN 50085-1

Maximum vertical load following Standard EN 50085	References of the lid&trim	small surface (1 cm ²)	large surface (Ø 130 mm)
Floor box Standard plastic	0 880 00 to 0 880 02	1500 N	3000 N
Floor box Standard Metal	0 88 003 to 0 880 08	1500 N	5000 N
Floor box Flush Metal	0 88 103 to 0 88 108	2500 N	5000 N

Protection class :

- Protection to **IP30** with the cover closed
- Protection to **IP20** with the cover opened
- Protection to **IP24** of sockets outlets with the cover closed
- Resistance to impacts **IK 08** with the cover closed

Self-extinguishing : + 650° C / 30 s for parts made of insulating materials according to EN60095-2-11

The inlets of conduits or cables are pre-cutting for a easier installation

Safety :

Check that the system is earthed

Cleaning :

- Do not use abrasive products or detergents
- Brushed Brass Finishes : Use a special copper cleaner with an antioxidant formula such as "Mirror copper cleaner" or equivalent.
- Scrub with a soft brush in the direction of the finish brushing.

MATERIAL CHARACTERISTICS

Standard range	Flush range	Round range
<ul style="list-style-type: none"> * Plastic materials : ABS * Plastic materials TPEE * Plastic materials PP 6.6 glass fibers * Galvanized steel (Z140) * Stainless steel * Galvanized steel (Z275) * Brass 	<p>Floor boxes Material list</p> <ul style="list-style-type: none"> * Plastic materials : ABS * Galvanized steel (Z140) * Stainless steel * Galvanized steel (Z275) * Brass 	<ul style="list-style-type: none"> * Plastic materials : ABS * Plastic materials TPEE * Zamak * Galvanized steel (Z140) * Aluminium trunking
<ul style="list-style-type: none"> * Galvanized steel (Z140) * Plastic materials : ABS 	<p>Back boxes Material list</p> <ul style="list-style-type: none"> * Galvanized steel (Z140) * Plastic materials : ABS 	<ul style="list-style-type: none"> * Galvanized steel (Z140) * Plastic materials : ABS