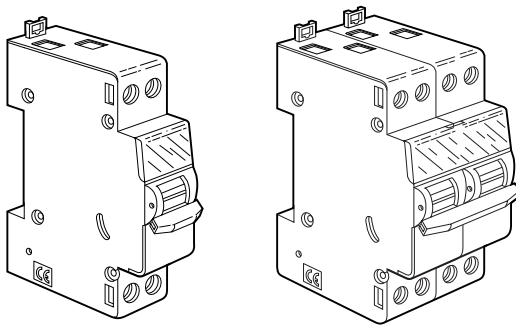


CX³ Two-way changeover switches

Catalogue number(s): 4 129 00 - 4 129 01 - 4 129 02 -
4 129 03 - 4 129 04



CONTENTS

Page

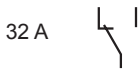
1. Description - Use	1
2. Range	1
3. Overall dimensions	1
4. Preparation - Connection	1
5. General characteristics	2
6. Compliance and approvals	3
7. Equipment and accessories	3

1. DESCRIPTION - USE

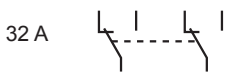
Changeover switch used to switch one or several circuits.

2. RANGE

4 129 00: Two-way switch, 250 V~ - 1 mod



4 129 01 : Double two-way switch, 400 V~ - 2 mod



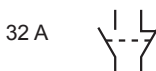
4 129 02: Two-way switch with centre-point, 250 V~ - 1 mod



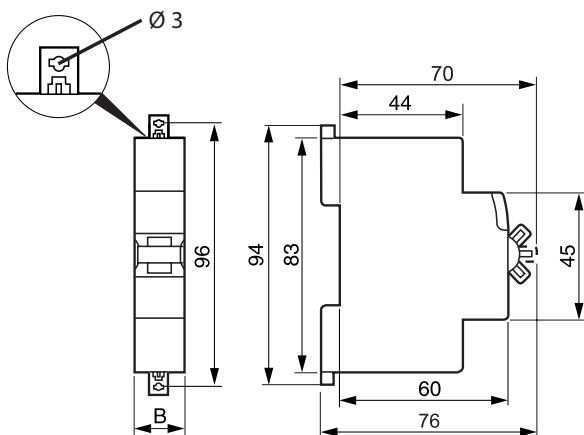
4 129 03: Double two-way switch with centre-point, 400 V~ - 2 mod



4 129 04: NO + NC switch, 250 V~ - 1 mod



3. OVERALL DIMENSIONS



	B
4 129 00/02/04	17.7
4 129 01/03	35.6

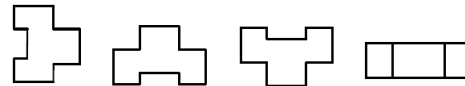
4. PREPARATION - CONNECTION

Mounting

- On EN 60715 or DIN 35 symmetrical rail
- With Ø 3 screws on plate using ends of released claws

Operating positions

- Vertical
- Horizontal
- Upside down
- On the side



Power supply

- 4 129 00/01/02: via the top
- 4 129 03: via the top (possibly via the bottom in specific cases)
- 4 129 04: via either the top or bottom

Module maintenance

A changeover switch with 1/2 module per pole can be replaced in the middle of a row of supply busbars without disconnecting the other products. This method is valid for single-pole and double-pole switches.

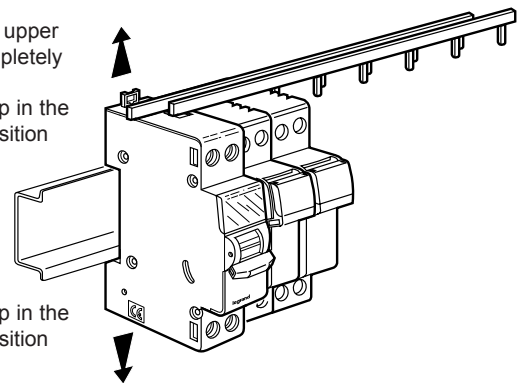
- 4 129 00/01/02/03:

Terminal alignment and spacing allows connection via a busbar with other products in the range.

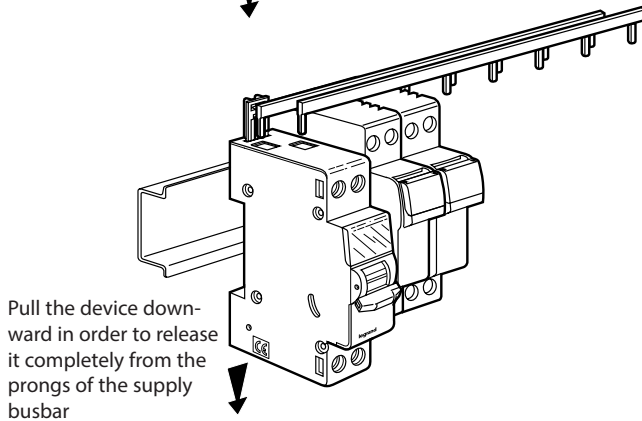
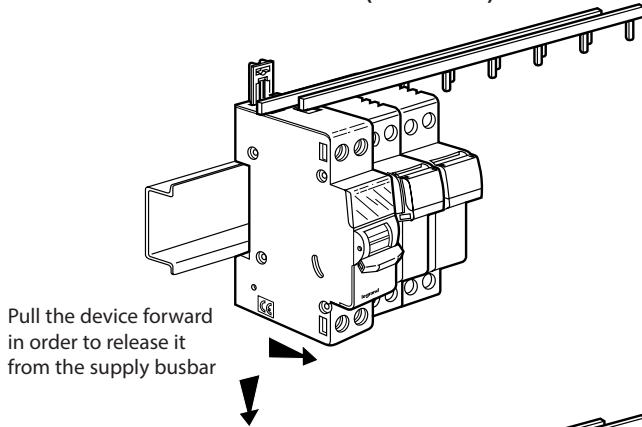
Unscrew the upper terminal completely

Put the clamp in the unlocking position

Put the clamp in the unlocking position



4. PREPARATION - CONNECTION (continued)



Connection

- Terminals protected against direct finger contact IP20, with device wired
- Cage terminals with quick release captive screws
- Terminals fitted with flaps preventing a cable being placed under the terminal, with the terminal partly open or closed
- Terminal alignment and spacing allows connection via prong-type supply busbars with other products in the range except for Cat. No. 4 129 04.
- Terminal depth: 14 mm
- Screw head: combined Pozidriv
- Tightening torques:

Min.	0.8 Nm
Max.	1.8 Nm
Recommended	1.2 Nm

Type of conductor

Flexible with cable ends	1.5 to 6 mm ²
Rigid	1.5 to 6 mm ²

Recommended tools

Flat screwdriver	Ø 4 mm
Pozidriv screwdriver	PZ 1

Manual actuation of the device

- 4 129 00/01/04:
Via 2-position handle: I - II
- 4 129 02/03:
Via 3-position handle: I - 0 - II

4. PREPARATION - CONNECTION (continued)

Contact status display

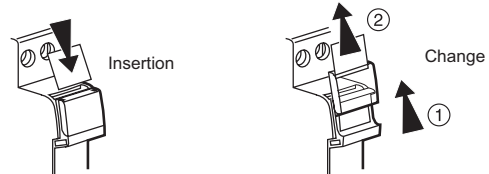
- By marking on the handle

Padlocking

- Possible for preventing switching
- Not possible for safety maintenance

Labelling

- Circuit identification by way of a label inserted in the label holder situated on the front of the product



5. GENERAL CHARACTERISTICS

Marking on the front

- By permanent pad printing



Marking on the top

- By permanent pad printing



Rated current

- 32 A: with resistive load
- 20 AX: with fluorescent load

Operating voltage

- Single pole: U_e = 250 V~
- Double pole: U_e = 400 V~

Overvoltage category

- 4 kV~

Rated frequency

- 50/60 Hz with standard tolerances

Short-circuit characteristics

- According to IEC/EN 60947-3:
I_{cw} = 384 A

Dielectric strength

- U_i = 2 kV~

Utilisation category

- AC22: mixed loads
- A: frequent operations

5. GENERAL CHARACTERISTICS (continued)

Pollution degree

. 2

Dissipated power per pole

. 1.5 W

Protection index or class

- . Terminals protected against direct contact, protection index against solid objects and liquids (wired device): IP20 in accordance with standards IEC 529 - EN 60529 and NF 20-010
- . Class II in relation to metal conductive parts
- . Protection index against mechanical impacts IK04 in accordance with standard EN 62262

Plastic materials

- . PC
- . Zero-halogen plastic materials

Enclosure resistance to heat and fire

- . Resistance to incandescent wire tests at 960°C, in accordance with standard IEC 60695-2-10 and 60695-2-11

Ambient temperatures

- . Operation from -5°C to +40°C
- . Storage from -10°C to +70°C
- . The following climatic conditions can affect device performance: hot and dry; cold and dry; hot and humid; salt spray

Volume when packed

- . Single pole:
 - . packaging: by 10
 - . volume: 1.6 dm³
- . Double pole:
 - . packaging: by 5
 - . volume: 1.6 dm³

Average unit weight

- . 1 module: 65 g
- . 2 modules: 130 g

Distance between contacts Cat. No. 4 129 03

- . The distance between the contacts allows two different power supplies to be used.

6. COMPLIANCE AND APPROVALS

Compliance with standards

- . IEC/EN 60669-1

Respect for the environment - Compliance with European Union Directives

- . Compliance with Directive 22002/95/EC of 27/01/03 known as "RoHS" which provides for a restriction on the use of hazardous substances such as lead, mercury, cadmium, hexavalent chromium and polybrominated biphenyl (PBB) and polybrominated diphenyl ether (PBDE) brominated flame retardants from 1st July 2006
- . Compliance with Directive 91/338/EC of 18/06/91 and decree 94-647 of 27/07/04

Packaging

- . Design and manufacture of packaging compliant with decree 98-638 of 20/07/98 and Directive 94/62/EC

Approvals obtained

- . See list of available approvals

7. EQUIPMENT AND ACCESSORIES

Wiring accessories

- . supply busbars
- . incoming terminals

Installation software

- . XL PRO³